



VITA-PREP® AND VITA-PREP® 3

VM0101D and VM0103D

SECTIONS

English.....	1
German.....	7
Swedish.....	13
French.....	19
Russian.....	25
Spanish.....	31
Italian.....	37
Portuguese.....	43
Arabic.....	49

SYMBOLS

	Warning		Caution
	NEVER touch moving parts. Keep hands and utensils out of the container		Operate with the lid and lid plug in place
	Electric Shock Hazard		Read and understand the owner's manual
	High temperature when blending hot liquids		Do not immerse
	DO NOT insert items into the container while the blender is in use		On/Off
	Unplug while not in use, before cleaning, changing accessories or touching parts that move while the blender is in use		

RECYCLING INFORMATION

This product has been supplied from an environmentally aware manufacturer.

This product may contain substances that could be harmful to the environment if disposed of in places (landfills) that are not appropriate according to legislation.

The 'crossed-out wheelee bin' symbol is placed on this product to encourage you to recycle wherever possible.

Please be environmentally responsible and recycle this product through your recycling facility at the end of its life.



Vita-Mix® Corporation Commercial Division

8615 Usher Road, Cleveland, Ohio 44138 U.S.A.

Tel (US & Canada): +1 800 437 4654

Tel (International): +1 440 782 2450

Tech Service: +1 800 886 5235

Email: commercial@vitamix.com

commercialts@vitamix.com

To see the complete line of Vitamix products, visit vitamix.com.

⚠ WARNING



To Avoid Injury.

Read and understand the instruction manual before using this machine. Basic safety precautions should be followed, including the following.



⚠ WARNING



Electrical Shock Hazard.

ONLY use an earthed outlet.

DO NOT remove the earth.

DO NOT use an adapter.

DO NOT use an extension cable.

Failure to follow instructions can cause death or electric shock.

READ ALL THE INSTRUCTIONS, SAFEGUARDS AND WARNINGS BEFORE OPERATING THE BLENDER.

1. Read all instructions.
2. Close supervision is necessary when any appliance is used by or near children or incapacitated persons.
3. This blender is not intended for use by persons with reduced physical, sensory or mental capabilities, or lack of experience and knowledge, unless they have been given supervision or instruction concerning use of the appliance by a person responsible for their safety.
4. To protect against the risk of electrical shock, do not put the blender base in water or other liquid.
5. Unplug the appliance from the socket when not in use, before putting on or taking off parts and before cleaning.
6. Avoid contact with moving parts.
7. DO NOT operate any appliance with a damaged cable or plug, or if the appliance malfunctions or is dropped or damaged in any manner. Contact your retailer or distributor at once for examination, repair, replacement or electrical or mechanical adjustment.
8. Alteration or modification of any part or component of the blender assembly, including the use of any part, component or accessory that is not a genuine authorised Vitamix part, may cause fire, electric shock or injury.
9. The use of attachments that are not expressly authorised or sold by Vitamix for use with this blender, including preserving jars, may cause fire, electric shock or injury.
10. If your machine is equipped with a variable-speed functionality, always start at the lowest speed setting.
11. DO NOT use the appliance for purposes other than its intended use.
12. The maximum normal load is equivalent to the litres listed on the container, i.e. 2.0 L., 1.4 L. and substantially less with thick mixtures.
13. DO NOT use outdoors.
14. DO NOT let the cable hang over the edge of the table or work surface or make contact with hot surfaces, including the hob.
15. Keep hands and utensils out of the container while blending to reduce the risk of severe injury to persons or damage to the blender. The tamper can be used during blending in the container. A rubber scraper or spatula may be used, but only when the blender is not running. Do not leave a tamper, scraper or any other utensil in the container either when running or when the motor is stopped.
16. Blades are sharp. When cleaning the container, use care to avoid injury.
17. To reduce the risk of injury, never place the blade assembly on the motor base unless assembled to the container.
18. DO NOT leave foreign objects, such as spoons, forks, knives or the lid plug, in either container as this will damage the blades and other components when starting the machine, and may cause injury.
19. Never attempt to operate the blender with damaged blades.
20. The lid and lid plug MUST be firmly in place during blending. The lid plug should be removed only when adding ingredients and when using the tamper.
21. When making nut butters or oil-based foods, do not process for more than one minute after the mixture starts to circulate in the container. Processing for longer periods can cause dangerous overheating.
22. **WARNING:** When processing hot liquids:
 - The two-part latching lid must be securely locked in place. This allows steam to escape naturally and will prevent the lid from coming off when the machine is turned on.
 - Do not start processing hot liquids on a HIGH speed. Always start processing hot liquids on a LOW speed, then switch to HIGH while the machine is running.
 - Use caution with hot liquids. Liquids may spray from under the lid plug or escaping steam may cause scalding.
 - Do not process hot ingredients with the Vitamix non-latching lid.

**SAVE THESE INSTRUCTIONS
IMPORTANT NOTES!**

The instructions appearing in this Use and Care Manual cannot cover every possible condition and situation that may occur. Common sense and caution must be practised when operating and maintaining any appliance.

IMPORTANT INSTRUCTIONS FOR SAFE USE

Do not leave your Vitamix blender unattended when operating. Any repair and servicing, or the replacement of parts, must be performed by Vitamix or an authorised service representative. **NOTICE:** FAILURE TO FOLLOW ANY OF THE IMPORTANT SAFEGUARDS AND IMPORTANT INSTRUCTIONS FOR SAFE USE IS A MISUSE OF YOUR VITAMIX BLENDER THAT CAN VOID YOUR WARRANTY AND CREATE THE RISK OF SERIOUS INJURY.

Maintaining your Vitamix® Blender

In order to maximise the life of and keep your Vitamix® product in good working order, it is important that you follow a few simple maintenance tips:

1. Periodically inspect the drive socket for visible wear and tear, cracks or breaks to the socket. If damage is found, replace the drive socket with the extra drive socket enclosed with your blender. To purchase additional replacement drive sockets contact Vita-Mix® Corporation (hereinafter 'Vitamix') on +1 800 437 4654. For customers outside the U.S.A., contact your authorised Vitamix Distributor, or call the Vitamix International Division on +1 440 782 2450 or email commercial@vitamix.com (US & Canada) international@vitamix.com (outside of US and Canada) for assistance.
2. Manually rotate the blade-bearing assembly to make sure that it turns without hesitation or doesn't spin too freely. If the blade hesitates or spins too freely, contact Vitamix for warranty information or to find a dealer near you.
3. Never run the machine without the centring pad properly placed on the base and never remove the container from the base before the blades have stopped moving.

Limited Warranty - (Unless otherwise covered by a Contract)

Vita-Mix® Corporation (hereinafter 'Vitamix') warrants to the original end user ('Purchaser') that its commercial Vitamix blenders (consisting of a motor base, container and lid, hereinafter collectively referred to as the 'Equipment') will be free from defects in material and workmanship for the warranty periods applicable to the Equipment as described herein and subject to the conditions set forth below. Proof of purchase is required.

The following are the sole remedies of the Purchaser and set forth the only warranty obligations of Vitamix.

No employee of Vitamix or any other person is authorised to make any warranty in addition to or amendment of the following warranties.

What is Covered Under the Warranty

A. Motor Base (which includes the control board and touch pad) Warranty

Vitamix warrants to the original end user that:

- If the motor base fails due to defects in material or workmanship within thirty (30) days from the date of purchase, then Vitamix will replace the motor base with a new motor base.
- If the motor base fails due to defects in material or workmanship after thirty (30) days from the date of purchase but within one (1) year from the date of purchase, then Vitamix will assume the cost of all parts and labour necessary to repair the motor base.
- If the motor base fails due to defects in material or workmanship after the first year but within three (3) years from the date of purchase, then Vitamix will assume the cost of all parts necessary to repair the motor base.

B. Container, Lid, Lid Plug, Centring Pad Blade Assembly, Drive Socket and Sound Enclosure (if included) Warranty. Vitamix warrants to the original end user that if a sound enclosure, container, lid, blade assembly or drive socket fails due to a defect in materials or workmanship within one (1) year from the date of purchase, Vitamix will assume the cost of all parts and labour necessary to repair the component.

The sole obligation of Vitamix under these warranties is to repair or replace the warranted part or parts as determined exclusively by Vitamix.

IN NO EVENT, WHETHER BASED ON CONTRACT, INDEMNITY, WARRANTY, TORT (INCLUDING NEGLIGENCE), STRICT LIABILITY OR OTHERWISE, SHALL VITAMIX BE LIABLE FOR ANY SPECIAL, INDIRECT, INCIDENTAL OR CONSEQUENTIAL DAMAGES WHATSOEVER INCLUDING, WITHOUT LIMITATION, LOSS OF PROFIT OR REVENUE. THE ABOVE LIMITED WARRANTY IS YOUR EXCLUSIVE REMEDY, AND YOU AND VITAMIX HEREBY EXPRESSLY DISCLAIM ALL OTHER WARRANTIES OR CONDITIONS, EXPRESS OR IMPLIED, STATUTORY OR OTHERWISE, INCLUDING ANY IMPLIED WARRANTY OF MERCHANTABILITY AND ANY IMPLIED WARRANTY OF FITNESS FOR A PARTICULAR PURPOSE, AND, WITHOUT LIMITING THE GENERALITY OF THE FOREGOING, YOU AND VITAMIX HEREBY EXPRESSLY EXCLUDE, TO THE EXTENT PERMITTED BY LAW, THE APPLICATION OF ANY SALE OF GOODS LEGISLATION AND THE UNITED NATIONS CONVENTION ON CONTRACTS FOR THE INTERNATIONAL SALE OF GOODS, AS MAY BE APPLICABLE.

Some jurisdictions do not allow a limitation on implied warranties or on special, incidental or consequential damages.

What is Not Covered Under Warranty (Coverage Exclusions)

These warranties do not include repairs needed due to:

- A. Normal wear-and-tear;
- B. Abuse, misuse, negligent use;
- C. Alteration of the Equipment, including but not limited to the motor base, container, lid or sound enclosure;
- D. Exposure to extreme conditions; or
- E. Improper installation of the Equipment, including but not limited to poor workmanship, not following the specifications provided and/or inadequate ventilation of the 'in-counter' models of the blending unit.

When do the Warranties Apply (Coverage Conditions)

The warranties contained herein run only to the original end user and are not transferable. To make a warranty claim, proof of purchase is required.

Any warranty offered by Vitamix is only valid if used in accordance with: a) the owner's manual that may also be accessed at www.vitamix.com; b) the express warranty; and c) any and all maintenance instructions regardless of when they are supplied.

What Causes the Warranty to be Void

All product warranties are void if:

- The blender is placed in a sound enclosure not manufactured by Vitamix.
- Any component of a covered piece of Equipment or part has been modified, altered, 'reconditioned' or repaired by persons other than Vitamix, an authorised Vitamix Service Centre or an authorised Vitamix Distributor.
- Any covered Vitamix component is used with a component not expressly authorised in writing by Vitamix (i.e. using a Vitamix container with a non-Vitamix motor base and/or using a Vitamix motor base with a non-Vitamix container); or
- Any part of the blender is improperly installed, including but not limited to poor workmanship, not following specifications provided and/or inadequate ventilation of the 'in-counter' models.

How to Obtain Warranty Coverage and Repair

Who to Contact For Warranty Service and Repair. In the event that your Vitamix blender needs service or repair covered by the terms of this warranty, please call the Vita-Mix Corporation, an authorised service centre or a local distributor for warranty assistance.

- For Equipment purchased and located in the US and Canada, call Vitamix Commercial Customer Services on: 800 437 4654.
- If purchased outside the continental U.S.A., contact your authorised Vita-Mix Distributor, or telephone the Vita-Mix International Division on +1 440 782 2450 or email international@vitamix.com to find a distributor near you.

You will be asked to provide proof of purchase for the Equipment. If the remote technical support team cannot fix the Equipment remotely, the Equipment will need to be serviced. The team will help you to either locate an authorised service centre or arrange for the Equipment to be shipped back to Vitamix.

How to Ship the Equipment to Vitamix for Service

- A. Obtain a Return Authorisation Number Before Shipment. Do not return or send in Equipment without approval from Vitamix. Under no circumstances will Vitamix be responsible for the cost of any unauthorised repairs. All Equipment returns must have the Return Authorisation Number ('RA') clearly marked on the outside of the box. Any Equipment that is sent to Vitamix without prior authorisation or approval will be returned to the sender's address 'as is' without repair.
- B. Properly Package The Returned Item. Any item sent to Vitamix must be sent in the original or sufficient packaging.

1 **On/Off Switch:** Push up to turn On (I). Push down to turn Off (O).

2 **Control Panel:** For more information, refer to the Control Panel.

⚠ **CAUTION:** Lids and tampers are not interchangeable between different container styles, types and sizes.

3 **2-litre capacity container with 2-part lid:**

- **Always use the lid and the lid plug when the machine is operating.**
- **Never operate the blender without the lid securely locked in place.**
- Ounces, Millilitres and Cups are clearly marked.
- Insert the lid plug through the lid and secure by turning clockwise.
- Remove the lid plug to use the tamper or to add ingredients.

4 **Tamper:** Using the tamper maintains circulation by preventing air pockets from forming.

5 **Two Piece Lid: (lid and lid plug)**

To Lock the Lid in Place: The lid must always be secured when processing, especially when blending hot liquids that may scald. **Never operate the blender without the lid securely locked in place.** The lid has a continuous rim which latches inside the container tabs. Push one side of the rim under one tab and push down over the opposite tab to snap the lid into position.

To Remove the Lid: Place your hands around the lid, pressing your thumbs above one of the container tabs. Push in and lift off.

To Remove the Lid Plug: Rotate the lid plug anti-clockwise from the 'locked' to the 'unlocked' position and lift out.

6 **Power Cable:** *The blender's power cable comes equipped with a three-prong (earthed) plug which mates with a standard three-prong wall socket.* This cable will vary for countries outside the United States of America.

Adapters are available for two-prong outlets. Do not cut or remove the third (earth) prong from the plug or power cable. Consult your electrician if you are not sure if the wall socket is earthed through the building's wiring. With a properly earthed two-prong wall outlet, earth the machine by attaching the tab on the adapter to the wall outlet cover by means of the screw in the centre of the cover.

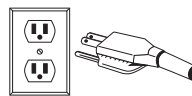
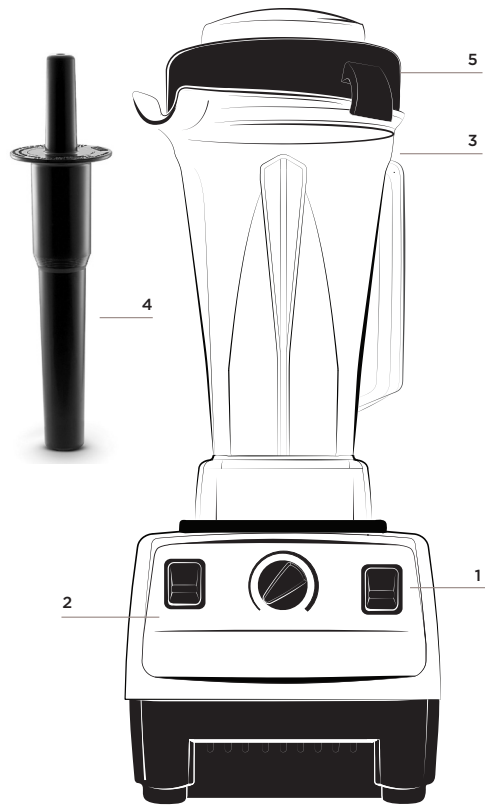


FIGURE A

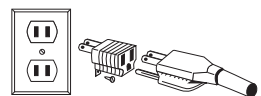
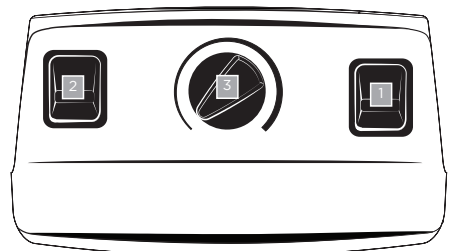


FIGURE B

CONTROL PANEL

- 1 **On/Off Switch:** Push up to turn On (I). Push down to turn Off (O).
- 2 **High/Variable Switch:** High (Δ) is the fastest speed available. Switch to Variable (∟) to activate the variable speeds. **Always make sure that the High/Variable Switch is set to Variable (∟) before lifting the On/Off Switch to the On (I) position.** Do not start your machine on High (Δ) speed.
- 3 **Variable-Speed Dial:** Selects many speed settings. It is active only when the High/Variable Switch is set in the Variable (∟) position.



CAUTION



Rotating Blades Can Cause Damage.

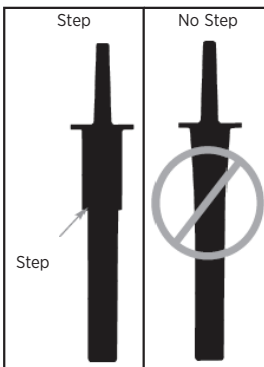
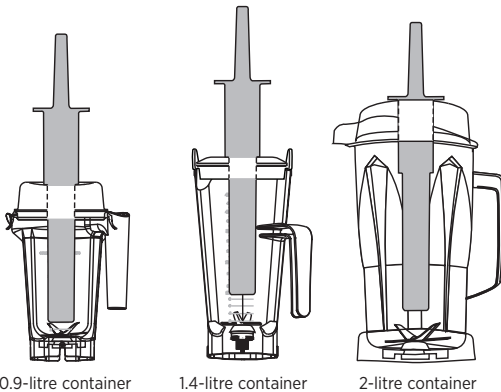
Lids and tampers are not interchangeable between different container styles, types and sizes. Use the tamper that was supplied with your machine.

How to Determine the Tamper to be Used with Your Container

The tamper is designed to be used safely and efficiently with the commercial containers. **If a tamper came with your container, it is the correct tamper for the container.**

To verify that you are using the correct tamper, place the lid on an empty container, remove the lid plug and insert the tamper. The tamper should fit easily into the lid opening but not make contact with the blades no matter how you move the tamper inside the container. **IF THE TAMPER TOUCHES THE BLADES AT ANY ANGLE - DO NOT USE THE TAMPER WITH YOUR CONTAINER.**

If you do not have the correct tamper for your container, contact Vitamix Customer Services in the US and Canada on 800 886 5235 or email commercial@vitamix.com. Outside of the US and Canada on +1 440 782 2450 or email international@vitamix.com. If technical assistance is needed, email: commercialts@vitamix.com.



WARNING



Rotating Blades Can Cause Severe Injury.

DO NOT put hands, spatulas, etc. in the container while the machine is running or while the container is still on the base.

Lids and tampers are not interchangeable between different container styles, types and sizes. Use the tamper that was supplied with your machine.

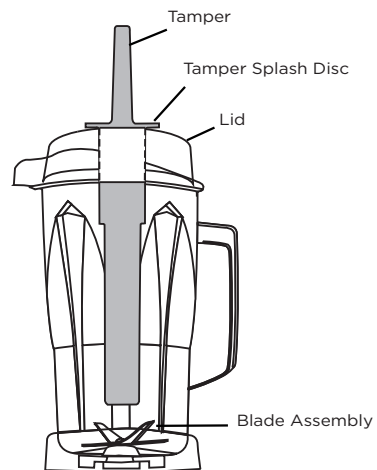
Do not force the tamper into the 0.9-litre container.

Do not use a tamper without a step in any Vitamix commercial container.



IMPORTANT!

- The splash disc (near the top of the tamper) and lid prevent the tamper from hitting the blades when the lid is secured properly in the locked position.
- The container should not be more than two-thirds full when the tamper is used during blending.
- To avoid overheating during blending, **DO NOT** use the tamper for more than 30 consecutive seconds.
- If the food does not circulate, the machine may have a trapped air bubble. Carefully remove the lid plug, while making sure the lid stays firmly in place. Release the air bubble by inserting the tamper through the lid plug opening.
- Holding the tamper straight down may not help the ingredients circulate. If necessary, point the tamper towards the sides or corners of the container. **DO NOT** try to force the tamper more deeply into the container.



⚠ WARNING

The lid plug should be removed only when adding ingredients and when using the tamper.

Always start the blender with the Variable-Speed dial set to 1 and the High/Low switch in the Low position. To avoid burns, never start on speeds above 1 or with the High/Low Switch in the high position when blending hot liquids to avoid possible burns.



- **Process on the High (Δ) setting for as much of the processing time as possible to make whole food juices, soups, shakes, frozen mixtures, purées, nut butters and for grinding grains. Processing times will generally be less than one minute (most take less than 30 seconds).**
 - **TIP: Blending for too long at too low a speed setting will overheat the machine and cause the Automatic Overload Protection to turn the machine off. Blending on High (Δ) uses the motor's cooling fan to avoid overheating.**
 - When on the High (Δ), if the food does not circulate, carefully remove the lid plug while making sure the lid stays firmly in place. Release the mixture by inserting the tamper through the lid plug opening. If circulation problems continue, reduce the machine speed. A lower speed may allow food to circulate when a higher speed does not. Add liquid if necessary. **DO NOT overfill.** Once the food is circulating freely, increase the speed back to High (Δ) and continue processing.
 - When making nut butters or oil-based foods, do not process for more than one minute after the mixture starts to circulate in the container. Processing for longer periods can cause damage to the container and overheating of the motor.
 - **Automatic Overload Protection:** Your Vitamix motor is designed to protect itself from overheating. If the motor shuts off, turn off the power switch for up to 45 minutes to reset.
1. Make sure that the Variable-Speed Dial is set to 1.
 2. Load the container before placing it on the motor base. Place liquids and soft foods in the container first, then solid items and, finally, ice.
 3. Fasten the 2-part lid securely. Always use the complete 2-part lid when blending (unless the tamper is inserted through the lid plug opening). When blending hot ingredients, make sure that the lid is securely latched.
 4. With the motor off, set the wet-blade container on the motor base by aligning it over the centring pad. Do not attempt to put a container on an operating motor base or to operate a motor base without a container properly in place.
 5. Start with the High/Variable Switch in the Variable (Δ) position. Always start your machine on Variable-Speed 1. Activate the machine by turning the On/Off Switch to On (I) then slowly increase to the desired speed. Your container will shift and align itself.
- 6. **Take proper care when handling and processing hot ingredients and making hot soups and sauces.**
 - 7. Due to the machine's speed, processing times are much quicker than standard appliances.
 - 8. After turning the machine off, wait until the blades completely stop before removing the lid or container from the motor base.

⚠ WARNING**Electrical Shock Hazard.**

Unplug before cleaning the machine.

Failure to follow instructions can cause death or electric shock.

**Normal Cleaning:**

1. Fill the container half full of warm water and add a few drops of washing-up liquid to the container. Snap or push the complete 2-Part lid into the locked position.
2. Select Variable-Speed 1. Turn on the machine and slowly increase the speed to Variable-Speed 10, then to High. Run the machine on High Speed for 30 to 60 seconds.
3. Turn off the machine. Rinse and drain the container.

To Sanitize:

1. Complete the Normal Cleaning instructions above.
2. Fill the container half full with water and 1 1/2 teaspoons of liquid bleach. Snap or push the complete 2-Part lid into the locked position.
3. Select Variable-Speed 1. Turn on the machine and slowly increase the speed to Variable-Speed 10, then to High. Run the machine on High for 30 to 60 seconds.
4. Turn off the machine, and allow the mixture to stand in the container for an additional 1 1/2 minutes.
5. Pour out the bleach mixture. Allow the container to air dry. Do not rinse after sanitizing.

Lid, Lid Plug and Tamper

Separate the lid and lid plug. Wash the parts in warm soapy water. Rinse clean under running water, then dry. Reassemble before use.

Motor Base:

1. Unplug the power cable.
2. Wash the outside surface with a damp soft cloth or sponge, which has been rinsed in a mild solution of washing-up liquid and warm water. Do not place the motor base in water.
3. The centring pad can be removed for more thorough cleaning.
4. Thoroughly clean the switches so that they work freely. They may become sticky from use. Moisten a cotton bud with a household degreaser or cleaner and clean the grooves around the switches. Immediately dry all surfaces.
5. Polish with a soft cloth.

SPECIFICATIONS

Volts: 120 VAC
 Amps: 11.5 (2+ peak hp*)
 12.5 (3+ peak hp*)
 Hz: 50/60

Watts: 900 (2+ peak hp*)
 Watts: 975 (3+ peak hp*)
 Hz: 50/60

Volts: 220-240 VAC
 Watts: 750-850 (2+ peak hp*)
 Watts: 1100-1200 (3+ peak hp*)
 Hz: 50/60
 Volts: 100 VAC (Japan)

Volts: 120 VAC EMC (Taiwan)
 Amps: 11.5 (2+ peak hp*)
 Hz: 60

*varies with voltage











VITA-PREP® UND VITA-PREP® 3

VM0101D und VM0103D

KAPITEL

Englisch	1
Deutsch.....	7
Schwedisch.....	13
Französisch.....	19
Russisch.....	25
Spanisch.....	31
Italienisch.....	37
Portugiesisch.....	43
Arabisch.....	49

SYMBOLE

	Warnhinweis		Achtung
	NIEMALS bewegliche Teile berühren. Hände und Utensilien nicht in den Behälter führen		Mixer nur einschalten, wenn Deckel und Verschlusskappe im Deckel fest verschlossen sind
	Gefahr eines Stromschlags		Lesen und verstehen Sie die Bedienungsanleitung.
	Hohe Temperaturen beim Mixen heißer Flüssigkeiten		Nicht in Flüssigkeiten tauchen
	KEINE Gegenstände in den Behälter führen, während der Mixer eingeschaltet ist	I/O	Ein/Aus
	Trennen Sie den Mixer von der Stromversorgung, wenn er sich nicht in Betrieb befindet, sowie vor der Reinigung, dem Austausch von Zubehör oder dem Berühren von Teilen, die sich bei eingeschaltetem Mixer bewegen.		

RECYCLING-INFORMATIONEN

Dieses Produkt wurde von einem umweltbewussten Hersteller geliefert.

Dieses Produkt kann Substanzen enthalten, die bei einer Entsorgung, die nicht den gesetzlichen Vorschriften entspricht (Deponien), potenziell umweltschädlich sind.

Die Abbildung der durchgestrichenen Mülltonne auf diesem Produkt soll Sie daran erinnern, es nach Möglichkeit dem Recycling zuzuführen.

Bitte verhalten Sie sich umweltbewusst, und führen Sie dieses Produkt am Ende seiner Lebensdauer über die Recycling-Einrichtungen bei Ihnen vor Ort dem Recycling zu.



Vita-Mix® Corporation
Commercial Division

8615 Usher Road, Cleveland, Ohio 44138 U.S.A.
Tel. (USA und Kanada): +1.800.437.4654
Tel. (International): +1.440.782.2450
Technischer Service: +1.800.886.5235
E-Mail: commercial@vitamix.com
commercialts@vitamix.com

Das vollständige Produktsortiment von Vitamix finden Sie unter vitamix.com.

⚠ WARNHINWEIS



Zur Vermeidung von Verletzungen.

Vor der Inbetriebnahme dieses Geräts sollten Sie die Bedienungsanleitung gelesen und verstanden haben. Es sind grundlegende Sicherheitsmaßnahmen, wie in den folgenden Beispielen beschrieben, zu beachten.



⚠ WARNHINWEIS



Gefahr eines Stromschlags

Verwenden Sie AUSSCHLIESSLICH geerdete Steckdosen.

NIEMALS die Erdung entfernen.

KEINEN Adapter verwenden.

KEIN Verlängerungskabel verwenden.

Ein Nichtbeachten der Hinweise kann zu Stromschlägen oder zum Tode führen.

LESEN SIE ALLE ANWEISUNGEN, SICHERHEITSHINWEISE UND WARNHINWEISE DURCH, BEVOR SIE DEN MIXER IN BETRIEB NEHMEN.

1. Lesen Sie alle Anweisungen.
2. Wenn beim Gebrauch Kinder oder unerfahrene Personen in der Nähe oder beteiligt sind, ist eine sorgfältige Beaufsichtigung erforderlich.
3. Dieser Mixer ist nur dann für den Gebrauch durch Personen mit verminderten physischen, sensorischen oder geistigen Fähigkeiten oder unzureichender Erfahrung bzw. Kenntnis geeignet, wenn sie von einer Person, die für ihre Sicherheit verantwortlich ist, überwacht werden oder von ihr über den Gebrauch des Geräts aufgeklärt wurden.
4. Um einen Stromschlag zu verhindern, sollte die Motorbasis nicht in Wasser oder andere Flüssigkeiten getaucht werden.
5. Bei Stillstand des Geräts sowie vor dem Einsetzen und Herausnehmen von Einzelteilen und vor der Reinigung sollten Sie immer den Stecker ziehen.
6. Berühren Sie niemals bewegliche Teile.
7. Betreiben Sie das Gerät NICHT, wenn Stromkabel oder Stecker beschädigt wurden, das Gerät nicht einwandfrei funktioniert, fallen gelassen oder auf andere Weise beschädigt wurde. Wenden Sie sich für die Untersuchung, die Reparatur, den Austausch sowie für die elektrische oder mechanische Anpassung umgehend an einen Vertriebler oder Händler in Ihrer Nähe.
8. Veränderungen oder Umbauten an jeglichen Teilen des Mixers, einschließlich der Verwendung von Nutzung von Bau- oder Zubehörteilen, die nicht von Vitamix autorisiert sind, können zu Stromschlägen, Feuer oder Verletzungen führen.
9. Die Verwendung von Anbauteilen, die nicht ausdrücklich von Vitamix autorisiert oder durch Vitamix zur Verwendung mit diesem Mixer verkauft werden, einschließlich Einmachgläser, kann zu Stromschlägen, Feuer oder Verletzungen führen.
10. Beginnen Sie immer auf der niedrigsten Stufe, wenn Ihr Gerät über einen Geschwindigkeitsregler verfügt.
11. Verwenden Sie das Gerät ausschließlich für den vorgesehenen Zweck.
12. Die maximale Normallast entspricht den am Behälter angebrachten Angaben in Unzen (Liter), z. B. 64 oz. / 2,0 L, 48 oz. / 1,4 L und erheblich weniger bei dickflüssigen Mischungen.
13. Verwenden Sie das Gerät NICHT im Freien.
14. Lassen Sie das Netzkabel NICHT vom Tisch oder der Arbeitsfläche herabhängen oder mit heißen Oberflächen, einschließlich des Herds, in Kontakt kommen.
15. Führen Sie Hände oder Utensilien nicht in den Mixer ein, wenn dieser in Betrieb ist, um dem Risiko schwerer körperlicher Verletzungen bzw. Beschädigungen am Mixer entgegenzuwirken. Der Stößel kann während des Mixens im Behälter verwendet werden. Schaber oder Spatel dürfen nur verwendet werden, wenn der Mixer nicht in Betrieb ist. Belassen Sie Stößel, Schaber oder andere Utensilien nicht im Behälter, weder, wenn das Gerät in Betrieb ist noch, wenn der Motor stillsteht.
16. Die Klingen sind scharf. Gehen Sie bei der Reinigung des Behälters vorsichtig vor, um Verletzungen zu vermeiden.
17. Um das Verletzungsrisiko zu senken, setzen Sie das Klingenteil niemals auf den Motorsockel, ohne dass es im Vitamix-Behälter montiert ist.

18. Bewahren Sie keine Fremdkörper, z. B. Löffel, Gabeln, Messer oder die Verschlusskappe, im Behälter auf, da dies bei Inbetriebnahme die Klingen oder andere Bauteile des Geräts beschädigen oder zu Verletzungen führen könnte.
19. Arbeiten Sie niemals mit beschädigten Klingen.
20. Der Deckel und die Verschlusskappe MÜSSEN während des Mixens fest verschlossen sein. Die Verschlusskappe sollte nur entfernt werden, um Zutaten hinzuzugeben oder den Stößel zu verwenden.
21. Wenn Sie Nussbutter oder Lebensmittel auf Ölbasis herstellen, verarbeiten Sie diese nicht länger als eine Minute, nachdem die Mischung begonnen hat, sich im Behälter zu drehen. Längere Verarbeitungszeiten können zu einer gefährlichen Überhitzung führen.
22. **WARNHINWEIS:** Beachten Sie Folgendes, wenn Sie heiße Flüssigkeiten verarbeiten:
 - Der zweiteilige verriegelbare Deckel muss sicher angebracht und verriegelt sein. So kann der Dampf entweichen, und der Deckel löst sich nicht, während das Gerät in Betrieb ist.
 - Beginnen Sie die Verarbeitung heißer Flüssigkeiten nicht mit HOHER Geschwindigkeit. Beginnen Sie immer mit NIEDRIGER Geschwindigkeit, und erhöhen Sie diese bei laufendem Betrieb.
 - Seien Sie vorsichtig beim Umgang mit heißen Flüssigkeiten. Flüssigkeiten könnten aus der Verschlusskappe heraus spritzen und entweichender Dampf könnte zu Verbrühungen führen.
 - Verarbeiten Sie heiße Zutaten nicht ohne einen verriegelbaren Vitamix-Deckel.

BEWAHREN SIE DIESE ANWEISUNGEN AUF

WICHTIGE HINWEISE!

In den Anweisungen dieser Gebrauchs- und Pflegeanleitung sind nicht alle denkbaren Bedingungen und Situationen berücksichtigt. Gehen Sie bei Betrieb und Wartung jedes Geräts mit dem gesunden Menschenverstand vor.

WICHTIGE HINWEISE ZUM SICHEREN GEBRAUCH

Lassen Sie Ihr Vitamix-Gerät nicht unbeaufsichtigt, wenn es in Betrieb ist. Jede Reparatur, Wartungsmaßnahme oder der Ersatz von Teilen ist von Vitamix oder einem autorisierten Kundendienstmitarbeiter durchzuführen.

HINWEIS: WERDEN WICHTIGE SICHERHEITSMASSNAHMEN UND WICHTIGE HINWEISE ZUM SICHEREN GEBRAUCH AUSSER ACHT GELASSEN, STELLT DIES EINE MISSBRÄUHLICHE VERWENDUNG IHRES VITAMIX-MIXERS DAR, DIE DIE GARANTIE AUSSER KRAFT SETZEN KANN UND DAS RISIKO ERNSTER VERLETZUNGEN BIRGT.

Wartung Ihres Vitamix®-Mixers

Um die Lebensdauer Ihres Vitamix®-Produkts zu verlängern und es betriebsfähig zu halten, sollten Sie die folgenden einfachen Schritte befolgen:

1. Überprüfen Sie regelmäßig den Antriebssockel auf Verschleißerscheinungen, Risse oder Brüche. Sollten Sie Schäden feststellen, ersetzen Sie den Antriebssockel durch den Ersatz-Antriebssockel, der mit Ihrem Mixer geliefert wurde. Sollten Sie weitere Ersatzsockel kaufen wollen, kontaktieren Sie Vita-Mix® Corporation (im Folgenden „Vitamix“) unter +1-800-437-4654. Kunden außerhalb der USA sollten ihren autorisierten Vitamix-Fachhändler kontaktieren oder sich an die Vitamix International Division wenden unter +1.440.782.2450 oder per E-Mail an commercial@vitamix.com (USA & Kanada) bzw. an international@vitamix.com (außerhalb der USA und Kanada), um Unterstützung zu erhalten.
2. Drehen Sie das Klingenteil manuell, um sicherzustellen, dass es sich ohne Widerstand bzw. nicht mit zu viel Spiel dreht. Falls die Klinge sich nur zögerlich oder zu lose dreht, kontaktieren Sie Vitamix bezüglich der Garantieinformationen oder um sich nach einem örtlichen Fachhändler zu erkundigen.
3. Betreiben Sie das Gerät nur, wenn das Zentriertassen ordnungsgemäß auf dem Motorsockel platziert ist, und nehmen Sie den Behälter immer erst dann von dem Motorsockel ab, wenn die Klappen aufgehört haben, sich zu bewegen.

Beschränkte Garantie (Falls nicht vertraglich abweichend geregelt)

Die Vita-Mix® Corporation (im Folgenden „Vitamix“) garantiert dem Ersterwerber („Käufer“), dass ihre gewerblichen Vitamix-Mixer (bestehend aus der Motoreinheit, dem Behälter und dem Deckel, im Folgenden „Gerät“ genannt) keine Material- oder Verarbeitungsfehler aufweisen. Die Garantie gilt für die in diesem Dokument genannten Fristen und unterliegt den im Folgenden geregelten Bedingungen. Ein Kaufbeleg ist erforderlich.

Im Folgenden werden die ausschließlichen rechtlichen Mittel des Käufers und die ausschließlichen Gewährleistungsverpflichtungen von Vitamix aufgeführt.

Weder Mitarbeiter von Vitamix noch sonstige Personen sind berechtigt, zusätzlich zu den folgenden Garantien weitere Garantieverprechen abzugeben oder die folgenden Garantien zu ändern.

Was wird durch die Garantie abgedeckt

A. Garantie für die Motoreinheit (einschließlich Bedienfeld und Touchpad)

Vitamix garantiert dem Ersterwerber:

- Bei Ausfall der Motoreinheit innerhalb von dreißig (30) Tagen ab Verkauf ersetzt Vitamix die Motoreinheit durch eine neue Motoreinheit.
- Falls die Motoreinheit aufgrund eines Material- oder Verarbeitungsfehlers nach dreißig (30) Tagen, aber innerhalb eines (1) Jahres nach dem Kaufdatum versagt, übernimmt Vitamix die Kosten aller Teile und Arbeitsleistungen, die für die Reparatur der Motoreinheit erforderlich sind.
- Falls die Motoreinheit aufgrund eines Material- oder Verarbeitungsfehlers nach dem ersten Jahr, aber innerhalb von drei (3) Jahren nach dem Kaufdatum versagt, übernimmt Vitamix die Kosten aller Teile, die für die Reparatur der Motoreinheit notwendig sind.

B. Garantie für Behälter, Deckel, Deckelstopfen, Zentriertassen, Klappen, Antriebssockel und Lärmabdeckung (falls vorhanden). Vitamix garantiert dem Ersterwerber, dass bei Versagen des Behälters, Deckels, Antriebssockels, der Lärmabdeckung oder der Klappen aufgrund eines Material- oder Verarbeitungsfehlers innerhalb des ersten (1.) Jahres ab dem Kaufdatum Vitamix die für die Reparatur benötigten Kosten aller Teile und die Arbeitskosten übernimmt.

Vitamix ist im Rahmen dieser Garantien nur verpflichtet, das/die garantierte/n Teil/e nach alleinigem Ermessen zu reparieren oder auszutauschen.

VITAMIX HAFTET IN KEINEM FALL, WEDER AUF VERTRAGLICHER BASIS NOCH AUFGRUND VON HAFTUNGSFREISTELLUNGEN, GARANTIEEN, SCHADENERSATZRECHT (EINSCHLIESSLICH FAHRLÄSSIGKEIT), GEFÄHRDUNGSHAFTUNG ODER AUS SONSTIGEN GRÜNDEN FÜR BESONDERE, INDIREKTE, BEGLEIT- ODER FOLGESCHÄDEN, EINSCHLIESSLICH, ABER NICHT BESCHRÄNKT AUF GEWINN- ODER UMSATZEINBUSSEN. DIE OBEN GEREGLTE BESCHRÄNKTE GARANTIE STELLT IHR EINZIGES RECHTLICHES MITTEL DAR UND SIE UND VITAMIX SCHLIESSEN HIERMIT AUSDRÜCKLICH ALLE ANDEREN GARANTIEEN ODER BEDINGUNGEN AUS, EGAL OB AUSDRÜCKLICH ODER KONKLUDENT VEREINBART ODER GESETZLICH GEREGLT, EINSCHLIESSLICH ETWAIGER KONKLUDENTER GARANTIEEN EINER MARKTÜBLICHEN QUALITÄT ODER EINER EIGNUNG FÜR EINEN BESTIMMTEN ZWECK. OHNE DIE ALLGEMEINGÜLTIGKEIT DES VORSTEHENDEN ZU BESCHRÄNKEN SCHLIESSEN SIE UND VITAMIX HIERMIT AUSDRÜCKLICH IM GESETZLICH ZULÄSSIGEN UMFANG DIE ANWENDUNG VON KAUFRECHT SOWIE DIE ANWENDUNG VON UN-KAUFRECHT AUS, SOWEIT EINSCHLÄGIG.

Einige Rechtsordnungen gestatten keine Beschränkung konkludenter Garantien oder konkreter, beiläufiger oder Mangelfolgeschäden.

Was die Garantie nicht abdeckt (Ausschlüsse)

Diese Garantien umfassen keine Reparaturen, die aus folgenden Gründen erforderlich werden:

- A. Normale Abnutzung;
- B. Missbrauch, Fehlgebrauch, fahrlässiger Umgang;

- C. Änderungen am Gerät einschließlich insbesondere Änderungen an Motoreinheit, Behälter, Deckel oder Lärmabdeckung;
- D. Ausstattung gegenüber extremen Bedingungen; oder
- E. Unsachgemäße Installation des Geräts, insbesondere durch nicht fachgerechte Arbeit, Nichtbeachtung von Vorgaben und/oder unzureichende Belüftung der „Einbau“-Modelle des Mixers.

Wann gelten die Garantien (Bedingungen)

Diese Garantien gelten nur für den Ersterwerber und sind nicht übertragbar. Für die Geltendmachung eines Garantieanspruchs ist ein Kaufbeleg erforderlich.

Eine durch Vitamix angebotene Garantie ist nur dann gültig, wenn sie im Einklang benutzt wird mit: a) dem Benutzerhandbuch, das auch über www.vitamix.com abgerufen werden kann; b) der ausdrücklichen Gewährleistung; und c) jeglichen Wartungsanleitungen, ungeachtet des Erscheinungsdatums.

Erlöschen der Garantie

Alle Produktgarantien erlöschen, wenn:

- Der Mixer in einer Lärmabschirmung platziert wird, die nicht von Vitamix hergestellt wurde.
- Ein Bauteil eines von der Garantie erfassten Geräts oder ein Teil von Personen modifiziert, verändert, „aufgearbeitet“ oder repariert wurde, die nicht zu Vitamix, einem autorisierten Vitamix-Servicecenter oder einem autorisierten Vitamix-Fachhändler gehören.
- Ein von der Garantie erfasstes Vitamix-Bauteil zusammen mit einem nicht ausdrücklich schriftlich von Vitamix genehmigten Bauteil benutzt wird (z. B. wenn ein Vitamix-Behälter mit einer nicht von Vitamix stammenden Motoreinheit benutzt wird oder umgekehrt); oder
- Ein Teil des Mixers nicht ordnungsgemäß installiert wurde, insbesondere durch nicht fachgerechte Arbeit, Nichtbeachtung der Vorgaben und/oder unzureichende Belüftung von „Einbau“-Geräten.

Geltendmachung der Garantie und Reparatur

Ansprechpartner für Garantie-Service und Reparatur. Sollte Ihr Vitamix-Mixer der Wartung oder der Reparatur im Rahmen dieser Garantie bedürfen, so rufen Sie bitte die Vita-Mix Corporation, ein autorisiertes Servicecenter oder einen örtlichen Fachhändler an, um Garantieleistungen zu erhalten.

- Für in den USA oder Kanada erworbene Geräte wenden Sie sich bitte an den Vitamix-Kundendienst unter: +1 800-437-4654.
- Falls Sie das Gerät außerhalb der kontinentalen USA erworben haben, kontaktieren Sie bitte Ihren autorisierten Vita-Mix-Fachhändler vor Ort oder wenden Sie sich telefonisch an die internationale Abteilung von Vitamix unter +1 440 782 2450 oder per E-Mail an international@vitamix.com nach einem Fachhändler in Ihrer Nähe.

Sie werden um einen Kaufbeleg gebeten werden. Falls der Fernkundendienst Ihr Gerät nicht instand setzen kann, so muss das Gerät zum Kundendienst. Das Team wird Ihnen dabei helfen, ein autorisiertes Servicecenter zu finden oder den Transport Ihres Geräts zurück an Vitamix arrangieren.

Einschicken des Geräts an den Vitamix-Kundendienst

- A. Beschaffen Sie sich vor der Rücksendung eine Rücksendenummer. Schicken Sie keine Geräte ohne Genehmigung von Vitamix ein. Vitamix übernimmt unter keinen Umständen die Kosten nicht genehmigter Reparaturen. Alle zurückgesendeten Geräte müssen außen auf dem Karton klar und deutlich mit der Rücksendenummer (Return Authorization Number - „RA“) gekennzeichnet sein. Geräte, die Vitamix ohne vorherige Genehmigung zugesendet werden, werden unverändert an die Versandadresse zurückgeschickt. Eine Reparatur erfolgt nicht.
- B. Verpacken Sie den zurückgeschickten Gegenstand ordnungsgemäß. An Vitamix zurückgeschickte Gegenstände müssen in der Originalverpackung oder anderweitig ausreichend verpackt werden.

1 Ein/Aus-Schalter: Zum Einschalten nach oben drücken (I). Zum Ausschalten nach unten drücken (O).

2 Bedienfeld: Weitere Informationen finden Sie im Abschnitt „Bedienfeld“.

⚠ ACHTUNG: Die zu den unterschiedlichen Behälterformen, -typen und -größen passenden Deckel und Stößel sind nicht untereinander austauschbar.

3 Behälter mit 64 oz. Fassungsvermögen und zweiteiligem Deckel:

- Wenn das Gerät in Betrieb ist, müssen der Deckel und die Verschlusskappe stets aufgesetzt sein.
- Betreiben Sie den Mixer nur mit korrekt aufgesetztem und ordnungsgemäß befestigtem Deckel.
- Unzen, Milliliter und Tassen sind deutlich gekennzeichnet.
- Setzen Sie die Verschlusskappe in den Deckel ein, und drehen Sie sie im Uhrzeigersinn, um sie zu befestigen.
- Entfernen Sie die Verschlusskappe, wenn Sie den Stößel verwenden oder Zutaten hinzugeben möchten.

4 Stößel: Bei Einsatz des Stößels bleibt die Zirkulation erhalten, da sich keine größeren Luftblasen bilden können.

5 Zweiteiliger Deckel: (Deckel und Verschlusskappe)
 Befestigen des Deckels: Der Deckel muss während des Betriebs stets gut befestigt sein, vor allem, wenn heiße Flüssigkeiten verarbeitet werden, die Verbrühungen verursachen können. **Betreiben Sie den Mixer nur mit korrekt aufgesetztem und ordnungsgemäß befestigtem Deckel.** Er verfügt über einen umlaufenden Rand, mit dem er in den Behälterlaschen arretiert wird. Drücken Sie eine Seite des Randes unter eine Lasche und drücken Sie oberhalb der gegenüberliegenden Lasche nach unten, um den Deckel einrasten zu lassen.

Abnehmen des Deckels: Umfassen Sie den Deckel und üben Sie mit den Daumen oberhalb einer der Laschen des Behälters Druck aus. Drücken Sie den Bereich nach innen, und heben Sie den Deckel ab.

Entfernen der Verschlusskappe im Deckel: Drehen Sie die Verschlusskappe gegen den Uhrzeigersinn aus der „verriegelten“ Position in die „unverriegelte“ und entnehmen Sie diese.

6 Netzkabel: Das Netzkabel des Mixers ist mit einem (geerdeten) Dreileiter-Schukostecker ausgestattet, der an eine standardmäßige Dreileiter-Schukosteckdose angeschlossen werden kann. Die Beschaffenheit des Netzkabels kann in Ländern außerhalb der USA abweichen. Adapter für Zweileiter-Steckdosen verfügbar. Entfernen Sie den Erdungskontakt nicht vom Stecker. Wenden Sie sich an Ihren Elektriker, falls Sie nicht sicher sind, ob die Wandsteckdose über die Gebäudeverkabelung geerdet ist. Mit einer ordnungsgemäß geerdeten Zweileiter-Wandsteckdose erden Sie das Gerät, indem Sie die Lasche an dem Adapter mithilfe einer in der Mitte der Steckdosenabdeckung angebrachten Schraube befestigen.

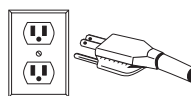
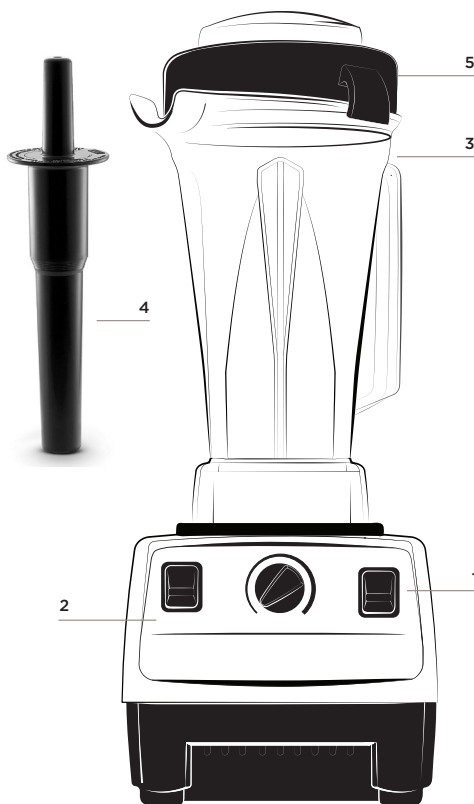


ABB. A

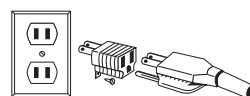
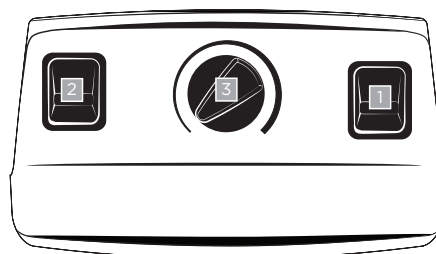


ABB. B

BEDIENFELD

- 1 Ein/Aus-Schalter:** Zum Einschalten nach oben drücken (I). Zum Ausschalten nach unten drücken (O).
- Hoch/Variabel-Schalter:** „Hoch“ (Δ) steht für die höchstmögliche Geschwindigkeitsstufe. Wählen Sie Variable (◁), um die variablen Geschwindigkeiten zu aktivieren. **Vergewissern Sie sich stets, dass der High/Variable-Schalter auf Variable (◁) eingestellt ist, bevor Sie den Ein/Aus-Schalter auf die Ein-Position (I) stellen.** Schalten Sie das Gerät nicht ein, wenn die Geschwindigkeit auf High (Δ) eingestellt ist.
- Geschwindigkeitsregler:** Bietet viele verschiedene Geschwindigkeitseinstellungen. Er ist nur aktiv, wenn der High/Variable-Schalter auf „Variabel“ (◁) eingestellt ist.



⚠ ACHTUNG**Risiko von Schäden durch rotierende Klingen.**

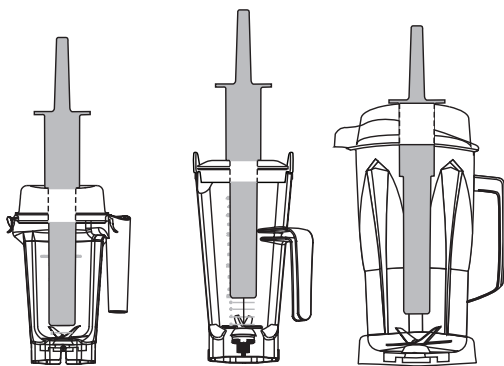
Die zu den unterschiedlichen Behälterformen, -typen und -größen passenden Deckel und Stößel sind nicht untereinander austauschbar. Verwenden Sie den Stößel, der im Lieferumfang Ihres Geräts enthalten ist.

So finden Sie den richtigen Stößel für Ihren Behälter

Der Stößel wurde zur sicheren und effizienten Verwendung mit den gewerblichen Behältern entwickelt. **Wenn ein Stößel mit Ihrem Behälter mitgeliefert wurde, ist dies der für diesen Behälter geeignete Stößel.**

Legen Sie den Deckel auf den leeren Behälter, entfernen Sie die Verschlusskappe und führen Sie den Stößel ein, um herauszufinden, ob Sie einen geeigneten Stößel verwenden. Ein geeigneter Stößel sollte sich leicht in die Öffnung einführen lassen, aber nicht in Kontakt mit den Klingen kommen, wenn Sie ihn im Behälter hin und her bewegen. **WENN DER STÖSSEL IN IRGEND EINEM WINKEL IN KONTAKT MIT DEN KLINGEN KOMMT, VERWENDEN SIE DEN STÖSSEL NICHT ZUSAMMEN MIT IHREM BEHÄLTER.**

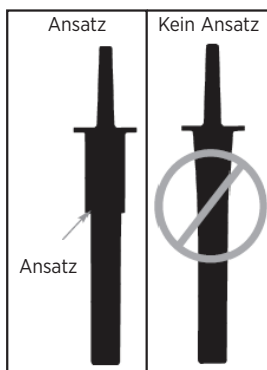
Wenn Sie nicht den geeigneten Stößel für Ihren Behälter haben, wenden Sie sich an den Kundendienst von Vitamix: Aus den USA und Kanada wählen Sie 800-886-5235 oder senden eine E-Mail an commercial@vitamix.com. Von außerhalb der USA oder Kanada wählen Sie +1.440.782.2450 oder senden eine E-Mail an international@vitamix.com. Wenn Sie technische Unterstützung benötigen, senden Sie eine E-Mail an: commercialts@vitamix.com.



Behälter mit 32 oz.
Fassungsvermögen

Behälter mit 48 oz.
Fassungsvermögen

Behälter mit 64 oz.
Fassungsvermögen

**⚠ WARNHINWEIS****Die rotierenden Klingen können schwere Verletzungen verursachen.**

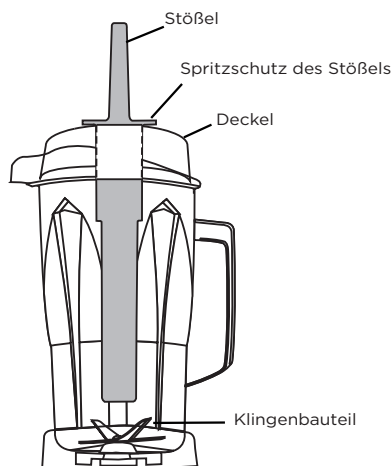
NICHT die Hände, Spachtel o. ä. in den Behälter einführen, während das Gerät in Betrieb ist oder sich der Behälter noch auf dem Motorsockel befindet.

Die zu den unterschiedlichen Behälterformen, -typen und -größen passenden Deckel und Stößel sind nicht untereinander austauschbar. Verwenden Sie den Stößel, der im Lieferumfang Ihres Geräts enthalten ist.

Drücken Sie den Stößel nicht gewaltsam in den 32 oz.- Behälter. Verwenden Sie keinen Stößel ohne Ansatz in einem gewerblichen Vitamix-Behälter.

**WICHTIG!**

- Der Spritzschutz (oben am Stößel) und der Deckel verhindern, dass der Stößel bei ordnungsgemäß verschlossenem Deckel gegen die Klingen stoßen kann.
- Der Behälter sollte maximal zu zwei Dritteln gefüllt sein, wenn der Stößel während des Mixens zum Einsatz kommt.
- Verwenden Sie den Stößel **NICHT** länger als 30 Sekunden am Stück, um ein Überhitzen während des Blendvorgangs zu vermeiden.
- Wenn die Zutaten nicht zirkulieren können, hat sich möglicherweise eine Luftblase gebildet. Entfernen Sie bei fest verschlossenem Deckel vorsichtig die Verschlusskappe. Führen Sie den Stößel durch die Öffnung der Verschlusskappe ein und stechen Sie die Luftblase auf.
- Wenn Sie den Stößel nur gerade nach unten richten, können die Zutaten möglicherweise noch immer nicht zirkulieren. Führen Sie, falls notwendig, den Stößel an die Seiten oder in die Ecken des Behälters. Drücken Sie den Stößel **NICHT** gewaltsam weiter in den Behälter.



⚠ WARNHINWEIS

Die Verschlusskappe sollte nur entfernt werden, um Zutaten hinzuzugeben oder den Stößel zu verwenden.



Stellen Sie den variablen Geschwindigkeitsregler anfangs immer auf 1 und den High/Low-Schalter auf Niedrig. Stellen Sie, wenn Sie heiße Flüssigkeiten verarbeiten, die Geschwindigkeit anfangs nicht höher als 1 ein und den High/Low-Schalter nicht auf High, um Verbrennungen zu vermeiden.

- **Nutzen Sie die Einstellung High (Δ) so lange wie möglich, wenn Sie Säfte aus ganzen Früchten, Suppen, Shakes, Gefrorenes, Püree oder Nussbutter herstellen oder Getreide mahlen möchten. Die Verarbeitungszeiten betragen generell weniger als eine Minute (meist liegen sie unter 30 Sekunden).**
- **TIPP: Zu langes Mixen bei zu niedriger Geschwindigkeit kann das Gerät überhitzen und bewirkt, dass der automatische Überlastungsschutz es abschaltet. Beim Mixen auf High (Δ) läuft der Lüfter des Motors auf höchster Stufe und verhindert ein Überhitzen.**
- Falls die Lebensmittel bei der Einstellung High (Δ) nicht zirkulieren, entfernen Sie vorsichtig die Verschlusskappe, achten aber darauf, dass der Deckel fest eingerastet bleibt. Führen Sie den Stößel durch die Öffnung der Verschlusskappe ein und lockern Sie die Mischung auf. Wenn das Zirkulationsproblem weiterhin bestehen bleibt, reduzieren Sie die Geschwindigkeit des Geräts. Möglicherweise können die Lebensmittel bei einer niedrigen Geschwindigkeit zirkulieren, auch wenn sie es bei hoher Geschwindigkeit nicht können. Fügen Sie, falls notwendig, Flüssigkeit hinzu. NICHT übermäßig befüllen. Sobald die Lebensmittel frei zirkulieren, können Sie die Geschwindigkeit wieder auf High (Δ) drehen und die Verarbeitung fortsetzen.
- Wenn Sie Nussbutter oder Lebensmittel auf Ölbasis herstellen, verarbeiten Sie diese nicht länger als eine Minute, nachdem die Mischung begonnen hat, sich im Behälter zu drehen. Eine längere Verarbeitungsdauer kann zu Beschädigungen am Behälter und zur Überhitzung des Motors führen.
- **Automatischer Überlastungsschutz:** Der Motor Ihres Vitamix-Geräts besitzt einen Überhitzungsschutz. Wenn der Motor abgeschaltet wird, schalten Sie das Gerät über den Netzschalter für 45 Minuten aus, um es zurückzusetzen.

1. Vergewissern Sie sich, dass der Geschwindigkeitsregler auf Stufe 1 eingestellt ist.
2. Befüllen Sie den Behälter, bevor Sie ihn auf den Motorsockel stellen. Füllen Sie zunächst Flüssigkeiten und weiche Lebensmittel in den Behälter ein und erst später feste Bestandteile und Eis.
3. Verschließen Sie den zweiteiligen Deckel fest. Verwenden Sie beim Mixen immer den kompletten zweiteiligen Deckel (es sei denn, der Stößel befindet sich in der Verschlusskappenöffnung). Stellen Sie sicher, dass der Deckel fest eingerastet ist, wenn Sie heiße Zutaten Mixen.
4. Stellen Sie den Nassklingenbehälter bei ausgeschaltetem Motor auf den Motorsockel, indem Sie ihn auf der Auflage zentrieren. Versuchen Sie niemals, den Behälter bei eingeschaltetem Motor auf die Basis zu stellen und schalten Sie die Motorbasis nicht ein, wenn kein Behälter darauf befestigt ist.
5. Stellen Sie den Hoch/Variabel-Schalter auf „Variabel“ (Δ). Halten Sie Ihr Gerät immer bei der variablen Geschwindigkeit 1 ein. Schalten Sie das Gerät ein, indem Sie den Ein/Aus-Schalter auf „Ein“ (I) stellen und erhöhen Sie dann die Geschwindigkeit langsam auf das gewünschte Niveau. Ihr Behälter verschiebt sich und findet von allein die richtige Position.
6. **Gehen Sie beim Verarbeiten heißer Flüssigkeiten und beim Zubereiten von heißen Suppen und Soßen entsprechend sorgfältig vor.**
7. Wegen der Geschwindigkeit des Geräts sind die Verarbeitungszeiten deutlich kürzer als bei den gängigen Geräten.
8. Warten Sie nach dem Abschalten des Geräts, bis die Klingen vollständig zum Stillstand gekommen sind, bevor Sie den Deckel öffnen oder den Behälter vom Motorsockel nehmen.

⚠ WARNHINWEIS**Gefahr eines Stromschlags**

Trennen Sie das Gerät vor dem Reinigen vom Stromnetz.



Ein Nichtbeachten der Hinweise kann zu Stromschlägen oder zum Tode führen.

Normale Reinigung:

1. Füllen Sie den Behälter zur Hälfte mit warmem Wasser und geben Sie einige Tropfen flüssiges Spülmittel hinein. Verschließen Sie den kompletten zweiteiligen Deckel.
2. Drehen Sie den Geschwindigkeitsregler auf Stufe 1. Schalten Sie das Gerät ein und erhöhen Sie die Geschwindigkeit langsam bis auf Stufe 10 und anschließend auf „Hoch“. Lassen Sie das Gerät bei hoher Geschwindigkeit 30 bis 60 Sekunden laufen.
3. Schalten Sie das Gerät aus. Spülen Sie den Behälter aus und lassen Sie ihn abtropfen.

Zur Reinigung:

1. Befolgen Sie zunächst die oben stehenden Anweisungen für die normale Reinigung.
2. Füllen Sie den Behälter zur Hälfte mit Wasser, und geben Sie 1,5 Teelöffel flüssiges Bleichmittel hinzu. Verschließen Sie den kompletten zweiteiligen Deckel.
3. Drehen Sie den Geschwindigkeitsregler auf Stufe 1. Schalten Sie das Gerät ein und erhöhen Sie die Geschwindigkeit langsam bis auf Stufe 10 und anschließend auf „Hoch“. Lassen Sie das Gerät bei hoher Geschwindigkeit 30 bis 60 Sekunden laufen.
4. Schalten Sie das Gerät aus und lassen Sie den Behälter mit der Mischung 1,5 Minuten lang stehen.
5. Gießen Sie das Gemisch aus Wasser und Bleichmittel aus. Lassen Sie den Behälter an der Luft trocknen. Nach der Reinigung nicht ausspülen.

Deckel, Verschlusskappe und Stößel

Nehmen Sie die Verschlusskappe aus dem Deckel heraus. Reinigen Sie die Teile in warmem Wasser mit Seife. Spülen Sie sie unter fließendem, klarem Wasser ab und trocknen Sie sie ab. Setzen Sie die Teile vor dem Gebrauch wieder zusammen.

Motorbasis:

1. Ziehen Sie den Netzstecker.
2. Wischen Sie die Außenseite mit einem weichen, feuchten Lappen oder Schwamm ab, der in einer milden Lösung aus flüssigem Reinigungsmittel und warmem Wasser ausgespült wurde. Tauchen Sie den Motorsockel nicht in Wasser.
3. Die Auflage zum Zentrieren kann für eine gründlichere Reinigung abgenommen werden.
4. Reinigen Sie die Schalter sorgfältig, damit sie reibungslos funktionieren. Sie können durch den Gebrauch verkleben. Feuchten Sie einen Baumwolllappen mit einem fettlösenden Reinigungs- oder Abwasmittel an und reinigen Sie die Vertiefungen um die Schalter. Trocknen Sie alle Flächen sofort ab.
5. Reiben Sie das Gerät mit einem weichen Tuch trocken.

TECHNISCHE DATEN

Volt: 120 V Wechselstrom	Volt: 100 V Wechselstrom (Japan)
Ampere: 11,5 (Spitzenleistung 2+ PS*)	Watt: 900 (Spitzenleistung 2+ PS*)
12,5 (Spitzenleistung 3+ PS*)	Watt: 975 (Spitzenleistung 3+ PS*)
Hz: 50/60	Hz: 50/60

Volt: 220 bis 240 V Wechselstrom	Volt: 120 V Wechselstrom EMC (Taiwan)
Watt: 750-850 (Spitzenleistung 2+ PS*)	Ampere: 11,5 (Spitzenleistung 2+ PS*)
Watt: 1100-1200 (Spitzenleistung 3+ PS*)	Hz: 60
Hz: 50/60	

*je nach Spannung







VITA-PREP® OCH VITA-PREP® 3

VM0101D och VM0103D

AVSNITT

Engelska	1
Tyska.....	7
Svenska.....	13
Franska.....	19
Ryska	25
Spanska	31
Italienska	37
Portugisiska.....	43
Arabiska.....	49

SYMBOLER

	Varning		lakttag försiktighet
	Vidrör ALDRIG rörliga delar. Håll händer och redskap utanför behållaren		Mixa med locket och mittlocket på plats
	Risk för elektrisk stöt		Läs och förstå bruksanvisningen
	Hög temperatur vid blandning av varma vätskor		Sänk inte ned i vätska
	FÖR INTE IN objekt i behållaren när mixern används	I/O	På/av
	Koppla ur mixern när den inte används, före rengöring, vid byte av tillbehör eller när du ska vidröra delar som är rörliga när mixern används		

ÅTERVINNINGSPÅSÄTTNING

Produkten har levererats från en miljömedveten tillverkare.

Produkten kan innehålla ämnen som kan vara skadliga för miljön om den kasseras på platser (soptippar) som inte är lämpliga enligt lagstiftningen.

Den överkryssade symbolen med soptunna på hjul finns på produkten för att uppmuntra dig att alltid lämna saker till återvinning när det är möjligt.

Ta ansvar för miljön och återvinn produkten via en återvinningscentral när den inte längre ska användas.



Vita-Mix Corporation Commercial Division

8615 Usher Road, Cleveland, Ohio 44138 USA

Tfn. (USA och Kanada): 1-800-437-4654

Tfn. (internationellt): 1-440-782-2450

Teknisk support: 1-800-886-5235 E-post: commercial@vitamix.com

commercialts@vitamix.com

Besök vitamix.com för att se hela utbudet av Vitamix-produkter.

⚠ VARNING



För att undvika personskada.

Läs och förstå bruksanvisningen innan du använder apparaten. Grundläggande säkerhetsföreskrifter måste följas, inklusive de som följer nedan.



⚠ VARNING



Risk för elektrisk stöt.

Får ENDAST användas med jordat uttag.

TA INTE BORT jordningen.

ANVÄND INTE en adapter.

ANVÄND INTE förlängningsladd.

Underlåtenhet att följa anvisningarna kan leda till dödsfall eller elektrisk stöt.

LÄS ALLA ANVISNINGAR, SÄKERHETS- OCH VARNINGSMEDDELANDEN INNAN DU ANVÄNDER MIXERN.

- Läs alla anvisningar.
- Noggrann uppsikt krävs när en apparat används av, eller i närheten av, barn eller funktionshindrade personer.
- Denna mixer är inte avsedd att användas av personer med nedsatt fysisk, sensorisk eller mental förmåga, eller som saknar erfarenhet och kunskap, såvida de inte övervakas eller får instruktioner angående användning av apparaten av en person som ansvarar för deras säkerhet.
- Placera inte mixerns bas i vatten eller annan vätska då detta skapar risk för elektrisk stöt.
- Dra ut elsladden ur eluttaget när den inte används, när delar sätts fast eller tas av samt före rengöring.
- Undvik kontakt med rörliga delar.
- Använd INTE en apparat vars sladd eller stickkontakt är skadad, eller en apparat som fungerar felaktigt eller har tappats/skadats på något sätt. Kontakta din återförsäljare eller leverantör direkt för att undersöka, reparera eller justera elektroniken eller mekaniken.
- Ändringar och modifieringar av några av mixerenhetens delar eller komponenter, inklusive användning av delar, komponenter eller tillbehör som inte är genuina delar godkända av Vitamix, kan orsaka brand, elektrisk stöt eller personskada.
- Användning av tillbehör som inte uttryckligen har godkänts eller sålts av Vitamix för bruk med denna mixer, inklusive konserveringsburkar, kan orsaka brand, elektrisk stöt eller kroppsskada.
- Om din apparat är utrustad med ett ställbart hastighetsreglage bör du alltid börja på den lägsta inställningen.
- Använd INTE apparaten för andra ändamål än de avsedda.
- Maximal fyllning är lika med det antal liter (uns) som står på tillbringaren, t.ex. 2,0 l / 64 uns, 1,4 l / 48 uns och avsevärt mindre om blandningen är tjock.
- Använd INTE utomhus.
- Låt INTE sladden hänga över kanten på bänken eller arbetsytan eller komma i kontakt med varma ytor, inklusive spisen.
- Se till att inte hålla händer redskap i tillbringaren medan du mixer för att minska risken för svåra personsador eller skador på mixern. Plaststaven kan användas under pågående mixning i tillbringaren. En gummiskrapa eller spatel får användas, dock endast när mixern är avstängd. Lämnar inte kvar plaststavar, gummiskrapor eller andra redskap i tillbringaren när apparaten körs eller när motorn står still.
- Knivarna är vassa. Var försiktig vid rengöring av tillbringaren för att undvika personsador.
- För att minska risken för personskada ska du aldrig placera knivanordningen på basstationen när den inte är monterad på tillbringaren.

- Lämnar INTE kvar främmande föremål, till exempel skedar, knivar eller mittlocket i någon av behållarna eftersom detta kan skada knivarna och andra komponenter när apparaten startas och leda till personskada.
- Försök aldrig att använda mixern med skadade knivar.
- Locket och mittlocket MÅSTE sitta fast ordentligt under mixning. Mittlocket ska endast avlägsnas när du tillsätter ingredienser och vid användning av plaststaven.
- När du gör jordnötssmör eller oljebaserade livsmedel ska du inte köra mixern i mer än en minut efter det att blandningen har börjat cirkulera i behållaren. Bearbetning under långa perioder kan leda till farlig överhettning.
- VARNING:** Vid bearbetning av varma vätskor:
 - måste spärrlocket i två delar sitta fast ordentligt. På så sätt kan ånga försvinna ut naturligt och locket faller inte av när apparaten sätts på.
 - Börja inte på HÖG hastighet när varma vätskor körs. Börja alltid köra varma vätskor på LÅG hastighet, och byt sedan till HÖG hastighet när apparaten är igång.
 - Var försiktig med varma vätskor. Vätska kan spruta ut från under mittlocket och ånga kan orsaka skällning.
 - Bearbeta inte varma ingredienser med Vitamix-locket som saknar spärr.

SPARA DESSA ANVISNINGAR

VIKTIGA ANMÄRKNINGAR!

De anvisningar som finns i användar- och skötselmanualen kan inte täcka alla potentiella tillstånd eller situationer som kan inträffa. Använd sunt förnuft och var försiktig vid användning och skötsel av apparater.

VIKTIGA ANVISNINGAR FÖR SÄKER ANVÄNDNING

Lämnar inte din Vitamix-mixer utan uppsikt vid drift.

Alla reparationer, all service och ersättning av delar måste utföras av Vitamix eller av en auktoriserad servicerepresentant.

OBS! UNDERLÅTENHET ATT FÖLJA NÅGON AV DE VIKTIGA SÄKERHETSFÖRESKRIFTERNA OCH DE VIKTIGA ANVISNINGARNA FÖR SÄKER ANVÄNDNING UTGÖR FELAKTIG ANVÄNDNING AV DIN VITAMIX-MIXER, VILKET KAN OGILTIGFÖRKLARA GARANTIN OCH INNEBÄRA RISK FÖR ALLVARLIG PERSONSKADA.

Underhåll av din Vitamix®-mixer

För att Vitamix®-produkten ska hålla och fungera så länge och så bra som möjligt är det viktigt att du följer några enkla underhållssteg:

1. Kontrollera drivhyslan med jämna mellanrum för att se om den är sliten eller trasig, har fått sprickor eller hack i hyslan. Om du upptäcker en skada byter du ut drivhyslan mot den extra som kom med mixern. Kontakta Vita-Mix® Corporation (hädanefter "Vitamix") på 1 800 437 4654 om du vill köpa reservdrivhyslor. Kunder utanför USA kan kontakta närmaste auktoriserade leverantör av Vitamix, ringa till Vitamix internationella avdelning på +1-440-782-2450 eller skicka e-post till commercial@vitamix.com (USA och Kanada) eller international@vitamix.com (utanför USA och Kanada) för att få hjälp.
2. Vrid på knivhållaren för hand för att vara säker på att den snurrar obehindrat men inte snurrar alltför fritt. Om kniven hindras eller snurrar för fritt, kontakta Vitamix om garantiinformation eller närmaste leverantör.
3. Kör aldrig apparaten utan att centreringsskivan sitter ordentligt på basen och ta aldrig bort tillbringaren från basen innan knivarna står stilla.

Begränsad garanti - (såvida inget annat anges i kontraktet)

Vita-Mix® Corporation (hädanefter "Vitamix") garanterar slutanvändaren ("Köparen") att dess kommersiella Vitamix-mixrar (bestående av basstation, tillbringare med lock, hädanefter tillsammans kallade "utrustningen") inte kommer att ha några material- eller tillverkningsfel under utrustningens garantiperiod enligt beskrivningen häri och under förhållanden som framlägges nedan. Ett inköpsbevis krävs.

Följande utgör köparens enda rätt till kompensation och beskriver Vitamix enda garantiåtagande.

Ingen anställd på Vitamix eller någon annan person har tillstånd att utfärda någon extra garanti utöver följande garantier eller att ändra dessa.

Följande omfattas av garantin**A. Garanti för basstation (vilket omfattar kontrollpanel och pekplatta)**

Till slutanvändaren lämnar Vitamix följande basstation:

- Om basstationen inte fungerar på grund av material- eller tillverkningsfel inom trettio (30) dagar från inköpsdatum, kommer Vitamix att ersätta basstationen med en ny basstation.
- Om basstationen inte fungerar på grund av material- eller tillverkningsfel efter trettio (30) dagar från inköpsdatum, men inom ett (1) år från inköpsdatum, påtar sig Vitamix alla kostnader för reservdelar och arbete som behövs för att reparera basstationen.
- Om basstationen inte fungerar på grund av material- eller tillverkningsfel efter det första året, men inom tre (3) år från inköpsdatum, påtar sig Vitamix alla kostnader för reservdelar som behövs för att reparera basstationen.

B. Garanti för tillbringare, lock, mittlock, centreringsskiva, knivanordning, drivhysla och ljuddämpningskåpa (om sådan ingår). Till slutanvändaren garanterar Vitamix att om en ljuddämpningskåpa, tillbringare, lock, knivanordning eller drivhysla inte fungerar på grund av material- eller tillverkningsfel inom ett (1) år från inköpsdatum, påtar sig Vitamix alla kostnader för reservdelar och arbete som behövs för att reparera komponenten.

Vitamix enda åtagande enligt dessa garantier är att reparera eller byta ut den garantiförsäkrade delen eller delarna enligt Vitamix eget gottfinnande.

UNDER INGA OMSTÄNDIGHETER, VARE SIG DET BASERAS PÅ KONTRAKT, SKADESTÅND, GARANTI, OTILLÅTEN HANDLING (INKLUSIVE OAKTSAM), STRIKTA SKYLDIGHETER ELLER ANNAT, KOMMER VITAMIX ATT VARA ANSVARIG FÖR NÅGON SOM HELST SÄRSKILD, INDIREKT, OAVSIKTLIG SKADA ELLER FÖLJDSKADA, INKLUSIVE, UTAN BEGRÄNSNINGAR, FÖRLUST AV VINST ELLER INTÄKTER. DEN BEGRÄNSADE GARANTIN OVAN ÄR KUNDENS ENDA GOTTGÖRELSE OCH KUNDEN OCH VITAMIX FRISKRIVER SIG HÄRMED UTTRYCKLIGEN FRÅN ALLA ANDRA GARANTIER ELLER VILLKOR, UTTRYCKLIGA ELLER UNDERFÖRSTÅDDA, FÖRESKRIVNA ELLER ANNAT, INKLUSIVE ALL UNDERFÖRSTÅDD GARANTI FÖR LÄMPLIGHET FÖR SÄRSKILT ÄNDAMÅL, SAMT ATT, UTAN BEGRÄNSNING AV DET FÖREGÅENDE, KUNDEN OCH VITAMIX HÄRMED UTTRYCKLIGEN UTESLUTER, SÅ LÅNGT LAGEN TILLÅTER, TILLÄMPNING AV ALL LAGSTIFTNING OM KÖP AV VAROR OCH FÖRENTA NATIONERNAS KONVENTION OM KONTRAKT FÖR INTERNATIONELLA KÖP AV VAROR, DÅR DET ÄR TILLÄMPLIGT.

I en del jurisdiktioner tilläts inte att underförstådda garantier eller särskilda, oavsiktliga skador eller följdskador begränsas.

Följande omfattas ej av garantin (garantiundantag)

Denna garanti omfattar inte reparationer som behövs på grund av:

- A. normalt slitage,
- B. missbruk, felaktigt bruk, oaktsamt bruk,

- C. ändring av utrustningen inklusive, men inte begränsat till basstationen, tillbringaren, locket eller ljuddämpningskåpan.
- D. exponering för extrema förhållanden eller
- E. om någon del av mixern inte har monterats korrekt, inklusive men inte begränsat till dåligt utfört yrkesarbete, underlåtenhet att följa medföljande specifikationer och/eller otillräcklig ventilering av modeller som är "infällda i arbetsbänken".

När är garantin tillämplig (täckningsvillkor)?

Garantierna häri gäller endast för den ursprungliga slutanvändaren och kan inte överföras. För att göra ett garantianspråk krävs ett inköpsbevis.

Alla garantier från Vitamix gäller endast om de tillämpas i enlighet med: a) ägarmanualen som även finns att tillgå via www.vitamix.com, b) expressgarantin och c) samtliga underhållsinstruktioner oavsett när dessa tillhandahålls.

Grunder för ogiltigförklaring av garantin

Alla produktgarantier upphävs om:

- Mixern placeras i en ljuddämpningskåpa som inte tillverkats av Vitamix.
- Någon utrustningskomponent som täcks av garantin har modifierats, ändrats, "rekonstruerats" eller reparerats av någon annan än Vitamix, ett auktoriserat Vitamix-servicecenter eller en auktoriserad Vitamix-leverantör.
- Någon Vitamix-komponent som täcks av garantin används med en komponent som inte uttryckligen godkänns skriftligen av Vitamix (t.ex. användning av en tillbringare från Vitamix med en basstation som inte är från Vitamix och/eller användning av en basstation från Vitamix med en tillbringare som inte är från Vitamix) eller
- någon del av mixern inte har monterats korrekt, inklusive men inte begränsat till dåligt utfört yrkesarbete, underlåtenhet att följa medföljande specifikationer och/eller otillräcklig ventilering av modeller som är "infällda i arbetsbänken".

Beviljande av garantianspråk och reparationer

Kontaktinformation angående service och reparation som omfattas av garantin. Ifall din Vitamix blender behöver servas eller repareras, och det täcks av villkoren i denna garanti, ring Vita-Mix Corporation, ett auktoriserat servicecenter eller närmaste leverantör för hjälp med garantin.

- För utrustning som köpts och som finns i USA och Kanada ska du ringa till Vitamix företagskundtjänst på: 800-437-4654.
- För utrustning som köpts utanför USA:s fastland kontaktar du närmaste auktoriserade Vita-Mix-leverantör, eller ringer till Vita-Mix internationella avdelning på +1-440-782-2450 eller skickar e-post till international@vitamix.com för att lokalisera närmaste leverantör.


Du kommer att bli ombedd att tillhandahålla ett inköpsbevis för utrustningen. Om det tekniska supportteamet inte kan avhjälpa problemet på distans, måste utrustningen skickas till service. Teamet hjälper dig med att antingen hitta närmaste auktoriserade servicecenter eller med att ordna för transport av utrustningen tillbaka till Vitamix.

Transport av utrustningen till Vitamix för service

- A. Se till att erhålla ett retaurauktoriseringsnummer före transport. Returnera samt skicka ej in utrustning utan att först erhålla ett godkännande från Vitamix. Under inga omständigheter kommer Vitamix att ansvara för kostnaden för ej i förväg godkända reparationer. All returnerad utrustning måste ha retaurauktoriseringsnumret ("RA") tydligt angivet på kartongens utsida. All utrustning som skickas till Vitamix utan föregående auktorisering eller godkännande kommer att returneras till avsändarens adress "i befintligt skick" utan reparation.
- B. Förpacka returnerad produkt ordentligt. Alla delar som skickas till Vitamix måste skickas i originalförpackning eller annat ändamålsenligt emballage.

1 **På/Av-brytare:** Tryck upp för att starta (I). Tryck ner för att stänga av (O).

2 **Kontrollpanel:** Se Kontrollpanel för mer information.

 **IAKTTAG FÖRSIKTIGHET:** Lock och plaststavar är inte utbytbara mellan olika modeller, typer och storlekar av behållare.

3 **Tillbringare med tvådelat lock och kapacitet för 2,0 l:**

- Använd alltid locket och mittlocket när apparaten används.
- Använd aldrig mixern utan att locket är ordentligt fastsatt.
- Måttenheterna uns, milliliter och koppar är tydligt markerade.
- För in mittlocket genom locket och fäst det stadigt genom att vrida medsols.
- Avlägsna mittlocket för att använda plaststaven eller för att tillsätta ingredienser.

4 **Plaststav:** Användning av plaststaven bibehåller cirkulationen genom att förhindra att luftfickor bildas under mixning.

5 **Tvådelat lock: (lock och mittlock)**

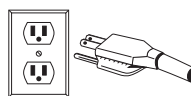
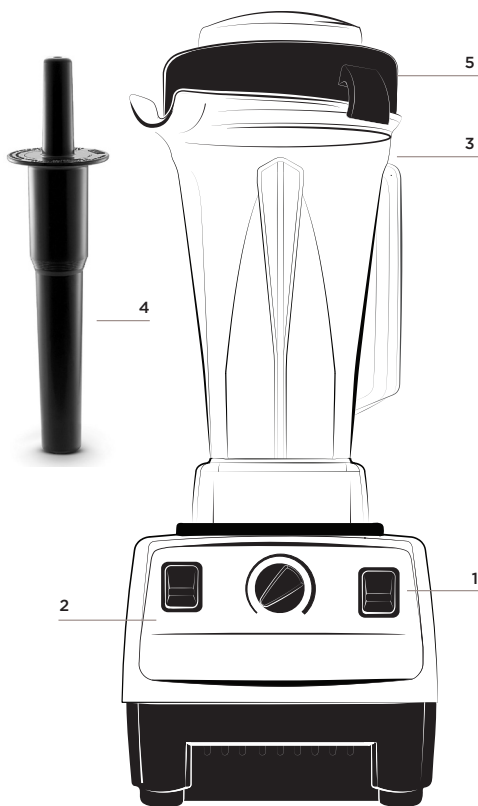
Sätt fast locket: Locket måste alltid sitta fast ordentligt vid bearbetning, särskilt när det gäller varma vätskor som kan orsaka skällning. **Använd aldrig mixern utan att locket är ordentligt fastsatt.** Runt hela locket finns en kant som fungerar som en spärr inuti tillbringarens flikar. Tryck in en sida av kanten under en flik, och tryck nedåt med handleden över motsatt flik för att få locket att fastna.

Ta bort locket: Locket tas bort genom att du placerar händerna runt locket och trycker med tummarna ovanför en av tillbringarens flikar. Tryck in och lyft av.

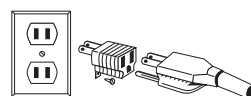
Ta bort mittlocket: Roter mittlocket motsols från läget "låst" till "olåst" och lyft av.

6 **Elsladd: Mixerns elsladd är försedd med en trestiftskontakt (jordad) som passar i standardvägguttag med plats för tre stift.** Sladden ser olika ut i länder utanför USA.

Adaptrar finns för tvåstiftsuttag. Jordningsspåret på trestiftskontakten eller elsladden får inte skäras i eller tas bort. Rådgör med en elektriker om du är osäker på om vägguttaget är jordat via byggnadens ledningar. Om det finns ett korrekt jordat tvåstiftsvägguttag jordas apparaten genom att fästa adapterfliken i vägguttagets kåpa med hjälp av skruven i mitten på kåpan.



FIGUR A



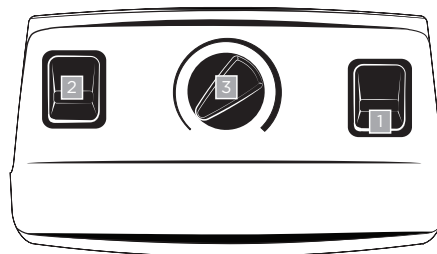
FIGUR B

KONTROLLPANEL

1. **På/Av-brytare:** Tryck upp för att starta (I). Tryck ner för att stänga av (O).

2. **Reglage för Hög/Ställbar:** Hög (Δ) är den snabbast tillgängliga hastigheten. Växla till Ställbar (◁) för att aktivera de ställbara hastigheterna. **Kontrollera att reglaget för Hög/Ställbar alltid är inställt på Ställbar (◁) innan du flyttar På/Av-brytaren till På (I)-läget.** Starta inte din maskin på Hög (Δ) hastighet.

3. **Ställbart hastighetsreglage:** Väljer många hastighetsinställningar. Är endast aktiv när reglaget för Hög/Ställbar är i läget Ställbar (◁).



⚠ IAKTTAG FÖRSIKTIGHET



De roterande knivarna kan leda till skador.

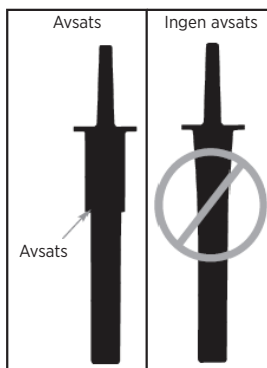
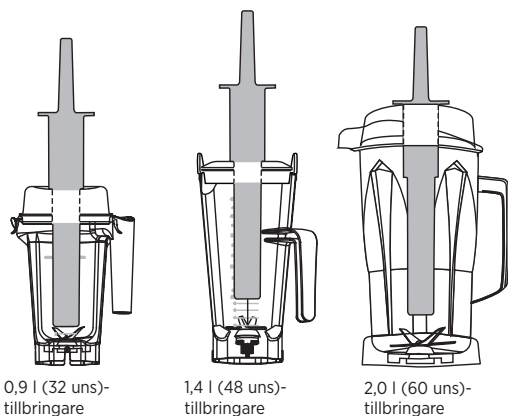
Lock och plaststavar kan inte användas på andra behållare av annorlunda utformning, typ och storlek. Använd plaststaven som medföljde din apparat.

Avgör vilken plaststav som kan användas med din tillbringare

Plaststaven är utformad för säker och effektiv användning med de kommersiella tillbringarna. **Om en plaststav medföljde tillbringaren är det rätt plaststav för den tillbringaren.**

För att bekräfta att du använder rätt plaststav placerar du locket på en tom tillbringare, tar bort mittlocket och för in plaststaven. Plaststaven ska enkelt passa in i öppningen i locket och inte komma i kontakt med knivarna oavsett hur staven flyttas inuti tillbringaren. **ANVÄND INTE PLASTSTAVEN MED DIN TILLBRINGARE OM PLASTSTAVEN VIDRÖR KNIVBLADEN I NÅGON VINKEL.**

Om du inte har rätt plaststav för din tillbringare kontaktar du Vitamix kundtjänst i USA och Kanada på 800-886-5235 eller skickar e-post till commercial@vitamix.com. Utanför USA och Kanada ringer du +1-440-782-2450 eller skickar e-post till international@vitamix.com. Om du behöver teknisk support kan du skicka ett e-postmeddelande till: commercialts@vitamix.com.



⚠ VARNING



Roterande knivar kan orsaka allvarlig kroppsskada.

FÖR INTE IN händer, spatlar o.s.v. i tillbringaren när apparaten arbetar eller när tillbringaren fortfarande sitter på enheten.

Lock och plaststavar kan inte användas på andra behållare av annorlunda utformning, typ och storlek. Använd plaststaven som medföljde din apparat.

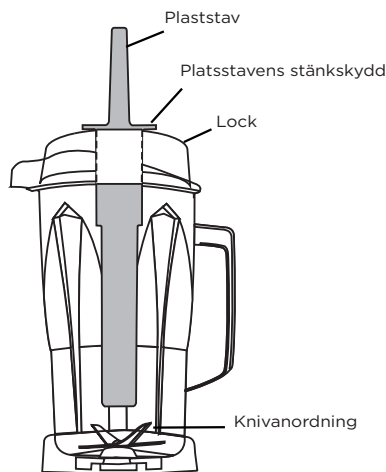
Tvinga inte ned plaststaven i 0,9 l (32 uns)-tillbringaren.

Använd inte en plaststav utan avsats i någon av Vitamix kommersiella tillbringare.



VIKTIGT!

- Stänkskyddet (nära toppen på plaststaven) och locket hindrar plaststaven från att slå i knivarna när locket sitter fast ordentligt i låst läge.
- Behållaren får inte vara fylld till mer än två tredjedelar när plaststaven används vid mixing.
- För att undvika överhettning under mixing får plaststaven **INTE ANVÄNDAS** i mer än 30 sekunder i följd.
- Om livsmedeln inte cirkulerar kan en luftbubbla ha fångats i apparaten. Ta försiktigt bort mittlocket samtidigt som du ser till att locket hålls säkert på plats. Frigör luftbubblan genom att föra in plaststaven genom mittlockets öppning.
- Att rikta plaststaven rakt nedåt hjälper eventuellt inte ingredienserna att cirkulera. Rikta plaststaven mot tillbringarens sidor eller kanter vid behov. Tvinga **INTE** plaststaven längre ner i tillbringaren.



⚠ VARNING

Mittlocket ska endast avlägsnas när du tillsätter ingredienser och vid användning av plaststaven.

Starta alltid mixern med hastighetsvredet satt till 1 och Hög/Låg-omkopplaren i låg position. Starta aldrig på hastigheter över 1 eller med Hög/Låg-omkopplaren i den höga positionen när du mixar varma vätskor för att undvika eventuella brännskador.



- **Bearbeta på Hög (Δ) inställning under så lång tid under bearbetningstiden som möjligt för att göra råvarajuicer, soppor, frusna blandningar, puréer, jordnötssmör och för att mala gryn. Bearbetningstiderna är oftast kortare än en minut (de flesta kortare än 30 sekunder).**
 - **TIPS: Mixning under för lång tid på för låg hastighet leder till att apparaten överhettas och att överbelastningsskyddet stänger av apparaten. Vid mixing på Hög (Δ) hastighet aktiveras motorns kylfläkt för att undvika överhettning.**
 - Om livsmedeln inte cirkulerar när du kör på Hög (Δ) hastighet bör du försiktigt ta bort mittlocket samtidigt som du ser till att huvudlocket hålls säkert på plats. Frigör blandningen genom att föra in plaststaven genom mittlockets öppning. Sänk hastigheten på apparaten om cirkulationsproblemen kvarstår. Om livsmedeln inte kan cirkulera vid en högre hastighet kan det hända att en lägre hastighet fungerar. Tillsätt vätska om nödvändigt. Överfyll INTE. När maten cirkulerar fritt ökar du hastigheten tillbaka till Hög (Δ) och fortsätter bearbetningen.
 - När du gör jordnötssmör eller oljebaserade livsmedel ska du inte köra mixern i mer än en minut efter det att blandningen har börjat cirkulera i behållaren. Kör du under längre perioder kan det orsaka skador på behållaren och överhettning av motorn.
 - **Automatiskt överbelastningsskydd:** Vitamix-motorn har ett överhettningsskydd. Om motorn stängs av bör du stänga av strömbrytaren i upp till 45 minuter så att motorn återställs.
1. Se till att det ställbara reglaget står på 1.
 2. Fyll behållaren innan den placeras på motorenheten. Fyll behållaren med vätskor och mjuka livsmedel först, därefter fasta föremål och sist is.
 3. Fäst det tvådelade locket ordentligt. Använd alltid det tvådelade locket vid mixing (såvida inte plaststaven har förts in genom mittlockets öppning). Se till att locket är ordentligt fästsatt när du mixar varma ingredienser.
 4. Med motorn avstängd ställer du vätbladsbehållaren på basstationen genom att rikta in den över centreringsplattan. Försök inte att sätta en behållare på en basstation som är igång, eller att köra en basstation utan att ha en behållare ordentligt på plats.
 5. Börja med reglaget Hög/Ställbar i ställbart (Δ) läge. Starta alltid din apparat på ställbar hastighet 1. Aktivera apparaten genom att vrida På/Av-brytaren till läget På (I), varefter du sedan långsamt ökar till önskad hastighet. Tillbringaren justeras och hamnar i rätt läge.
 6. **Var försiktig vid hantering och bearbetning av varma ingredienser och tillagning av varma soppor och såser.**
 7. Tack vare maskinens hastighet är mixtiden mycket kortare än i vanliga apparater.
 8. När du har stängt av maskinen ska du vänta tills knivarna har stannat helt innan du avlägsnar behållaren från basstationen.

⚠ VARNING**Risk för elektrisk stöt.**

Koppla ur strömmen innan du rengör apparaten.

Underlåtenhet att följa anvisningarna kan leda till dödsfall eller elektrisk stöt.

**Normal rengöring:**

1. Fyll behållaren till hälften med varmt vatten och tillsätt ett par droppar flytande diskmedel i behållaren. Knäpp eller tryck fast hela det tvådelade locket i låst läge.
2. Välj ställbar hastighet 1. Aktivera maskinen och öka långsamt hastigheten till ställbar hastighet 10 och sedan till Hög. Kör maskinen på Hög hastighet i mellan 30–60 sekunder.
3. Stäng av apparaten. Skölj och töm behållaren.

Rengöring:

1. Följ instruktionerna för normal rengöring ovan.
2. Fyll tillbringaren till hälften med vatten och tillsätt 1,5 tesked med flytande diskmedel. Knäpp eller tryck fast hela det tvådelade locket i låst läge.
3. Välj ställbar hastighet 1. Aktivera maskinen och öka långsamt hastigheten till ställbar hastighet 10 och sedan till Hög. Kör apparaten på Hög hastighet i 30–60 sekunder.
4. Stäng av apparaten och låt blandningen vara kvar i tillbringaren i ytterligare en och en halv minut.
5. Häll ut blekmedelsblandningen. Låt tillbringaren lufttorka. Sköljes inte efter desinficering.

Lock, mittlock och plaststav

Separera locket och mittlocket. Tvätta delarna i varmt tvålvatten. Skölj rent under rinnande vatten och torka. Montera före användning.

Basstation:

1. Dra ur strömkabeln.
2. Rengör utsidan med en fuktig, mjuk trasa eller svamp som har sköljts i en mild lösning av flytande diskmedel och varmt vatten. Placera inte basstationen i vatten.
3. Centreringsplattan kan avlägsnas för noggrannare rengöring.
4. Rengör brytare och reglage noggrant så att de kan röras fritt. De kan bli kladdiga under användning. Fukta en bomullstuss med ett avfettningsmedel eller rengöringsmedel och rengör spåren runt reglagen. Torka alla ytor direkt.
5. Putsa med en mjuk trasa.

SPECIFIKATIONER

Volt:	120 V AC	Volt:	100 V AC (Japan)
Ampere:	11,5 (2+ max hk*) 12,5 (3+ max hk*)	Watt:	900 (2+ max hk*) 975 (3+ max hk*)
Hz:	50/60	Hz:	50/60
Volt:	220–240 V AC	Volt:	120 V AC EMC (Taiwan)
Watt:	750–850 (2+ max hk*)	Ampere:	11,5 (2+ max hk*)
Watt:	1 100–1 200 (3+ max hk*)	Hz:	60
Hz:	50/60		

*varierar med spänningen











VITA-PREP® ET VITA-PREP® 3

VM0101D et VM0103D

SECTIONS

Anglais	1
Allemand	7
Suédois	13
Français	19
Russe	25
Espagnol	31
Italien	37
Portugais	43
Arabe	49

SYMBOLES

	Avertissement		Mise en garde
	Ne touchez JAMAIS les pièces en rotation. Ne mettez pas les mains ni les ustensiles dans le récipient.		Faites fonctionner le blender uniquement avec le couvercle et le bouchon du couvercle en place.
	Risque d'électrocution		Lisez le manuel de l'utilisateur
	Température élevée lors du mélange de liquides chauds		Ne pas immerger
	N'introduisez rien dans le récipient lorsque le blender est en fonctionnement.	I/O	Marche/arrêt
	Débranchez l'appareil quand vous ne l'utilisez pas, avant de le nettoyer, avant de changer d'accessoire ou d'approcher des pièces en rotation lorsque le blender est en marche.		

INFORMATION SUR LE RECYCLAGE

Ce produit est fourni par un fabricant respectueux de l'environnement.

Ce produit peut contenir des substances dangereuses pour l'environnement s'il est éliminé dans des lieux (décharges) non conformes à la législation.

Le symbole de la « poubelle barrée d'une croix » est placé sur ce produit pour vous inciter à recycler dans la mesure du possible.

Merci d'être respectueux de l'environnement et de recycler ce produit dans votre station de recyclage lorsqu'il est en fin de vie.



Vita-Mix® Corporation Division commerciale

8615 Usher Road, Cleveland, Ohio 44138, États-Unis

Tél. (États-Unis et Canada) : 1 800 437-4654

Tél. (en dehors des États-Unis et du Canada) : 1 440 782-2450

Service technique : 1 800 886-5235

Courrier électronique : commercial@vitamix.com

commercialts@vitamix.com

Pour découvrir la gamme complète des produits Vitamix, consultez le site vitamix.com.

⚠ AVERTISSEMENT**Pour éviter tout risque de blessure.**

Lisez attentivement le mode d'emploi avant d'utiliser cet appareil. Des mesures de précaution élémentaires doivent être respectées, notamment celles qui suivent.

**⚠ AVERTISSEMENT****Risque d'électrocution.**

Utilisez **EXCLUSIVEMENT** une prise raccordée à la terre.

NE RETIREZ pas la terre.

N'UTILISEZ pas d'adaptateur.

N'UTILISEZ pas de rallonge électrique.

Le non-respect des instructions fournies peut provoquer un risque d'électrocution, voire la mort.

LISEZ L'ENSEMBLE DES INSTRUCTIONS, CONSIGNES DE SÉCURITÉ ET AVERTISSEMENTS AVANT D'UTILISER LE BLENDER.

- Lisez toutes les instructions.
- Une surveillance rigoureuse est nécessaire lorsque tout appareil électroménager est utilisé par ou à proximité d'enfants ou de personnes invalides.
- Ce blender ne doit pas être utilisé par des personnes ayant des capacités physiques, sensorielles ou mentales réduites, ou n'ayant ni expérience ni connaissances particulières, sauf si elles sont surveillées ou si elles ont reçu des instructions sur l'utilisation de l'appareil par une personne en charge de leur sécurité.
- Pour éviter tout risque d'électrocution, ne plongez pas l'embase du blender dans de l'eau ou tout autre liquide.
- Débranchez l'appareil de la prise électrique lorsqu'il n'est pas utilisé, avant d'installer ou de retirer des pièces, et avant de le nettoyer.
- Évitez tout contact avec les pièces en rotation.
- N'utilisez PAS un appareil si son cordon ou sa fiche d'alimentation sont endommagés, s'il fonctionne mal, s'il est tombé ou a été endommagé de quelque façon que ce soit. Contactez immédiatement votre revendeur ou distributeur pour que l'appareil soit examiné, réparé, remplacé, ou fasse l'objet de réglages électriques ou mécaniques.
- Toute altération ou modification d'une pièce ou d'un composant du blender, y compris l'utilisation d'une pièce, d'un composant ou d'un accessoire qui n'est pas une pièce authentique autorisée par Vitamix, risque de provoquer un incendie, un choc électrique ou des blessures corporelles.
- L'utilisation d'accessoires non expressément autorisés ni vendus par Vitamix, tels que des bocaux de conserve, peut présenter un risque d'incendie, d'électrocution ou de blessure.
- Si votre appareil est équipé d'une fonctionnalité de vitesse variable, démarrez toujours à la vitesse la plus lente.
- N'UTILISEZ PAS l'appareil pour tout autre usage que celui pour lequel il a été conçu.
- La charge normale maximale équivaut aux onces (litres) indiquées sur le récipient, à savoir 64 onces /2,0 litres, 48 onces /1,4 litre (une quantité moindre est requise pour les préparations épaisses).
- N'UTILISEZ PAS l'appareil en extérieur.
- NE LAISSEZ PAS le cordon pendre au bord d'une table ou d'une surface de travail, ou entrer en contact avec des surfaces chaudes, notamment une plaque de cuisson.
- Éloignez vos mains et tout ustensile du récipient pendant le mélange pour éviter de vous blesser gravement ou d'endommager le blender. Le pilon peut être utilisé pendant le mélange dans le récipient. Un racleur en caoutchouc ou une spatule peuvent être utilisés, mais uniquement lorsque le blender est arrêté. Ne laissez pas un pilon, un racleur ou tout autre ustensile dans le récipient lorsqu'il fonctionne ou lorsque le moteur est arrêté.
- Les couteaux sont tranchants. Lorsque vous nettoyez le récipient, faites preuve de précaution afin de ne pas vous blesser.
- Pour réduire le risque de blessures, ne placez jamais l'ensemble de couteaux sur l'embase moteur, sauf s'il est installé dans le récipient.
- NE laissez PAS d'objets étrangers dans le récipient, comme des cuillères, des fourchettes, des couteaux ou le bouchon du couvercle, au risque d'endommager les couteaux et les autres composants lors du démarrage de l'appareil, et de provoquer des blessures corporelles.
- N'essayez jamais de faire fonctionner le blender si les couteaux sont endommagés.
- Le couvercle et son bouchon DOIVENT être correctement mis en place lors du mélange. Le bouchon du couvercle doit être uniquement retiré lors de l'ajout d'ingrédients ou de l'utilisation du pilon.
- Lorsque vous préparez du beurre de noix ou des aliments à base d'huile, ne prolongez pas le fonctionnement pendant plus d'une minute après le début de rotation du mélange dans le récipient. En prolongeant le mixage, vous risquez de provoquer une surchauffe du moteur.
- AVERTISSEMENT : lorsque vous mélangez des liquides chauds :
 - Le couvercle en deux parties doit être correctement mis en place, afin de permettre à la vapeur de s'évacuer naturellement et d'empêcher le couvercle de se détacher lorsque l'appareil fonctionne.
 - Ne commencez pas le mélange de liquides chauds à la vitesse Haute. Commencez toujours le mélange de liquides chauds à la vitesse Lente, puis passez à la vitesse Haute lorsque l'appareil fonctionne.
 - Manipulez avec précaution les liquides chauds. Des éclaboussures peuvent provenir du dessous du bouchon du couvercle ou de la vapeur peut vous ébouillanter.
 - Ne mélangez pas des ingrédients chauds avec le couvercle sans maintien Vitamix.

CONSERVEZ CES INSTRUCTIONS**REMARQUES IMPORTANTES !**

Les instructions reprises dans ce manuel d'utilisation et d'entretien ne couvrent pas tous les problèmes et situations susceptibles de se produire. Faites preuve de bon sens et de prudence lorsque vous utilisez et entretenez un appareil.

INSTRUCTIONS IMPORTANTES POUR UNE UTILISATION EN TOUTE SÉCURITÉ

Ne laissez pas votre blender Vitamix sans surveillance pendant son fonctionnement.

Toutes les opérations de réparation, de révision ou de remplacement de pièces doivent être effectuées par Vitamix ou un représentant SAV agréé.

REMARQUE : LE NON-RESPECT DE L'UNE DES CONSIGNES DE SÉCURITÉ OU INSTRUCTIONS IMPORTANTES DESTINÉES À PERMETTRE UNE UTILISATION EN TOUTE SÉCURITÉ CONSTITUE UN USAGE INAPPROPRIÉ DE VOTRE BLENDER VITAMIX SUSCEPTIBLE D'ENTRAÎNER L'ANNULATION DE VOTRE GARANTIE ET DE PROVOQUER UN RISQUE DE BLESSURES GRAVES.

Entretien de votre blender Vitamix®

Afin de maximiser la durée de vie et de maintenir votre produit Vitamix® en bon état de fonctionnement, il est important de suivre quelques conseils simples d'entretien :

1. Inspectez régulièrement la douille d'entraînement pour vérifier l'absence d'usure, de fissures ou de ruptures visibles. Si vous trouvez des dommages, remplacez la douille d'entraînement par la douille d'entraînement supplémentaire incluse avec votre blender. Pour acheter des douilles d'entraînement supplémentaires, contactez Vita-Mix® Corporation (ci-après, « Vitamix ») au 1 800 437-4654. Pour les clients en dehors des États-Unis, contactez votre distributeur Vitamix autorisé, appelez la Division internationale de Vitamix au +1 440 782-2450 ou envoyez un e-mail à commercial@vitamix.com (pour les États-Unis et le Canada) ou à international@vitamix.com (en dehors des États-Unis et du Canada) pour obtenir une aide.
2. Faites pivoter manuellement l'ensemble de roulements des couteaux pour vous assurer qu'il tourne sans encombre, sans pour autant tourner librement. Si le couteau hésite à tourner ou si sa rotation est trop aisée, contactez Vitamix pour obtenir des informations relatives à la garantie ou pour trouver un vendeur près de chez vous.
3. Ne faites jamais fonctionner l'appareil sans que le socle de centrage ne soit correctement placé sur l'embase et ne retirez jamais le récipient de l'embase lorsque les couteaux sont toujours en mouvement.

Garantie limitée - (sauf indication contraire dans le Contrat)

Vita-Mix® Corporation (ci-après dénommée « Vita-Mix ») garantit à l'utilisateur final original (« Acheteur ») que ses blenders Vitamix commerciaux, comprenant une embase moteur, un récipient et un couvercle (ci-après dénommés « Matériel »), sont exempts de défauts matériels et de fabrication pendant la période de garantie applicable au Matériel, telle que décrite ici, et sont soumis aux conditions présentées ci-dessous. Une preuve d'achat est requise.

Ce qui suit constitue les seuls recours de l'Acheteur et présente les seules obligations de Vitamix au titre de la garantie.

Aucun employé de Vitamix ni aucune autre personne n'est autorisé à donner une garantie supplémentaire ou à apporter des modifications à la présente garantie.

Ce qui est couvert par la garantie**A. Garantie de l'embase moteur (inclut le panneau de contrôle et le pavé tactile)**

Vitamix garantit à l'utilisateur final original que :

- Si le socle-moteur présente un défaut matériel ou de fabrication dans les trente (30) jours qui suivent la date de l'achat, Vitamix remplacera le socle-moteur par un nouveau socle-moteur.
- Si le socle-moteur tombe en panne en raison d'un défaut matériel ou de fabrication entre trente (30) jours et un (1) an après la date d'achat, Vitamix assumera la responsabilité du coût des pièces détachées et de la main-d'œuvre nécessaires à la réparation du socle-moteur.
- Si le socle-moteur tombe en panne en raison d'un défaut matériel ou de fabrication dans les trois (3) ans qui suivent la date de l'achat, Vitamix assumera la responsabilité du coût de toutes les pièces nécessaires à la réparation du socle-moteur.

B. Garantie du récipient, du couvercle, du bouchon du couvercle, du socle de centrage, de l'ensemble de couteaux, de la douille d'entraînement et de la protection anti-bruit (si incluse). Vitamix garantit à l'utilisateur final original que si la protection anti-bruit, le bol, le couvercle, l'ensemble des couteaux ou la douille d'entraînement se cassent en raison d'un défaut matériel ou de fabrication dans un délai de un (1) an après la date d'achat, Vitamix assumera la responsabilité du coût de toutes les pièces et de la main-d'œuvre nécessaires à la réparation du composant.

La seule obligation de Vitamix au titre de ces garanties est de réparer ou de remplacer la ou les pièces sous garantie, comme déterminé exclusivement par Vitamix.

EN AUCUN CAS, QUE CE SOIT PAR RAPPORT AU CONTRAT, À UN REMBOURSEMENT, À UNE GARANTIE, À UN TORT (Y COMPRIS UNE NÉGLIGENCE), À UNE RESPONSABILITÉ STRICTE OU AUTRE, VITAMIX NE POURRA PAR ÊTRE TENUE RESPONSABLE DE TOUT DOMMAGE PARTICULIER, INDIRECT OU CONSÉCUTIF, INCLUANT, SANS S'Y LIMITER, LA PERTE DE BÉNÉFICES OU DE REVENUS. LA GARANTIE LIMITÉE CI-DESSUS CONSTITUE VOTRE UNIQUE RECOURS, ET VOUS ET VITAMIX DÉCLINEZ EXPRESSÉMENT TOUTE AUTRE GARANTIE OU CONDITION, EXPRESSE OU TACITE, LÉGALE OU AUTRE, Y COMPRIS TOUTE GARANTIE TACITE RELATIVE À LA QUALITÉ MARCHANDE OU TOUTE GARANTIE TACITE D'APTITUDE À UN USAGE PARTICULIER ET, SANS LIMITER LA GÉNÉRALITÉ DE CE QUI PRÉCÈDE, VOUS ET VITAMIX EXCLUEZ EXPRESSÉMENT, DANS LE CADRE AUTORISÉ PAR LA LOI, L'APPLICATION DE TOUTE LÉGISLATION RELATIVE À LA VENTE DE BIENS ET LA CONVENTION DES NATIONS UNIES SUR LES CONTRATS DE VENTE INTERNATIONALE DE MARCHANDISES, LE CAS ÉCHÉANT.

Certaines juridictions ne permettent pas de limitation des garanties implicites ou des dommages particuliers, indirects ou consécutifs.

Ce qui n'est pas couvert par la garantie (exclusions de couverture)

Ces garanties n'incluent pas les réparations nécessaires en raison de :

- A. L'usure normale ;
- B. L'utilisation excessive, inadéquate ou négligente ;

- C. L'altération du Matériel, notamment, mais sans s'y limiter, de l'embase moteur, du récipient, du couvercle ou de la protection anti-bruit ;
- D. L'exposition à des conditions extrêmes ; ou
- E. L'installation incorrecte du Matériel, notamment, mais sans s'y limiter, le mauvais travail de fabrication, le non-respect des spécifications fournies ou la ventilation inappropriée des modèles « encastrés » de l'unité de mélange.

Conditions d'application des garanties (conditions de couverture)

Les garanties contenues ici ne sont valables que pour l'utilisateur final original et elle ne sont pas transférables. Une preuve d'achat est requise pour toute demande de garantie.

Toute garantie offerte par Vitamix est uniquement valide si elle est utilisée conformément : a) au manuel de l'utilisateur qui peut également être consulté sur la page www.vitamix.com ; b) à la garantie expresse ; et c) à toutes les consignes de maintenance, quelle que soit la date à laquelle elles ont été communiquées.

Conditions d'annulation de la garantie

Toutes les garanties du produit sont annulées si :

- Le blender est placé dans une protection anti-bruit non fabriquée par Vitamix.
- Tout composant d'une pièce du Matériel sous garantie a été modifié, altéré, « remis en état » ou réparé par une personne autre qu'un employé de Vitamix, un centre d'entretien Vitamix autorisé ou un distributeur Vitamix autorisé.
- Tout composant Vitamix sous garantie est utilisé avec un composant non autorisé expressément par écrit par Vitamix (à savoir, utilisation d'un récipient Vitamix avec une embase moteur d'une marque autre que Vitamix ou utilisation d'une embase moteur Vitamix avec un récipient d'une marque autre que Vitamix).
- Toute pièce du blender est mal installée, notamment, mais sans s'y limiter, en raison d'un mauvais travail de fabrication, du non-respect des spécifications fournies ou d'une ventilation inappropriée des modèles « encastrés ».

Comment faire appliquer la garantie et obtenir des réparations

Qui contacter pour l'entretien et les réparations couverts par la garantie. Dans le cas où votre blender Vitamix aurait besoin d'entretien ou de réparations couverts sous les conditions de cette garantie, veuillez appeler Vita-Mix Corporation, un centre de service autorisé ou un distributeur local pour toute aide concernant la garantie.

- Pour le Matériel acheté et situé aux États-Unis et au Canada, appelez le service clientèle commercial de Vitamix au numéro : 800 437-4654.
- Pour le matériel acheté en dehors des États-Unis, contactez votre distributeur Vita-Mix autorisé, appelez la Division internationale de Vita-Mix au +1 440 782-2450 ou envoyez un e-mail à international@vitamix.com pour trouver un distributeur près de chez vous.

Vous devrez fournir une preuve d'achat du Matériel. Si l'équipe d'assistance technique distante ne peut réparer le Matériel à distance, le Matériel devra faire l'objet d'un entretien. L'équipe vous aidera à trouver un centre d'entretien autorisé ou à retourner le Matériel à Vitamix.

Comment expédier le Matériel à Vitamix pour le faire réparer

- A. Obtenez un Numéro d'autorisation de retour avant l'expédition. Ne retournez ni n'envoyez de Matériel sans l'autorisation de Vitamix. Vitamix ne sera en aucun cas responsable du coût de réparations non autorisées. Tous les retours de Matériel doivent avoir leur Numéro d'autorisation de retour (« RA ») clairement indiqué sur l'extérieur de leur boîte. Tout Matériel envoyé à Vitamix sans autorisation ou accord préalable sera renvoyé à l'adresse de l'expéditeur « tel quel », sans réparation.
- B. Emballez correctement l'élément retourné. Tout article renvoyé à Vitamix doit être expédié dans son emballage d'origine ou dans un emballage suffisant.

1 Bouton de mise sous tension : poussez le bouton vers le haut (I) pour mettre l'appareil en marche. Poussez le bouton vers le bas pour éteindre l'appareil (O).

2 Commandes : pour obtenir de plus amples informations, consultez la section relative au panneau de contrôle.

! MISE EN GARDE : les couvercles et les pilons ne sont pas interchangeables et dépendent du style, du type et de la taille du récipient.

3 Récipient de 64 onces avec couvercle en deux parties :

- **Utilisez toujours le couvercle et le bouchon lorsque l'appareil est en fonctionnement.**
- **N'utilisez jamais le blender sans que le couvercle ne soit bien verrouillé.**
- Les mesures en gramme (onces), millilitre et litre (tasses) sont clairement indiquées.
- Insérez le bouchon du couvercle dans l'orifice prévu à cet effet, puis verrouillez-le en le tournant dans le sens horaire.
- Retirez le bouchon du couvercle pour utiliser le pilon ou pour ajouter des ingrédients.

4 Pilon : le pilon permet d'éviter les poches d'air qui risquent de bloquer la circulation des ingrédients.

5 Couvercle en deux parties (couvercle et bouchon) :

Pour verrouiller le couvercle : Le couvercle doit toujours être verrouillé lors du processus de mixage, notamment en présence de liquides chauds qui peuvent vous ébouillanter. **N'utilisez jamais le blender sans que le couvercle ne soit bien verrouillé.** Le couvercle est doté d'un rebord continu qui s'insère dans les languettes du récipient. Poussez un côté du rebord sous une languette et enfoncez la languette opposée pour fixer le couvercle.

Pour retirer le couvercle : placez les mains autour du couvercle en appuyant avec vos pouces sur les languettes du récipient. Poussez et soulevez en même temps.

Pour retirer le bouchon du couvercle : faites pivoter le bouchon dans le sens antihoraire, de la position « verrouillée » à « déverrouillée », puis retirez-le.

6 Cordon d'alimentation : le cordon d'alimentation du blender est équipé d'une fiche à trois branches (mise à la terre) qui s'insère dans une prise murale à trois douilles. En dehors des États-Unis, ce cordon varie en fonction du pays.

Des adaptateurs sont disponibles pour les prises à deux douilles. Ne coupez ni n'enlevez pas la troisième branche (mise à la terre) de la prise ou du cordon d'alimentation. Demandez conseil à un électricien au cas où vous ne sauriez pas si votre prise murale est raccordée à la terre via le câblage du bâtiment. Avec une prise murale à deux douilles correctement mise à la terre, raccordez l'appareil en branchant la languette de l'adaptateur au cache de la prise murale à l'aide d'une vis dans le centre du cache.

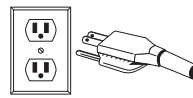
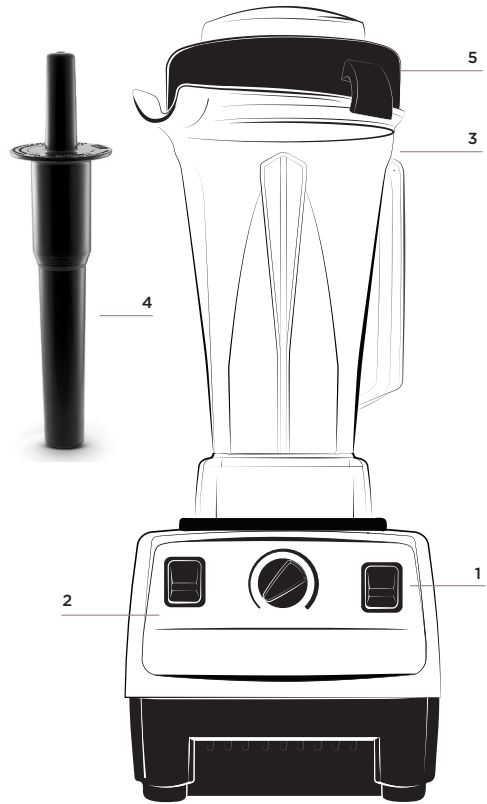


FIGURE A

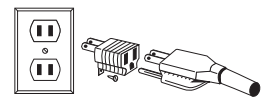
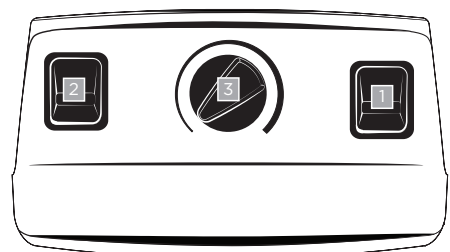


FIGURE B

COMMANDES

- 1 Bouton de mise sous tension :** poussez le bouton vers le haut (I) pour mettre l'appareil en marche. Poussez le bouton vers le bas pour éteindre l'appareil (O).
- 2 Bouton de vitesse rapide/variable :** la position Rapide (Δ) est la vitesse la plus élevée. Passez sur Variable (∇) pour activer la vitesse variable. **Positionnez toujours le bouton de vitesse Haute/Variable sur Variable (∇) avant de mettre le bouton de mise sous tension sur Marche (I).** Ne démarrez pas l'appareil lorsque ce bouton est sur Rapide (Δ).
- 3 Sélecteur de vitesse variable :** réglez la vitesse. Ce réglage ne fonctionne que lorsque le bouton de vitesse Haute/Variable est en position Variable (∇).



⚠ MISE EN GARDE



Lorsque les couteaux sont en rotation, ils peuvent provoquer des dommages.

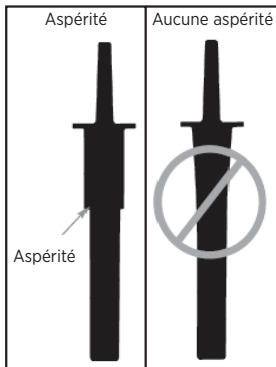
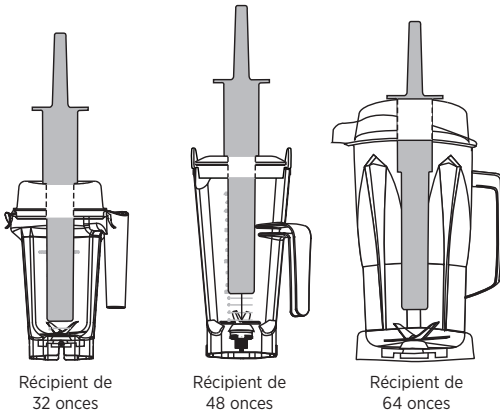
Les couvercles et les pilons ne sont pas interchangeables et dépendent du style, du type et de la taille du bol. Utilisez le pilon qui a été fourni avec votre appareil.

Comment identifier le poussoir qui peut être utilisé avec votre bol.

Le pilon est conçu pour être utilisé efficacement et en toute sécurité avec des récipients commerciaux. **Si votre bol a été livré avec un pilon, c'est ce modèle qui lui convient.**

Pour vérifier que vous utilisez le pilon approprié, placez le couvercle sur un récipient vide, retirez le bouchon du couvercle, puis insérez le pilon. Le pilon doit s'insérer facilement dans l'ouverture du couvercle mais sans entrer en contact avec les couteaux, même si vous le déplacez dans le récipient. **SI LE PILON TOUCHE LES COUTEAUX, QUELLE QUE SOIT L'INCLINAISON, NE L'UTILISEZ PAS AVEC VOTRE BOL.**

Si vous ne disposez pas du pilon adapté à votre récipient, contactez le service à la clientèle de Vitamix aux États-Unis et au Canada au 800 886-5235 ou envoyez un e-mail à commercial@vitamix.com. En dehors des États-Unis et du Canada, téléphonez au +1 440 782-2450 ou envoyez un e-mail à l'adresse international@vitamix.com. Si une assistance technique s'avère nécessaire, envoyez un e-mail à l'adresse suivante : commercialts@vitamix.com.



⚠ AVERTISSEMENT



Lorsque les couteaux sont en rotation, ils peuvent provoquer des blessures graves.

NE TENTEZ PAS d'introduire les mains, une spatule ou un autre objet dans le bol lorsque l'appareil est en fonctionnement ou lorsque le bol se trouve sur l'embase moteur.

Les couvercles et les pilons ne sont pas interchangeables et dépendent du style, du type et de la taille du bol. Utilisez le pilon qui a été fourni avec votre appareil.

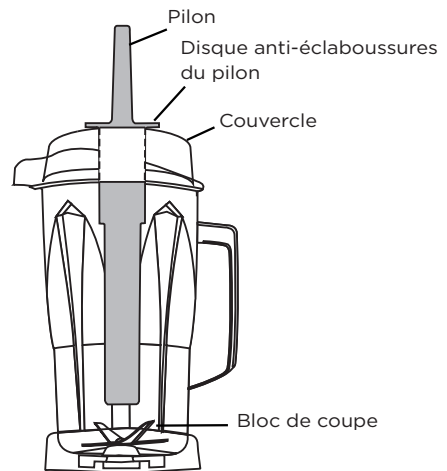
Ne forcez pas le pilon dans le récipient de 32 onces.

N'utilisez pas un pilon sans aspérité, quel que soit le récipient Vitamix commercial utilisé.



IMPORTANT !

- Le disque anti-éclaboussures (vers le haut du pilon) et le couvercle empêchent le pilon de toucher les couteaux lorsque le couvercle est correctement fermé en position « verrouillée ».
- Le bol doit être rempli aux deux tiers (ou moins) lorsque le pilon est utilisé durant le mélange.
- Afin d'éviter une surchauffe durant le mélange, N'UTILISEZ PAS le pilon plus de 30 secondes consécutives.
- Si les ingrédients ne circulent pas, il se peut qu'une bulle d'air se soit formée dans l'appareil. Retirez avec précaution le bouchon de couvercle tout en vous assurant que le couvercle reste fermement en place. Éliminez la poche d'air en insérant le pilon par l'orifice du bouchon de couvercle.
- Il est possible que le simple maintien du pilon en position verticale ne facilite pas la circulation des ingrédients. Si nécessaire, orientez le pilon vers les côtés ou les coins du récipient. **NE TENTEZ PAS** de forcer le pilon vers le fond du bol.



⚠ AVERTISSEMENT



Le bouchon du couvercle doit être uniquement retiré lors de l'ajout d'ingrédients ou de l'utilisation du pilon.
Démarrez toujours le blender avec le sélecteur de vitesse variable sur 1 et l'interrupteur Rapide/Lent sur la position Lent. Pour éviter tout risque de brûlure, ne démarrez jamais avec des vitesses supérieures à 1 ou avec l'interrupteur High/Low (Haut/Lent) sur la position Haute lorsque vous mixez des liquides chauds.



- **Mélangez à la vitesse Haute (Δ) aussi longtemps que possible pour les jus de fruits entiers, les soupes, les boissons fouettées, les préparations glacées, les purées, les beurres de noix et le broyage de grains. En règle générale, les temps de traitement sont inférieurs à une minute (moins de 30 secondes la plupart du temps).**
- **CONSEIL : en cas de mixage prolongé à une vitesse trop lente, l'appareil peut surchauffer et la protection automatique contre la surcharge peut provoquer l'arrêt de l'appareil. Le mélange à la vitesse Haute (Δ) utilise le ventilateur de refroidissement du moteur pour éviter toute surchauffe.**
- Lorsque la vitesse Haute (Δ) est enclenchée, si les aliments ne circulent pas, retirez doucement le bouchon du couvercle en vous assurant que le couvercle reste en place. Remuez la préparation après avoir inséré le pilon par l'ouverture du bouchon du couvercle. Si les problèmes de circulation persistent, réduisez la vitesse de l'appareil. Une vitesse inférieure peut permettre aux aliments de circuler. Ajoutez du liquide si nécessaire. NE REMPLISSEZ pas de façon excessive. Une fois que les aliments circulent normalement, redéfinissez la vitesse sur Haute (Δ) et continuez le mélange.
- Lorsque vous préparez du beurre de noix ou des aliments à base d'huile, ne prolongez pas le fonctionnement pendant plus d'une minute après le début de rotation du mélange dans le récipient. En prolongeant le mixage, vous risquez d'endommager le bol et de provoquer une surchauffe du moteur.
- **Protection automatique contre la surcharge :** votre moteur Vitamix intègre une protection contre la surchauffe. En cas d'arrêt du moteur, mettez l'appareil hors tension pendant 45 minutes afin de réinitialiser le moteur.

1. Vérifiez que le sélecteur de vitesse variable est en position 1.
2. Remplissez le récipient avant de le placer sur l'embase moteur. Placez d'abord les liquides et les aliments mous dans le récipient, puis les aliments solides et la glace en dernier.
3. Verrouillez fermement le couvercle en deux parties. Utilisez toujours le couvercle en 2 parties (avec son bouchon) lors du mélange, à moins que le pilon ne soit inséré dans l'orifice du couvercle. Lors du mélange d'ingrédients chauds, assurez-vous que le couvercle est bien verrouillé.
4. Lorsque le moteur est arrêté, installez le récipient pour couteau humide sur l'embase moteur en l'emboîtant sur le tampon de centrage. N'essayez pas d'installer un récipient sur l'embase moteur en fonctionnement ou de faire marcher l'embase moteur si le récipient n'est pas correctement installé.
5. Commencez avec le bouton High/Variable (Vitesse Haute/Variable) en position Variable (↙). Démarrez toujours votre appareil sur la vitesse variable 1. Activez l'appareil en tournant le bouton de mise sous tension sur On (I) (Marche) puis augmentez lentement pour obtenir la vitesse souhaitée. Votre récipient se positionnera et s'alignera automatiquement.
6. **Faites attention lorsque vous manipulez et mélangez des ingrédients chauds et lorsque vous faites des soupes et des sauces chaudes.**
7. En raison de la vitesse de l'appareil, le temps de préparation est beaucoup plus rapide qu'avec des appareils standard.
8. Une fois l'appareil éteint, attendez l'arrêt complet des couteaux avant de retirer le couvercle ou le bol de l'embase moteur.

⚠ AVERTISSEMENT



Risque d'électrocution.

Débranchez l'appareil avant de le nettoyer.
Le non-respect des instructions fournies peut provoquer un risque d'électrocution, voire la mort.



Nettoyage normal :

1. Remplissez à moitié le bol avec de l'eau chaude et ajoutez-y quelques gouttes de liquide vaisselle. Refermez ou poussez le couvercle en 2 parties (avec son bouchon) en position verrouillée.
2. Sélectionnez la vitesse variable 1. Allumez la machine et augmentez lentement la vitesse jusqu'à 10, puis jusqu'à la vitesse rapide. Laissez tourner l'appareil en vitesse rapide pendant 30 à 60 secondes.
3. Éteignez l'appareil. Rincez et égouttez le bol.

Pour désinfecter :

1. Suivez les instructions indiquées dans la section « Nettoyage normal » ci-dessus.
2. Remplissez à moitié le récipient avec de l'eau et une cuillerée à thé et demie d'eau de Javel. Refermez ou poussez le couvercle en 2 parties (avec son bouchon) en position verrouillée.
3. Sélectionnez la vitesse variable 1. Allumez la machine et augmentez lentement la vitesse jusqu'à 10, puis jusqu'à la vitesse rapide. Laissez tourner l'appareil en vitesse Haute pendant 30 à 60 secondes.
4. Arrêtez l'appareil et laissez reposer la préparation dans le récipient pendant 1 minute et demie supplémentaire.
5. Videz le mélange javellisé. Laissez sécher le bol à l'air libre. Ne rincez pas après désinfection.

Couvercle, bouchon du couvercle et pilon

Séparez le couvercle de son bouchon. Nettoyez les pièces dans de l'eau chaude savonneuse. Rincez bien à l'eau courante, puis séchez. Remontez l'ensemble avant utilisation.

Embase moteur :

1. Débranchez le cordon d'alimentation.
2. Lavez la partie externe avec une éponge ou un chiffon doux humide, rincé avec un mélange de détergent non corrosif et d'eau chaude. N'immergez pas l'embase moteur dans l'eau.
3. Vous pouvez retirer le tampon de centrage pour un nettoyage plus méticuleux.
4. Nettoyez minutieusement les boutons de sorte à les actionner librement. Au bout d'un certain temps, ils peuvent devenir collants. Humectez un coton-tige avec un produit ménager dégraissant ou nettoyant, et nettoyez les rainures autour des boutons. Séchez immédiatement toutes les surfaces.
5. Essuyez avec un chiffon doux.

CARACTÉRISTIQUES

Volts : 120 V.c.a.	Volts : 100 V.c.a. (Japon)
Ampères : 11,5 (puissance maximale de 2+*)	Watts : 900 (puissance maximale de 2+*)
12,5 (puissance maximale de 3+*)	Watts : 975 (puissance maximale de 3+*)
Hertz : 50/60	Hertz : 50/60
Volts : 220-240 V.c.a.	Volts : 120 V.c.a. CEM (Taiwan)
Watts : 750-850 (puissance maximale de 2+*)	Ampères : 11,5 (puissance maximale de 2+*)
Watts : 1100-1200 (puissance maximale de 3+*)	Hertz : 60
Hertz : 50/60	

*varie en fonction de la tension

VITA-PREP® и VITA-PREP® 3

VM0101D и VM0103D

РАЗДЕЛЫ

Английский	1
Немецкий	7
Шведский	13
Французский	19
Русский	25
Испанский	31
Итальянский	37
Португальский	43
Арабский	49

ОБОЗНАЧЕНИЯ

	Предупреждение.		Внимание!
	НИ В КОЕМ СЛУЧАЕ не прикасайтесь к движущимся частям устройства. Не помещайте руки или инструменты в контейнер.		Во время работы устройства крышка и пробка для крышки должны находиться на своих местах.
	Опасность поражения электрическим током.		Прочтите и примите к сведению руководство пользователя.
	Высокая температура при смешивании горячих жидкостей.		Не погружайте устройство в жидкость.
	НЕ ПОМЕЩАЙТЕ никакие предметы в контейнер во время работы блендера.		Включение и выключение устройства.
	Отключайте питание, если блендер не используется, а также перед очисткой, заменой вспомогательных приспособлений или когда во время работы блендера необходимо приблизиться к его движущимся частям.		

ИНФОРМАЦИЯ О ПЕРЕРАБОТКЕ

Изготовитель этого изделия осознает необходимость защиты окружающей среды.

Это изделие может содержать вещества, вредные для окружающей среды при утилизации в местах, не установленных законодательством (например, на свалках).

Символ перечеркнутого мусорного контейнера нанесен на этом изделии в качестве рекомендации осуществлять переработку по мере возможности.

Соблюдайте принципы экологической ответственности: по истечении срока эксплуатации возвращайте изделие в местный центр по переработке отходов.



Корпорация Vita-Mix® Коммерческий отдел

8615 Usher Road, Cleveland, Ohio 44138 U.S.A.

Тел. (США и Канада): 1-800-437-4654

Тел. (международное подразделение): +1-440-782-2450

Служба технического обслуживания: 1-800-886-5235

Эл. почта: commercial@vitamix.com

commercialts@vitamix.com

Полный ассортимент изделий Vitamix см. на веб-сайте vitamix.com.

⚠ ПРЕДУПРЕЖДЕНИЕ



Во избежание получения телесных повреждений выполняйте следующие требования.

Перед использованием этого устройства прочтите и примите к сведению данное руководство по эксплуатации. Соблюдайте основные правила техники безопасности, включая следующие.



⚠ ПРЕДУПРЕЖДЕНИЕ



Опасность поражения электрическим током.

Используйте ТОЛЬКО заземленную розетку.

НЕ извлекайте заземляющий контакт.

НЕ используйте переходник.

НЕ используйте удлинитель.

Несоблюдение инструкций может привести к смерти или поражению электрическим током.

ПЕРЕД ИСПОЛЬЗОВАНИЕМ БЛЕНДЕРА ПРОЧТИТЕ ВСЕ ИНСТРУКЦИИ, ПРАВИЛА ТЕХНИКИ БЕЗОПАСНОСТИ И ПРЕДУПРЕЖДЕНИЯ.

1. Прочтите все указания.
2. При использовании электроприбора детьми или инвалидами или в присутствии детей или инвалидов необходим строгий надзор.
3. Блендер не предназначен для использования лицами с ограниченными физическими, сенсорными или умственными способностями или лицами с недостаточным опытом и знаниями, за исключением случаев, когда они работают под присмотром или получили инструкции относительно использования устройства от лица, ответственного за их безопасность.
4. Во избежание риска поражения электрическим током не погружайте моторный блок в воду или другую жидкость.
5. Отключайте устройство от розетки, когда оно не используется, перед установкой или снятием деталей и перед очисткой.
6. Не прикасайтесь к движущимся частям устройства.
7. НЕ используйте электроприбор, если его кабель или вилка повреждены, при возникновении в нем неисправностей или в случае его падения или повреждения. Немедленно свяжитесь с продавцом или дистрибьютором для проверки, ремонта, замены или регулировки электрической или механической части.
8. Изменение или модификация какой-либо части или компонента блендера, включая использование неоригинальных деталей, компонентов или принадлежности, не рекомендованных компанией Vitamix, может стать причиной пожара, поражения электрическим током или получения травмы.
9. Использование вместе с этим блендером насадок, не рекомендованных и не продаваемых непосредственно компанией Vitamix, в том числе банок для консервирования, может привести к возникновению пожара, поражению электрическим током или получению травмы.
10. Если устройство оснащено функцией регулирования скорости, всегда начинайте смешивание на самой низкой скорости.
11. НЕ используйте устройство в целях, для которых оно не предназначено.
12. Максимальная нормальная нагрузка соответствует количеству литров (унций), указанных на контейнере, например 2,0 л (64 унции); 1,4 л (48 унций), однако она значительно меньше для густых масс.
13. НЕ используйте устройство вне помещения.
14. НЕ допускайте свисания кабеля питания с края стола или рабочей поверхности, а также контакта с горячими поверхностями, включая плиту.
15. Не помещайте руки или инструменты в контейнер во время смешивания, чтобы снизить риск получения серьезных травм или повреждения блендера. Во время смешивания в контейнере можно использовать трамбовку. Можно использовать резиновый скребок или лопатку, но только если блендер отключен. Не оставляйте в контейнере трамбовку, скребок и другие устройства во время работы блендера, а также когда мотор выключен.
16. Ножи заострены. Во время очистки контейнера соблюдайте осторожность, чтобы избежать травм.
17. Чтобы снизить риск получения травмы, не размещайте узел ножей на основании мотора, если только он не установлен в контейнере.
18. НЕ оставляйте в контейнере посторонние предметы, например ложки, вилки, кухонные ножи или пробку для крышки, поскольку это может повредить ножи и другие компоненты при запуске устройства и привести к травме.
19. Запрещено использовать блендер с поврежденными ножами.
20. Во время смешивания крышка и пробка для крышки ДОЛЖНЫ быть надежно зафиксированы. Пробку можно вынимать из крышки только при добавлении ингредиентов и использовании трамбовки.
21. При приготовлении ореховой пасты или блюд на основе масел обрабатывайте ингредиенты не более минуты с момента начала вращения смеси в контейнере. Более длительные периоды обработки могут привести к опасному перегреву.
22. ПРЕДУПРЕЖДЕНИЕ. При обращении с горячими жидкостями всегда выполняйте следующие рекомендации:
 - Двухкомпонентная фиксирующая крышка должна быть надежно зафиксирована. Это обеспечит естественное удаление пара и будет удерживать крышку на месте во время работы устройства.
 - Не начинайте обработку горячих жидкостей на ВЫСОКОЙ скорости. Всегда начинайте обработку горячих жидкостей на НИЗКОЙ скорости, а затем, не выключая устройство, переключите на ВЫСОКУЮ скорость.
 - Соблюдайте осторожность при работе с горячими жидкостями. Брызги из-под пробки для крышки или выходящий пар могут привести к ожогу.
 - Не обрабатывайте горячие ингредиенты в блендерах Vitamix без фиксирующей крышки.

СОХРАНИТЕ ЭТУ ИНСТРУКЦИЮ

ВАЖНЫЕ ПРИМЕЧАНИЯ

Инструкции, содержащиеся в этом руководстве по эксплуатации и уходу, не являются исчерпывающими в отношении всех возможных условий и ситуаций. Следует руководствоваться здравым смыслом и соблюдать осторожность при эксплуатации и техническом обслуживании любого устройства.

ВАЖНЫЕ УКАЗАНИЯ ПО ПОВОДУ БЕЗОПАСНОЙ ЭКСПЛУАТАЦИИ УСТРОЙСТВА

Не оставляйте работающий блендер Vitamix без присмотра.

Все работы по ремонту, техническому обслуживанию или замене компонентов должны выполняться компанией Vitamix или представителем авторизованного центра технической поддержки.

УВЕДОМЛЕНИЕ. НЕСОБЛЮДЕНИЕ КАКИХ-ЛИБО ВАЖНЫХ ПРАВИЛ ТЕХНИКИ БЕЗОПАСНОСТИ И УКАЗАНИЙ ПО ПОВОДУ БЕЗОПАСНОЙ ЭКСПЛУАТАЦИИ УСТРОЙСТВА РАССМАТРИВАЕТСЯ КАК НЕПРАВИЛЬНОЕ ИСПОЛЬЗОВАНИЕ БЛЕНДЕРА VITAMIX, КОТОРОЕ МОЖЕТ ПОВЛЕЧЬ ЗА СОБОЙ АНУЛИРОВАНИЕ ПРЕДОСТАВЛЕННОЙ ГАРАНТИИ И СОЗДАТЬ РИСК ПОЛУЧЕНИЯ СЕРЬЕЗНЫХ ТРАВМ.

Обслуживание блендера Vitamix®

Чтобы продлить срок службы блендера Vitamix® и поддерживать его в исправном техническом состоянии, важно выполнять следующие указания.

1. Периодически визуально проверяйте головку привода на предмет износа, трещин или повреждений. При обнаружении повреждения замените головку привода, используя запасную головку, входящую в комплект поставки блендера. Чтобы заказать дополнительную сменную головку привода, обращайтесь в компанию Vita-Mix® Corporation (далее — Vitamix) по телефону 1-800-437-4654. Клиенты за пределами США могут обращаться за помощью к авторизованному дистрибьютору компании Vitamix или в международное подразделение Vitamix по телефону +1-440-782-2450 или эл. почте commercial@vitamix.com (США, Канада), international@vitamix.com (за пределами США и Канады).
2. Вручную приведите в движение основание лезвий, чтобы убедиться в том, что оно вращается без затруднений или не слишком свободно. Если при вращении наблюдается заедание или нож вращается слишком свободно, обращайтесь в компанию Vitamix для получения информации о гарантии или ближайшем дилере.
3. Не запускайте блендер, если центрирующий вкладыш не установлен на моторном блоке должным образом. Не снимайте контейнер с моторного блока, пока ножи не перестанут двигаться.

Ограниченная гарантия (если иное не предусмотрено Контрактом)

Компания Vita-Mix® Corporation (далее — «Vitamix») гарантирует фактическому пользователю (далее — «Покупателю»), что промышленные блендеры Vitamix (в комплект поставки которых входят моторный блок, контейнер и крышка, далее — «Оборудование») не имеют дефектов материалов и производственных дефектов в течение гарантийного периода, действующего для данного Оборудования в соответствии с порядком, описанным в данном документе, и при условиях, изложенных ниже. Необходимо предоставить доказательство приобретения Оборудования.

Следующая гарантия является единственным средством защиты прав Покупателя и отражает только гарантийные обязательства Vitamix.

Ни один сотрудник Vitamix и никакие иные лица не имеют права предоставлять любые гарантии в дополнение к следующим гарантийным обязательствам или с целью изменения следующих гарантийных обязательств.

Распространение гарантии**A. Гарантия на моторный блок (который включает панель управления и сенсорную панель).**

Корпорация Vitamix гарантирует первоначальному конечному пользователю указанное далее.

- Если моторный блок выходит из строя из-за дефектов материалов или производственных дефектов в течение тридцати (30) дней с момента приобретения, Vitamix заменит моторный блок на новый.
- Если моторный блок выходит из строя из-за дефектов материалов или производственных дефектов по истечении тридцати (30) дней, но в течение одного (1) года с момента приобретения, Vitamix возместит стоимость всех запасных деталей и работ, необходимых для ремонта моторного блока.
- Если моторный блок выходит из строя по истечении одного года, но в течение трех (3) лет с момента приобретения, и причиной выхода из строя является дефект материалов или качество изготовления, Vitamix возместит стоимость всех запасных деталей, необходимых для ремонта моторного блока.

B. Гарантия на контейнер, крышку, пробку для крышки, центрирующий вкладыш, узел ножей, головку привода и звукоизолирующий колпак (если входит в комплект поставки). Vitamix гарантирует конечному пользователю, что в случае выхода из строя звукоизолирующего колпака, контейнера, крышки, узла ножа или головки привода в течение одного (1) года с момента приобретения, и причиной выхода из строя является дефект материалов или качество изготовления, Vitamix возместит стоимость всех запасных деталей и работ, необходимых для ремонта неисправного компонента.

Единственной обязанностью Vitamix в соответствии с настоящей гарантией является ремонт или замена деталей, на которые распространяется гарантия, в соответствии с условиями, определенными исключительно корпорацией Vitamix. **НИ ПРИ КАКИХ ОБСТОЯТЕЛЬСТВАХ, ВОЗНИКШИХ ВСЛЕДСТВИЕ ДЕЙСТВИЯ УСЛОВИЙ КОНТРАКТА, ГАРАНТИИ, ВОЗМЕЩЕНИЯ УБЫТКОВ, ДЕЛИКТА (ВКЛЮЧАЯ НЕБРЕЖНОСТЬ), СТРОГОЙ ОТВЕТСТВЕННОСТИ ИЛИ В ИНЫХ СИТУАЦИЯХ, VITAMIX НЕ НЕСЕТ ОТВЕТСТВЕННОСТИ НИ ЗА КАКИЕ ПРЯМЫЕ, КОСВЕННЫЕ, СПЕЦИАЛЬНЫЕ, СЛУЧАЙНЫЕ ИЛИ ПОСЛЕДУЮЩИЕ УБЫТКИ, В ТОМ ЧИСЛЕ, ЗА ПОТЕРЮ ПРИБЛИВИ ИЛИ ДОХОДА. НАСТОЯЩАЯ ОГРАНИЧЕННАЯ ГАРАНТИЯ ЯВЛЯЕТСЯ ЕДИНСТВЕННЫМ ПРАВОВЫМ СРЕДСТВОМ ПОКУПАТЕЛЯ, И ТЕМ САМЫМ ПОКУПАТЕЛЬ И VITAMIX БЕЗОГОВОРЧНО ОТКАЗЫВАЮТСЯ ОТ ЛЮБЫХ ДРУГИХ ГАРАНТИЙ ИЛИ УСЛОВИЙ, ЯВНО ВЫРАЖЕННЫХ ИЛИ ПОДРАЗУМЕВАЕМЫХ, ПРЕДУСМОТРЕННЫХ ЗАКОНОМ ИЛИ ИНЫМ ОБРАЗОМ, ВКЛЮЧАЯ ЛЮБЫЕ ПОДРАЗУМЕВАЕМЫЕ ГАРАНТИЙНЫЕ ОБЯЗАТЕЛЬСТВА, КАСАЮЩИЕСЯ ТОВАРНОЙ ПРИГОДНОСТИ И СООТВЕТСТВИЯ ОБОРУДОВАНИЯ ОПРЕДЕЛЕННОЙ ЦЕЛИ. БЕЗ ОГРАНИЧЕНИЯ ВЫШЕИЗЛОЖЕННЫХ ОБЩИХ ПОЛОЖЕНИЙ ПОКУПАТЕЛЬ И VITAMIX НАСТОЯЩИМ В ПРЯМОЙ ФОРМЕ ИСКЛЮЧАЮТ, В ТОЙ СТЕПЕНИ, В КОТОРОЙ ЭТО ДОПУСТИМО ЗАКОНОМ, ЛЮБОЕ ПРИМЕНЕНИЕ ТОВАРНОГО ЗАКОНОДАТЕЛЬСТВА И КОНВЕНЦИИ**

ОРГАНИЗАЦИИ ОБЪЕДИНЕННЫХ НАЦИЙ О ДОГОВОРАХ МЕЖДУНАРОДНОЙ КУПЛИ-ПРОДАЖИ ТОВАРОВ В ТЕХ СЛУЧАЯХ, КОГДА ЭТО ПРИМЕНИМО.

Некоторые юрисдикции не допускают ограничений в отношении подразумеваемых гарантий или фактических, побочных или случайных убытков.

Ограничение гарантии (исключение из гарантии)

Настоящая гарантия не распространяется на ремонт, необходимый в силу указанных далее причин.

- A. Естественный износ.
- B. Эксплуатация с нарушением правил, неправильное или небрежное использование.
- C. Изменение конструкции Оборудования, включая, помимо прочего, моторный блок, контейнер, крышку или звукоизолирующий колпак.
- D. Тяжелые условия эксплуатации.
- E. Неправильная установка Оборудования, в том числе низкое качество работы, несоблюдение требований и (или) неправильная вентиляция при использовании моделей, встраиваемых в прилавок.

Условия гарантии (условия покрытия гарантией)

Гарантийные обязательства, изложенные в настоящем документе, действуют только для первоначального конечного пользователя и не могут быть переданы другим лицам. Для предъявления претензий необходимо предоставить доказательство приобретения Оборудования.

Любая гарантия, предлагаемая Vitamix, действует только при использовании Оборудования в соответствии со следующими документами: а) руководством пользователя, доступ к которому можно также получить на сайте www.vitamix.com; б) явно выраженной гарантией; в) всеми инструкциями по техническому обслуживанию (независимо от момента их предоставления).

Аннулирование гарантии

Все гарантии аннулируются в указанных далее случаях.

- Установка блендера в звукоизолирующий колпак другого производителя не (Vitamix).
- Самостоятельное изменение, модернизация или ремонт любого компонента Оборудования или детали, на которые распространяется действие гарантии, пользователем без обращения к специалистам Vitamix, в авторизованный центр технической поддержки или к авторизованному дистрибьютору Vitamix.
- Использование любого компонента Vitamix, на который распространяется действие гарантии, в сочетании с компонентом, не разрешенным непосредственно компанией Vitamix в письменной форме (например, использование контейнера Vitamix с моторным блоком другого производителя и (или) использование моторного блока Vitamix с контейнером другого производителя).
- Неправильная установка любой детали блендера, в том числе низкое качество работы, несоблюдение требований и (или) неправильная вентиляция при использовании моделей, встраиваемых в прилавок.

Гарантийное обслуживание и ремонт

Куда обращаться для получения гарантийного обслуживания и ремонта? В случае если блендер Vitamix требует ремонта или обслуживания в соответствии с условиями настоящей гарантии, обращайтесь в Vitamix Corporation, в авторизованный центр технической поддержки или к местному дистрибьютору Vitamix.

- Если Оборудование было приобретено и используется в США или Канаде, обратитесь в отдел обслуживания коммерческих клиентов Vitamix по телефону: 800-437-4654.

- Если Оборудование было приобретено за пределами США, обращайтесь к уполномоченному дистрибьютору Vita-Mix или в международное подразделение Vita-Mix по телефону +1-440-782-2450 или адресу эл. почты international@vitamix.com, чтобы получить информацию о ближайшем дистрибьюторе.

Вас попросят предоставить доказательство приобретения Оборудования. Если специалисты по удаленной технической поддержке не смогут устранить проблему удаленно, Оборудование нужно будет подвергнуть техническому обслуживанию. Специалисты помогут вам найти ближайший авторизованный центр технической поддержки или организовать отpravку Оборудования в компанию Vitamix.

Отправка Оборудования на техническое обслуживание в компанию Vitamix

- A. Получите номер разрешения на возврат перед отправкой. Не отправляйте и не возвращайте Оборудование без разрешения Vitamix. Корпорация Vitamix ни при каких обстоятельствах не несет ответственности за расходы на любой несанкционированный ремонт. На наружной стороне упаковки любого возвращаемого Оборудования должен быть четко обозначен номер разрешения на возврат. Любое Оборудование, отправленное в Vitamix без предварительного разрешения, будет возвращено по адресу отправителя «как есть» без предоставления ремонта.
- B. Возвращаемое устройство должно быть надлежащим образом упаковано. Любое Оборудование, отправляемое в Vitamix, должно находиться в первоначальной или достаточной упаковке.

1 Переключатель On/Off (вкл/выкл). Передвиньте в верхнее положение, чтобы включить (I). Передвиньте в нижнее положение, чтобы выключить (O).

2 Панель управления. Подробные сведения см. в разделе «Панель управления».

! ВНИМАНИЕ! Крышки и трамбовки для контейнеров разных форм, типов и размеров не являются взаимозаменяемыми.

3 Контейнер с двухкомпонентной крышкой емкостью 2 л.

- Во время работы устройства всегда необходимо использовать крышку и пробку для крышки.
- Ни в коем случае не включайте блендер, если крышка надежно не зафиксирована на месте.
- На контейнере ясно обозначены меры объема продуктов в унциях, миллилитрах и стаканах.
- Вставьте пробку в крышку. Зафиксируйте пробку, повернув ее по часовой стрелке.
- Чтобы воспользоваться трамбовкой или добавить в контейнер ингредиенты, извлеките пробку из крышки.

4 Трамбовка. Трамбовка способствует вращению, предотвращая образование пузырьков воздуха.

5 Двухкомпонентная крышка (крышка и пробка для крышки).

Фиксирование крышки на месте. Крышка должна быть надежно зафиксирована на месте во время процесса обработки, особенно горячих жидкостей, поскольку они могут нанести ожог. **Ни в коем случае не включайте блендер, если крышка надежно не зафиксирована на месте.** На крышке имеется сплошной ободок, который крепится внутрь фиксаторов контейнера. Протолкните одну сторону ободка под один фиксатор и надавите сверху с противоположной стороны фиксатора, чтобы установить крышку на место.

Извлечение крышки. Возьмитесь обеими руками вокруг крышки, надавливая большими пальцами немного выше фиксаторов контейнера. Вдавите и снимите крышку.

Извлечение пробки для крышки. Поверните пробку для крышки против часовой стрелки — от положения «Закрыто» в положение «Открыто» и извлеките из крышки.

6 Кабель питания. Кабель питания для блендера поставляется с трехконтактной вилкой (для заземления), которая подходит к стандартной трехконтактной розетке. Этот кабель будет отличаться для стран за пределами США. Адаптеры подходят для двухконтактных розеток. Не отрезайте и не удаляйте третий (заземляющий) контакт из вилки или кабеля питания. Если вы не уверены в том, подключено ли заземление настенной розетки к электропроводке здания, проконсультируйтесь у электрика. Если настенная розетка двумя контактами правильно заземлена, заземлите устройство, прикрепив фиксатор на адаптере к настенной розетке винтом в центре.

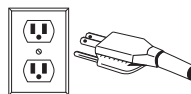
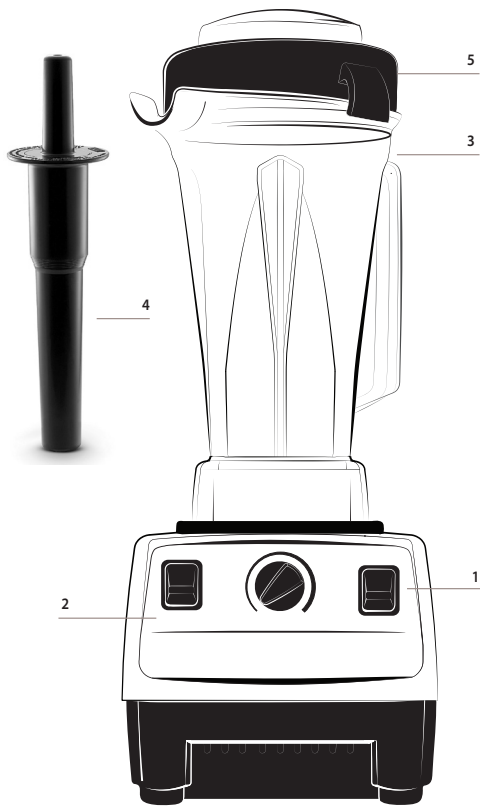


РИС. А

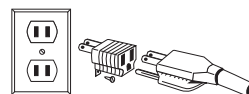


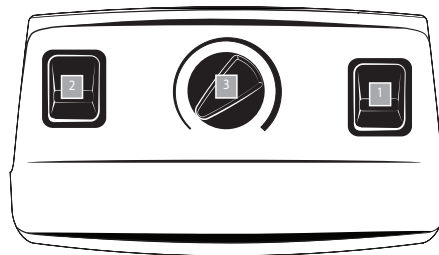
РИС. Б

ПАНЕЛЬ УПРАВЛЕНИЯ

1. Переключатель On/Off (вкл/выкл). Передвиньте в верхнее положение, чтобы включить (I). Передвиньте в нижнее положение, чтобы выключить (O).

2. Переключатель скорости: высокая/регулируемая. Высокая скорость (Δ) — самая высокая доступная скорость. Переключите на регулируемую (◁), чтобы активировать возможность регулировки скорости. **Обязательно убедитесь в том, что переключатель высокой/регулируемой скорости установлен в положение регулируемой скорости (◁), прежде чем перевести выключатель питания в положение вкл.(I).** Не запускайте устройство на высокой скорости (Δ).

3. Переключатель скорости. Имеет много положений для настройки скорости. Активируется только в том случае, когда переключатель высокой/регулируемой скорости установлен на регулируемую (◁).



⚠ ВНИМАНИЕ!



Вращающиеся ножи могут нанести повреждения.

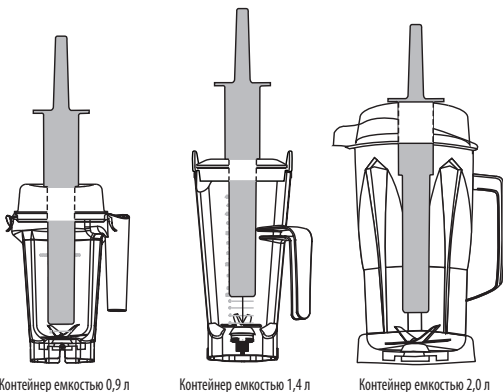
Крышки и трамбовки для контейнеров разных стилей, типов и размеров не являются взаимозаменяемыми. Используйте трамбовку, которая входит в комплект к вашему устройству.

Какие трамбовки можно использовать с контейнером

Трамбовка предназначена для безопасного и эффективного использования при работе с промышленными контейнерами. **Если в комплект вашего контейнера входит трамбовка, то она подходит для использования с контейнером.**

Чтобы убедиться, что вы используете правильную трамбовку, поместите крышку в пустой контейнер, извлеките пробку для крышки и вставьте трамбовку. Трамбовка должна легко входить в отверстие крышки и не касаться ножей, независимо от того, как вы двигаете трамбовку внутри контейнера. **ЕСЛИ ТРАМБОВКА СОПРИКАСАЕТСЯ С НОЖАМИ ПОД ЛЮБЫМ УГЛОМ, НЕ ИСПОЛЬЗУЙТЕ ЭТУ ТРАМБОВКУ С КОНТЕЙНЕРОМ.**

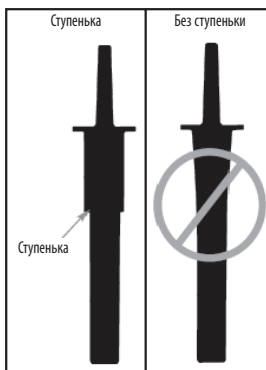
Если у вас нет подходящей трамбовки для вашего контейнера, обратитесь в отдел обслуживания коммерческих клиентов Vitamix в США или Канаде по телефону 800-886-5235 или эл. почте commercial@vitamix.com. На территории за пределами США и Канады — по телефону +1-440-782-2450 или эл. почте international@vitamix.com. При необходимости технической консультации обращайтесь по адресу эл. почты: commercialts@vitamix.com.



Контейнер емкостью 0,9 л

Контейнер емкостью 1,4 л

Контейнер емкостью 2,0 л



Степенька

Без степеньки

Степенька

⚠ ПРЕДУПРЕЖДЕНИЕ



Вращающиеся ножи могут нанести серьезную травму.

НЕ помещайте руки, лопатки и т. п. в контейнер, когда устройство работает или когда контейнер все еще находится на основании.

Крышки и трамбовки для контейнеров разных стилей, типов и размеров не являются взаимозаменяемыми. Используйте трамбовку, которая входит в комплект к вашему устройству.

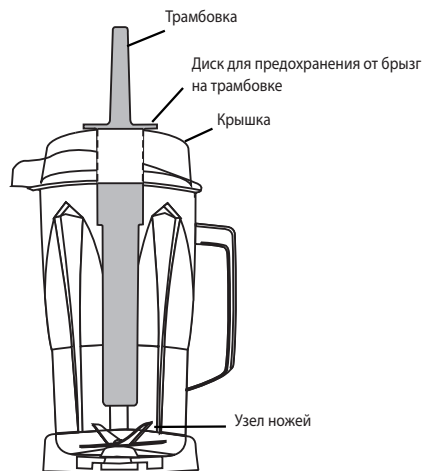
Не пытайтесь протолкнуть трамбовку глубже в контейнер емкостью 0,9 л.

Не используйте трамбовку без ступеньки в промышленных контейнерах Vitamix.



ВАЖНО!

- Диск для предохранения от брызг (расположенный ближе к верхней части трамбовки) и крышка предохраняют трамбовку от ударов о ножи, если крышка правильно закреплена в закрытом положении.
- Если при смешивании используется трамбовка, контейнер следует наполнять не больше чем на две трети.
- Во избежание перегрева при смешивании НЕ используйте трамбовку дольше 30 секунд подряд.
- Если продукты не вращаются, возможно, в устройстве скопился воздух. Осторожно извлеките пробку для крышки. При этом крышка должна оставаться плотно закрытой. Выпустите воздух с помощью трамбовки, вставив ее в отверстие для пробки.
- Если опустить и удерживать так трамбовку, то это не поможет перемешиванию ингредиентов. При необходимости перемещайте трамбовку ближе к стенкам и углам контейнера. НЕ пытайтесь протолкнуть трамбовку глубже в контейнер.



⚠ ПРЕДУПРЕЖДЕНИЕ



Пробку можно вынимать из крышки только при добавлении ингредиентов и использовании трамбовки.

Всегда запускайте блендер, установив переключатель скорости на 1, а переключатель высокой и низкой скорости — в положение «низкая». Во избежание получения ожогов при обработке горячих жидкостей не запускайте на скорости выше 1 или когда переключатель высокой и низкой скорости находится в установленном на высокую скорость.

- При возможности производите смешивание на высокой скорости (Δ) как можно дольше, чтобы придать однородность сокам, супам, шейкам, замороженным смесям, пюре, ореховому маслу, а также помолоть злаки. Обычная продолжительность обработки составляет менее минуты (в большинстве случаев — менее 30 секунд).
- **СОВЕТ.** Продолжительное смешивание на очень низкой скорости приводит к перегреву устройства, поэтому срабатывает автоматическая защита от перегрузки и блендер выключается. При смешивании на высокой скорости (Δ) работает вентилятор мотора, что помогает избежать перегрева.
- Если на высокой скорости (Δ) продукты не вращаются, осторожно извлеките пробку. При этом крышка должна оставаться плотно закрытой. Освободите смесь с помощью трамбовки, вставив ее в отверстие для пробки. Если продукты по-прежнему не вращаются, уменьшите скорость устройства. На низкой скорости продукты могут начать вращаться (в отличие от высокой скорости). При необходимости добавляйте жидкость. НЕ переполняйте контейнер. Как только продукты начнут вращаться, снова переключите на высокую (Δ) скорость и продолжите обработку.
- При приготовлении ореховой пасты или блюд на основе масел обрабатывайте ингредиенты не более минуты с момента начала вращения смеси в контейнере. При более длительной обработке контейнер может быть поврежден, а мотор может перегреться.
- **Автоматическая защита от перегрузки.** Мотор блендера Vitamix оснащен устройством защиты от перегрева. Если мотор выключился, отключите питание на 45 минут для перезапуска.

1. Убедитесь, что переключатель скорости установлен на скорость 1.
2. Положите в контейнер продукты перед тем, как поместить его на моторный блок. Сначала закладывайте в контейнер жидкости и мягкие продукты, а в последнюю очередь — твердые ингредиенты и лед.
3. Надежно закрепите 2-компонентную крышку. При смешивании 2-компонентная крышка должна быть полностью собрана (если в отверстие для пробки не вставлена трамбовка). Особенно важно надежно закреплять крышку при смешивании горячих ингредиентов.
4. Выключив мотор, установите контейнер для смешивания влажных продуктов на моторный блок, выровняв его по центрирующей подкладке. Ни в коем случае не пытайтесь установить контейнер на основание работающего мотора или использовать моторный блок без надлежащим образом установленного контейнера.
5. Переведите переключатель высокой и регулируемой скорости в положение «Регулируемая» (∇). При включении блендера всегда должна быть выбрана регулируемая скорость 1. Включите блендер. Для этого переведите выключатель питания «Вкл/выкл» в положение «Вкл» (I). Контейнер сместится и выровняется самостоятельно.
6. **Соблюдайте осторожность при обращении с горячими ингредиентами и приготовлении горячих супов и соусов.**
7. Благодаря скорости, которую развивает устройство, время обработки намного короче, чем в стандартных бытовых приборах.
8. После выключения устройства дождитесь полной остановки ножей, прежде чем снимать крышку или контейнер с основания мотора.

⚠ ПРЕДУПРЕЖДЕНИЕ



Опасность поражения электрическим током.

Перед очисткой устройства отключите электропитание.

Несоблюдение инструкций может привести к смерти или поражению электрическим током.

Обычная чистка.

1. Наполните контейнер до половины теплой водой и добавьте в него пару капель жидкого моющего средства для посуды. Защелкните или плотно накройте контейнер 2-компонентной крышкой.
2. Выберите скорость 1. Включите устройство и медленно увеличивайте скорость до 10, затем переключите на высокую скорость. Пусть устройство поработает на высокой скорости от 30 до 60 секунд.
3. Выключите устройство. Прополощите и высушите контейнер.

Дезинфекция.

1. Выполните инструкции по обычной чистке, приведенные выше.
2. Заполните контейнер водой до половины и добавьте 1,5 чайной ложки жидкого отбеливателя. Защелкните или плотно накройте контейнер 2-компонентной крышкой.
3. Выберите скорость 1. Включите устройство и медленно увеличивайте скорость до 10, затем переключите на высокую. Пусть устройство поработает на высокой скорости от 30 до 60 секунд.
4. Выключите устройство и оставьте смесь в контейнере еще примерно на 1,5 минуты.
5. Вылейте раствор отбеливателя. Дайте контейнеру высохнуть. Не опасайтесь после дезинфекции.

Крышка, пробка и трамбовка.

Извлеките пробку из крышки. Промойте эти детали в теплой мыльной воде. Ополосните детали под проточной водой и просушите их. Перед использованием соберите устройство.

Моторный блок.

1. Отсоедините кабель питания.
2. Протрите внешнюю поверхность мягкой тканью или губкой, смоченной в слабом растворе жидкого моющего средства и теплой воды. Не погружайте моторный блок в воду.
3. Центрирующую прокладку можно снять для более тщательной очистки.
4. Тщательно очищайте переключатели, чтобы их ход был легким. В процессе использования переключатели могут стать липкими. Смочите ватную палочку бытовым обезжиривателем или очистителем и очистите канавки вокруг элементов управления. Незамедлительно высушите все поверхности.
5. Протрите поверхности насухо мягкой тканью.

ТЕХНИЧЕСКИЕ ХАРАКТЕРИСТИКИ

Напряжение: 120 В перем. тока	Напряжение: 100 В перем. тока (Япония)
Сила тока: 11,5 л. с. (2+ макс. мощность*)	Мощность: 900 л. с. (2+ макс. мощность*)
12,5 л. с. (3+ макс. мощность*)	Мощность: 975 л. с. (3+ макс. мощность*)
Частота: 50–60 Гц	Частота: 50–60 Гц

Напряжение: 220–240 перем. тока	Напряжение: 120 В перем. тока ЕМС (Тайвань)
Мощность: 750–850 л. с. (2+ макс. мощность*)	Сила тока: 11,5 л. с. (2+ макс. мощность*)
Мощность: 1100–1200 л. с. (3+ макс. мощность*)	Частота: 60 Гц
Частота: 50–60 Гц	

* Зависит от напряжения.












VITA -PREP® Y VITA-PREP® 3

VM0101D y VM0103D

SECCIONES

Inglés.....	1
Alemán.....	7
Sueco.....	13
Francés.....	19
Ruso.....	25
Español.....	31
Italiano.....	37
Portugués.....	43
Árabe.....	49

SÍMBOLOS

	Advertencia		Precaución
	NO toque las piezas móviles en ningún caso. Mantenga las manos y los utensilios fuera del vaso		Utilice la batidora la siempre con la tapa y el cubilete colocados
	Riesgo de descarga eléctrica		Lea detenidamente el manual del usuario
	Temperatura alta al mezclar líquidos calientes		No sumerja la batidora en líquidos
	NO introduzca ningún elemento en el vaso mientras la batidora esté en funcionamiento		Encendido/apagado
	Desconecte la batidora cuando no la utilice, antes de limpiarla, antes de cambiar algún accesorio y antes de tocar cualquier pieza móvil cuando la batidora esté en funcionamiento		

INFORMACIÓN SOBRE EL RECICLAJE

Este producto lo suministra un fabricante respetuoso con el medio ambiente.

Este producto puede contener sustancias que podrían resultar perjudiciales para el medio ambiente si se eliminan en lugares (vertederos) no apropiados de conformidad con la legislación vigente.

Este producto incluye el símbolo del contenedor de basura tachado con el propósito de fomentar el reciclaje siempre que sea posible.

Le animamos a ser respetuoso con el medio ambiente y a reciclar este producto en las instalaciones de reciclaje pertinentes al final de su vida útil.



Vita-Mix Corporation
División comercial

8615 Usher Road, Cleveland, Ohio 44138 EE. UU.

Tel. (EE. UU. y Canadá): 1.800.437.4654

Tel. (internacional): 1.440.782.2450

Servicio técnico: 1.800.886.5235 Correo electrónico: commercial@vitamix.com

commercialts@vitamix.com

Para consultar la gama completa de productos de Vitamix, visite vitamix.com.

⚠ ADVERTENCIA



Para evitar lesiones.

Lea detenidamente el manual de instrucciones antes de utilizar esta máquina. Debe seguir las precauciones de seguridad básicas, incluidas las siguientes.



⚠ ADVERTENCIA



Riesgo de descarga eléctrica.

Utilice SOLO una toma de corriente con conexión a tierra.

NO quite la conexión a tierra.

NO utilice adaptadores.

NO utilice cables alargadores.

El incumplimiento de las instrucciones puede provocar descargas eléctricas o incluso la muerte.

LEA TODAS LAS INSTRUCCIONES, INDICACIONES DE SEGURIDAD Y ADVERTENCIAS ANTES DE UTILIZAR LA BATIDORA.

1. Lea todas las instrucciones.
2. Se requiere una precaución extrema cuando se utilice cualquier aparato en presencia de niños o de personas con alguna discapacidad.
3. La batidora no está concebida para ser utilizada por personas con capacidades físicas, sensoriales o mentales reducidas o sin experiencia ni conocimientos, salvo que reciban instrucciones sobre el uso del aparato o estén bajo la supervisión de una persona responsable de su seguridad.
4. Para protegerse frente al riesgo de descarga eléctrica, no sumerja la base de la batidora en agua ni ningún otro líquido.
5. Desenchufe el aparato de la corriente cuando no lo esté utilizando, antes de colocar o quitar las piezas y antes de limpiarlo.
6. Evite el contacto con las piezas móviles.
7. NO utilice ningún aparato con un cable o enchufe deteriorado, ni después de un error de funcionamiento del aparato o si se cae o estropea de cualquier modo. Póngase inmediatamente en contacto con su representante o distribuidor para su revisión, reparación, sustitución o ajuste eléctrico o mecánico.
8. La modificación o alteración de cualquier pieza o componente de la batidora, incluido el uso de cualquier pieza, componente o accesorio que no sea una pieza original autorizada de Vitamix, puede provocar incendios, descargas eléctricas o lesiones.
9. El uso de accesorios que Vitamix no haya autorizado explícitamente ni vendido para esta batidora, incluidas jarras de vidrio, podría causar incendios, descargas eléctricas o lesiones.
10. Si su máquina está equipada con función de velocidad variable, empiece siempre por el ajuste de velocidad más bajo.
11. NO utilice el aparato para fines distintos al uso previsto.
12. La capacidad máxima del vaso equivale a los litros (onzas) marcados en el vaso, es decir, 2 L /64 oz o 1,4 L /48 oz. Esta capacidad es considerablemente inferior en el caso de mezclas espesas.
13. NO utilice la batidora en el exterior.
14. No permita que el cable cuelgue del borde de la mesa o superficie de trabajo ni que entre en contacto con superficies calientes, incluida la hornilla.
15. Para reducir el riesgo de sufrir lesiones graves o dañar la batidora, no introduzca las manos ni ningún utensilio en el vaso mientras la batidora esté en funcionamiento. La prensa se puede utilizar en el vaso durante el batido. Se permite el uso de una pala o espátula de goma, pero solo cuando la batidora no esté en funcionamiento. No deje en el vaso la prensa, la pala o cualquier otro utensilio cuando la máquina esté en funcionamiento o el motor esté detenido.
16. Las cuchillas están afiladas. Tenga cuidado al limpiar el vaso para evitar sufrir lesiones.
17. Para reducir el riesgo de lesiones, nunca coloque el juego de cuchillas en la unidad motora, a menos que esté acoplado al vaso.
18. No deje objetos extraños, como cucharas, tenedores, cuchillos o el cubilete, en ninguno de los vasos, ya que se podrían dañar las cuchillas y demás componentes al poner en marcha la máquina y ello podría provocar lesiones.
19. Nunca trate de hacer funcionar la batidora si tiene las cuchillas dañadas.
20. La tapa y el cubilete deben estar encajados en su lugar durante el mezclado. El cubilete solo se debe retirar para añadir ingredientes y cuando se utilice la espátula.
21. Para la preparación de mantecas de frutos secos o salsas a base de aceite, el proceso de batido no debe durar más de un minuto a partir del momento en que la mezcla empieza a circular por el interior del vaso. Un procesamiento más prolongado puede provocar un sobrecalentamiento peligroso.
22. **ADVERTENCIA:** Cuando procese líquidos calientes, siga las indicaciones que figuran a continuación.
 - La tapa de doble cierre debe estar encajada en su sitio. De esta forma, el vapor sale de forma natural y se evita que la tapa se suelte mientras la máquina está encendida.
 - No comience el procesamiento de líquidos calientes a una velocidad alta. Comience siempre con una velocidad baja y cambie a una velocidad alta mientras la máquina está funcionando.
 - Tenga cuidado al batir líquidos calientes. Por debajo del cubilete, pueden salir líquidos o vapor que pueden causar quemaduras.
 - No procese ingredientes calientes con la tapa sin cierres de Vitamix.

GUARDE ESTAS INSTRUCCIONES

NOTAS IMPORTANTES

Es posible que las instrucciones de este manual de uso y mantenimiento no contemplen todas las condiciones o situaciones posibles. Siempre que se utilice cualquier aparato y se realicen tareas de mantenimiento en él, se debe aplicar el sentido común y tomar precauciones.

INSTRUCCIONES IMPORTANTES DE SEGURIDAD

No deje la batidora Vitamix desatendida mientras esté en uso. Cualquier reparación, mantenimiento o sustitución de alguna pieza debe realizarla Vitamix o un representante autorizado del servicio técnico.

AVISO: EL INCUMPLIMIENTO DE CUALQUIER INSTRUCCIÓN IMPORTANTE E INDICACIÓN DE SEGURIDAD PRIMORDIAL QUE GARANTICE UN USO SEGURO DE LA MÁQUINA CONSTITUYE UN USO INDEBIDO DE LA BATIDORA VITAMIX QUE PODRÍA ANULAR LA GARANTÍA Y PROVOCAR LESIONES GRAVES.

Mantenimiento de la batidora Vitamix®

Para maximizar la vida útil y mantener el producto de Vitamix® en un estado óptimo para el funcionamiento, es importante seguir los siguientes consejos simples de mantenimiento:

1. Revise periódicamente la llave de vaso para detectar desgaste, fisuras o roturas visibles en la llave. Si detecta daños, sustituya la llave de vaso por la llave de vaso adicional suministrada con la batidora. Si desea adquirir otra rueda dentada del motor de sustitución, póngase en contacto con Vita-Mix® Corporation (en adelante, "Vitamix") en el 1-800-437-4654. Para clientes fuera de EE. UU., póngase en contacto con su distribuidor autorizado de Vitamix o con la división internacional de Vitamix a través del teléfono +1.440.782.2450 o los correos electrónicos commercial@vitamix.com (EE. UU. y Canadá) e international@vitamix.com (fuera de EE. UU. y Canadá) para recibir asistencia.
2. Gire manualmente el juego de soporte para la cuchilla para asegurarse de que gira sin problemas o de que no gira con demasiada facilidad. Si la cuchilla vacila o gira con demasiada libertad, póngase en contacto con Vitamix para obtener información acerca de la garantía o el distribuidor más cercano.
3. Nunca utilice la máquina sin haber colocado bien el panel de centrado en la base ni extraiga el vaso de la base antes de que las cuchillas se hayan detenido.

Garantía limitada (excepto que esté cubierto de cualquier otra forma por el Contrato)

Vita-Mix® Corporation (en adelante, "Vitamix") garantiza al usuario final original ("Comprador") que las batidoras comerciales de Vitamix (compuestas por una unidad motora, un vaso y una tapa, en adelante y de forma colectiva, "el Equipo") no presentarán defectos en el material ni el acabado durante los períodos de garantía aplicables al Equipo tal y como se describe en el presente documento y de conformidad con las condiciones que se establecen a continuación. Se precisa el comprobante de compra.

A continuación se indican los recursos exclusivos del comprador y se establecen las obligaciones de garantía exclusivas de Vitamix.

Ningún empleado de Vitamix ni cualquier otra persona están autorizados a ofrecer garantías adicionales ni modificaciones de las garantías siguientes.

Qué cubre la Garantía**A. Garantía de la unidad motora (que incluye el tablero de control y el panel táctil)**

Vitamix garantiza al usuario final original que

- Si la unidad motora falla debido a defectos en el material o el acabado después de treinta (30) días a partir de la fecha de adquisición, Vitamix sustituirá la unidad motora por una unidad motora nueva.
- Si la unidad motora falla debido a defectos en el material o el acabado después de treinta (30) días a partir de la fecha de adquisición pero en el período de un (1) año a partir de la fecha de adquisición, Vitamix asumirá los costes de todas las piezas y los trabajos necesarios para reparar la unidad motora.
- Si la unidad motora falla debido a defectos en el material o el acabado después del primer año pero en un período de tres (3) años a partir de la fecha de adquisición, Vitamix asumirá los costes de todas las piezas necesarias para reparar la unidad motora.

B. Garantía del vaso, la tapa, el cubilete, el panel de centrado, el juego de cuchillas, la rueda dentada del motor y la carcasa de aislamiento acústico (si se incluye).

Vitamix garantiza al usuario final original que si la carcasa de aislamiento acústico, el vaso, la tapa, el juego de cuchillas o la llave de vaso fallan debido a defectos en el material o el acabado dentro de un (1) año a partir de la fecha de adquisición, Vitamix asumirá los costes de todas las piezas y los trabajos necesarios para reparar el componente.

De acuerdo con las presentes garantías, Vitamix asume la responsabilidad exclusiva de reparar o sustituir la pieza o las piezas en garantía, exclusivamente según determine Vitamix.

EN NINGÚN CASO, YA SEA EN BASE AL CONTRATO, VITAMIX SE RESPONSABILIZARÁ DE DAÑOS ESPECIALES, INDIRECTOS, FORTUITOS O CONSECUENTES, INCLUIDOS, ENTRE OTROS, LA PÉRDIDA DE BENEFICIOS O INGRESOS, YA SEA DE CONFORMIDAD CON CONTRATOS, INDEMNIZACIONES, GARANTÍAS, DELITOS (INCLUIDA LA NEGLIGENCIA) O RESPONSABILIDAD ABSOLUTA, ENTRE OTROS. LA GARANTÍA LIMITADA ANTERIOR ES SU ÚNICO RECURSO Y, POR LA PRESENTE, USTED Y VITAMIX NIEGAN EXPRESAMENTE CUALQUIER OTRA GARANTÍA O CONDICIÓN, EXPLÍCITA O IMPLÍCITA, LEGAL O DE OTRO TIPO, INCLUIDA CUALQUIER GARANTÍA DE COMERCIALIZACIÓN IMPLÍCITA Y CUALQUIER GARANTÍA DE ADECUACIÓN IMPLÍCITA PARA UN FIN PARTICULAR, Y, SIN LIMITACIÓN DE LA GENERALIDAD DE LO ANTEDICHO, POR LA PRESENTE USTED Y VITAMIX EXCLUYEN EXPRESAMENTE, EN LA MEDIDA EN QUE LA LEY LO PERMITA, LA APLICACIÓN DE CUALQUIER LEGISLACIÓN EN MATERIA DE COMERCIALIZACIÓN DE MERCANCÍAS Y LA CONVENCIÓN DE LAS NACIONES UNIDAS EN MATERIA DE CONTRATOS PARA LA COMERCIALIZACIÓN INTERNACIONAL DE MERCANCÍAS QUE SEAN APLICABLES.

Algunas jurisdicciones no admiten una limitación de las garantías implícitas o de los daños especiales, fortuitos o consecuentes.

Qué no cubre la Garantía (Exclusiones de Garantía)

Del mismo modo, tampoco incluyen las reparaciones necesarias como consecuencia de lo siguiente:

- A. el desgaste normal;

- B. el abuso, el uso indebido o el uso negligente;
- C. la alteración del Equipo, incluidos, pero sin limitarse a éstos, la unidad motora, el vaso, la tapa o la carcasa de aislamiento acústico;
- D. la exposición a condiciones extremas;
- E. la instalación inadecuada del Equipo, incluidos, pero sin limitarse a éstos, acabados deficientes que no cumplen las especificaciones suministradas o la ventilación inadecuada de los modelos de instalación encastrada en la encimera de la unidad batidora.

Cuándo se aplican las Garantías (Condiciones de Cobertura)

Las garantías contenidas en el presente documento solamente son aplicables al usuario final original y no son transferibles. Para reclamar una garantía, se precisa el comprobante de compra.

Cualquier garantía ofrecida por Vitamix solamente es válida de conformidad con a) el manual del propietario al que también se puede acceder en www.vitamix.com; b) la garantía explícita; y c) todas y cada una de las instrucciones de mantenimiento, independientemente de cuando se suministraron.

Causas para anular la Garantía

Todas las garantías del producto se anulan si:

- la batidora se coloca en una carcasa de aislamiento acústico que no ha sido fabricada por Vitamix;
- cualquier componente de una pieza del Equipo o parte cubiertas ha sido modificado, alterado, "recondicionado" o reparado por personas ajenas a Vitamix, un centro de servicio autorizado de Vitamix o un distribuidor autorizado de Vitamix;
- cualquier componente de Vitamix cubierto se utiliza con un componente que no ha sido expresamente autorizado por escrito por Vitamix (el uso de un vaso de Vitamix con una unidad motora que no es de Vitamix o el uso de una unidad motora de Vitamix con un vaso que no es de Vitamix); o
- cualquier parte de la batidora se ha instalado de forma inadecuada, incluidos, pero sin limitarse a éstos, acabados deficientes que no cumplen las especificaciones suministradas o la ventilación inadecuada de los modelos de instalación encastrada en la encimera de la unidad batidora.

Cómo obtener la cobertura y reparación de la Garantía

Con quién debe contratarse para el servicio de garantía y la reparación. En el caso de que la batidora Vitamix deba someterse a tareas de mantenimiento o reparación de conformidad con las condiciones de la presente garantía, póngase en contacto con Vita-Mix Corporation, un centro de servicio autorizado o un distribuidor local para obtener asistencia relacionada con la garantía.

- Para equipos que se hayan adquirido y se encuentren en EE. UU. y Canadá, póngase en contacto con el servicio de atención al cliente de Vitamix a través del número: 800-437-4654.
- En el caso de máquinas que se hayan adquirido fuera de los EE. UU. continentales, póngase en contacto con su distribuidor autorizado de Vita-Mix o con la división internacional de Vita-Mix a través del teléfono +1.440.782.2450 o el correo electrónico international@vitamix.com para obtener información sobre el distribuidor más cercano.

Se le solicitará que presente el comprobante de compra del equipo. Si el equipo de asistencia técnica a distancia no puede resolver la avería en el equipo de forma remota, el equipo se deberá enviar para su mantenimiento. El personal le ayudará a localizar un centro de servicio autorizado o a organizar el envío del equipo a Vitamix.

Envío del equipo a Vitamix para su mantenimiento

- A. Obtención de un número de autorización de devolución antes del envío. No devuelva ni envíe el equipo sin la aprobación de Vitamix. Vitamix no asumirá, bajo ninguna circunstancia, los costes de reparaciones no autorizadas. Todas las devoluciones de equipos deben tener un número de autorización de devolución ("RA") marcado con claridad en el exterior de la caja. Cualquier equipo que se envíe a Vitamix sin previa autorización o aprobación se devolverá a la dirección del remitente "tal cual", sin reparar.
- B. Embalaje adecuado del producto devuelto. Cualquier producto enviado a Vitamix se debe enviar en el embalaje original o en un embalaje adecuado.

1 Interruptor de encendido/apagado Levántelo para encenderla (I). Bájelo para apagarla (O).

2 Panel de control: Para obtener más información, consulte la sección Panel de control.

! PRECAUCIÓN: las tapas y las espátulas no son intercambiables entre vasos de estilo, tipo y tamaño diferentes.

3 Vaso de 64 oz de capacidad con tapa de dos piezas:

- Utilice siempre la tapa y el cubilete cuando la máquina esté en funcionamiento.
- Nunca utilice la batidora sin que la tapa esté firmemente encajada.
- El vaso contiene indicaciones claras en onzas, tazas y milímetros.
- Introduzca el cubilete a través de la tapa y asegúrelo girándolo hacia la derecha.
- Para utilizar la prensa o añadir ingredientes, extraiga el cubilete.

4 Espátula: Gracias al uso de la prensa, se mantiene la circulación y se evita la formación de burbujas de aire.

5 Tapa de dos piezas (tapa y cubilete):

Para encajar la tapa: Es preciso asegurar siempre la tapa durante el procesamiento, especialmente de líquidos calientes, para evitar quemaduras. **Nunca utilice la batidora sin que la tapa esté firmemente encajada.** El borde de la tapa encaja en las pestañas del vaso. Coloque un lateral del borde bajo una de las pestañas y presione hacia abajo la pestaña contraria para encajar la tapa en su sitio.

Para extraer la tapa: Coloque las manos alrededor de la tapa presionando con los pulgares sobre una de las pestañas del vaso. Presione y levántela.

Para extraer el cubilete: Gire el cubilete hacia la izquierda desde la posición de bloqueo hasta la posición de desbloqueo y levántelo.

6 Cable de alimentación: El cable de alimentación de la batidora viene equipado con un enchufe de tres clavijas (conexión a tierra) que se puede acoplar a tomas de corriente de tres clavijas. El cable puede variar según el país si el producto se ha adquirido fuera de los Estados Unidos.

Existen adaptadores para tomas de dos clavijas. No corte ni extraiga la tercera clavija (conexión a tierra) del enchufe ni del cable de alimentación. Póngase en contacto con un electricista si no está seguro de que la toma de corriente esté conectada a tierra a través del cableado del edificio. Si utiliza una toma de corriente de dos clavijas con la conexión a tierra adecuada, conecte a tierra la máquina fijando la pestaña del adaptador a la carcasa de la toma de corriente con el tornillo que se encuentra en el centro de la carcasa.

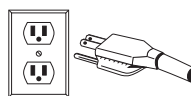
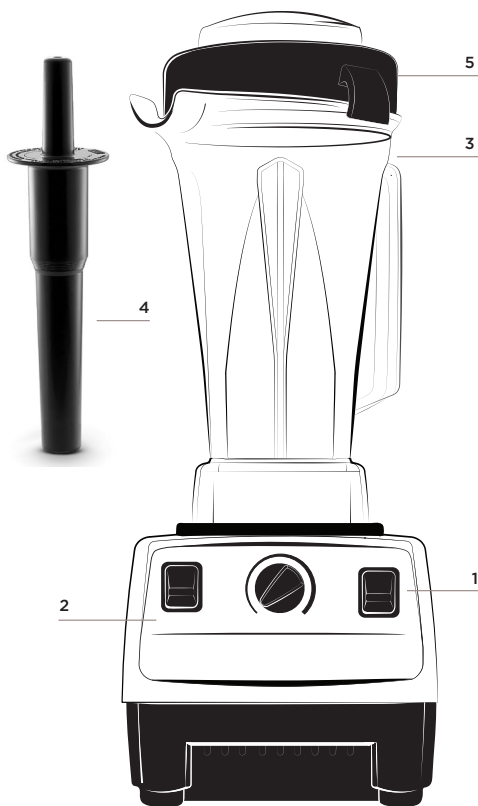


ILUSTRACIÓN A

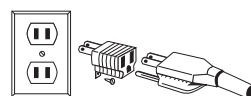


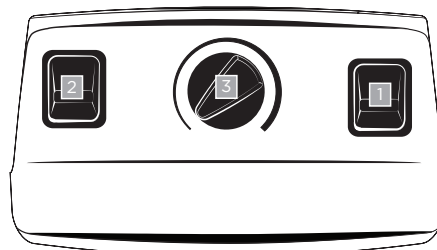
ILUSTRACIÓN B

PANEL DE CONTROL

1. Interruptor de encendido/apagado Levántelo para encenderla (I). Bájelo para apagarla (O).

2. Interruptor de velocidad alta/variable Alta (Δ) es la velocidad más rápida disponible. Cambie a Variable (∇) para activar las velocidades variables. **Asegúrese siempre de que este interruptor se encuentra en Variable (∇) antes de colocar el interruptor de encendido/apagado en la posición de encendido (I).** No encienda la batidora en velocidad alta (Δ).

3. Selector de velocidad variable: Selecciona entre los diferentes ajustes de velocidad. Solo está activo cuando el interruptor de velocidad se encuentra en la posición Variable (∇).



⚠ PRECAUCIÓN



El giro de las cuchillas puede provocar daños.

Las tapas y las espátulas no pueden intercambiarse entre vasos de estilo, tipo y tamaño diferentes.

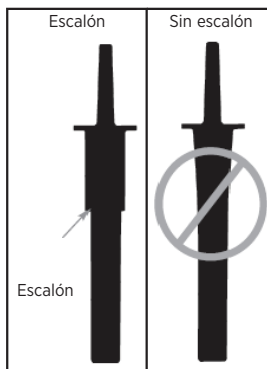
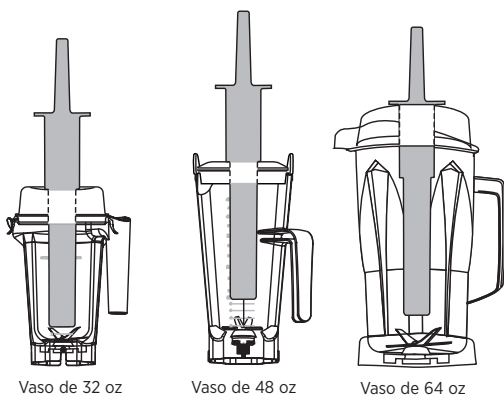
Utilice la espátula suministrada con la máquina.

Cómo determinar qué espátula se puede utilizar con el vaso

La prensa se ha diseñado para ser utilizada de forma segura y eficaz con los vasos comerciales. **Si el vaso se suministra con una espátula, significa que esa es la espátula adecuada para ese vaso.**

Para asegurarse de que utiliza la prensa correcta, coloque la tapa en un vaso vacío, extraiga el cubilete e introduzca la prensa. La prensa debería ajustarse fácilmente a la apertura de la tapa y no debería tocar las cuchillas con independencia de los movimientos que realice la prensa en el interior del vaso. **SI LA ESPÁTULA ENTRA EN CONTACTO CON LAS CUCHILLAS EN ALGÚN ÁNGULO, NO UTILICE LA ESPÁTULA CON ESE VASO.**

Si no dispone de la prensa adecuada para su vaso, póngase en contacto con el servicio de atención al cliente de Vitamix de EE. UU. y Canadá a través del número 800-886-5235 o del correo electrónico commercial@vitamix.com. Si se encuentra fuera de EE. UU. y Canadá, llame al +1.440.782.2450 o envíe un correo electrónico a la dirección international@vitamix.com. Si necesita asistencia técnica, envíe un correo electrónico a: commercialts@vitamix.com.



⚠ ADVERTENCIA



El giro de las cuchillas puede provocar lesiones graves.

NO introduzca las manos, espátulas, etc. en el vaso con la máquina en funcionamiento o mientras el vaso esté sobre la base.

Las tapas y las espátulas no pueden intercambiarse entre vasos de estilo, tipo y tamaño diferentes. Utilice la espátula suministrada con la máquina.

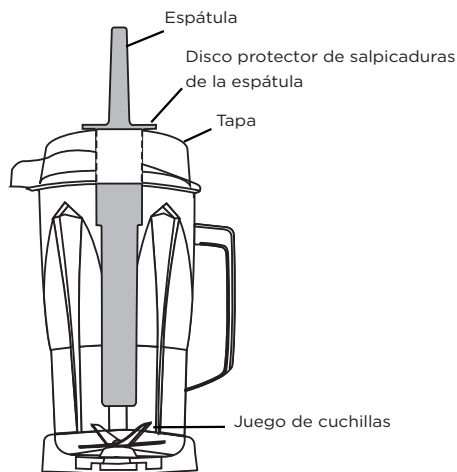
No fuerce la introducción de la prensa en el interior del vaso de Vitamix de 32 oz.

No utilice una espátula no escalonada en ningún vaso comercial de Vitamix.



¡IMPORTANTE!

- El disco protector de salpicaduras (junto a la parte superior de la espátula) y la tapa impiden que la espátula alcance las cuchillas si la tapa está debidamente asegurada en la posición de bloqueo.
- Si durante el batido se utiliza la espátula, el vaso no debería llenarse más de dos tercios de su capacidad.
- Para evitar el sobrecalentamiento durante el batido, **NO** utilice la espátula más de 30 segundos consecutivos.
- Si los ingredientes no circulan, es posible que la máquina haya encontrado una burbuja de aire. Extraiga el cubilete con cuidado mientras se asegura que la tapa permanece firme en su posición. Elimine la burbuja de aire mediante la introducción de la espátula a través de la abertura del cubilete.
- Es posible que la sujeción de la espátula en posición vertical hacia abajo no contribuya a la circulación de los ingredientes. Si es preciso, dirija la prensa hacia los laterales y las esquinas del vaso. **NO** fuerce la introducción de la espátula en el interior del vaso.



⚠ ADVERTENCIA



El cubilete solo se debe retirar para añadir ingredientes y cuando se utilice la espátula.



Ponga siempre en marcha la batidora con el selector de velocidad variable en el 1 y el interruptor en la posición inferior. Si bate líquidos calientes y para evitar posibles quemaduras, nunca empiece con velocidades superiores a 1 ni con el interruptor en la posición superior.

- Trabaja a velocidad alta (Δ) tanto tiempo como sea posible para preparar zumos, sopas, batidos, mezclas congeladas, purés y cremas de frutos secos, así como para moler granos, con ingredientes enteros. El tiempo de procesado será generalmente inferior a un minuto (la mayoría de las veces, inferior a 30 segundos).
- **CONSEJO:** Si se trabaja durante demasiado tiempo a velocidad baja, la máquina se sobrecalentará y la protección de sobrecarga automática apagará la máquina. Si se trabaja a velocidad alta (Δ), se utiliza el ventilador de refrigeración del motor para evitar el sobrecalentamiento.
- Al trabajar con velocidad alta (Δ), si los alimentos no circulan, retire el cubilete con cuidado mientras se asegura de que la tapa permanece firme en su posición. Mueva la mezcla introduciendo la prensa a través de la abertura del cubilete. Si los problemas de circulación persisten, baja la velocidad. A diferencia de las velocidades altas, con una velocidad inferior, se puede favorecer que los alimentos se muevan. Añada líquido si es necesario. NO lo llene en exceso. Cuando los alimentos se muevan sin problema, vuelva a seleccionar una velocidad alta (Δ) y continúe procesándolos.
- Para la preparación de mantecas de frutos secos o salsas a base de aceite, el proceso de batido no debe durar más de un minuto a partir del momento en que la mezcla empieza a circular por el interior del vaso. Un procesamiento más largo podría provocar daños en el vaso y el sobrecalentamiento del motor.
- **Protección de sobrecarga automática:** El motor Vitamix está diseñado para evitar el sobrecalentamiento. Si el motor se apaga, apague el interruptor de encendido durante 45 minutos para restablecer la máquina.

1. Compruebe que el selector de velocidad variable esté en posición 1.
2. Cargue el vaso antes de colocarlo en la base del motor. Introduzca primero los líquidos y los ingredientes blandos en el vaso; a continuación, los ingredientes sólidos y, finalmente, el hielo.
3. Encaje la tapa de dos piezas de modo que quede bien sujeta. Utilice siempre la tapa de dos piezas durante el batido (a no ser que se haya introducido la espátula por la apertura del cubilete). Cuando bata ingredientes calientes, asegúrese de que la tapa esté bien cerrada.
4. Con el motor apagado, coloque el vaso con cuchillas para ingredientes húmedos en la base del motor alineándolo en el panel de centrado. No intente colocar el vaso en la base del motor si esta está en marcha ni trate de poner en funcionamiento la base del motor sin haber acoplado correctamente el vaso.
5. Empiece con el interruptor de velocidad High/Variable (Alta/Variable) en la posición de variable (Δ). Encienda siempre la máquina con la velocidad variable 1. Active la máquina colocando el interruptor de encendido/apagado en la posición de encendido (I) y, a continuación, vaya incrementando la velocidad poco a poco hasta el nivel deseado. El vaso se moverá y colocará en una posición alineada.
6. **Tome las medidas adecuadas cuando maneje y procese ingredientes calientes y cuando elabore sopas y salsas calientes.**
7. Debido a la velocidad de la máquina, el tiempo de procesamiento es mucho más rápido que con los aparatos estándar.
8. Cuando apague la máquina, espere hasta que las cuchillas se detengan por completo antes de sacar la tapa o el vaso de la base del motor.

⚠ ADVERTENCIA



Riesgo de descarga eléctrica.

Desconecte el aparato de la fuente de alimentación antes de limpiarlo.



El incumplimiento de las instrucciones puede provocar descargas eléctricas o incluso la muerte.

Limpieza normal:

1. Llene el vaso hasta la mitad con agua caliente y añada un par de gotitas de detergente lavavajillas líquido en el vaso. Encaje o empuje la tapa de dos piezas hasta que encaje en su sitio.
2. Seleccione la velocidad variable 1. Encienda la máquina y aumente lentamente la velocidad hasta la variable 10 y, a continuación, hasta Alta. Deje la máquina en velocidad Alta entre 30 y 60 segundos.
3. Apague la máquina. Lave y escurra el vaso.

Para la desinfección:

1. Siga las instrucciones anteriores para la limpieza normal.
2. Llene el vaso hasta la mitad con agua y una cucharadita o una cucharadita y media de agente desinfectante líquido. Encaje o empuje la tapa de dos piezas hasta que encaje en su sitio.
3. Seleccione la velocidad variable 1. Encienda la máquina y aumente lentamente la velocidad hasta la variable 10 y, a continuación, hasta Alta. Deje la máquina en velocidad alta entre 30 y 60 segundos.
4. Apague la máquina y deje reposar la solución desinfectante en el vaso durante otro minuto o minuto y medio.
5. Vierta el contenido del vaso. Deje secar el vaso al aire. No lo enjuague tras la desinfección.

Tapa, cubilete y espátula

Separe la tapa del cubilete. Lave las piezas con agua caliente y jabón. Enjuáguelas bien bajo el grifo y séquelas. Vuelva a montarlas antes de utilizar la batidora.

Unidad motora:

1. Desconecte el cable de alimentación.
2. Lave con cuidado la superficie exterior con un paño de algodón suave o una esponja humedecidos con una solución no abrasiva de agua caliente y detergente líquido. No sumerja la base del motor en agua.
3. Se puede extraer el panel de centrado para limpiarlo a fondo.
4. Limpie los interruptores con cuidado para que funcionen bien. el uso puede dejarlos pegajosos. Humedezca un bastoncillo de algodón con un desengrasante o limpiador doméstico y limpie las ranuras alrededor de los interruptores. Seque inmediatamente toda la superficie.
5. Pase un paño suave para acabar de secar la base del motor.

ESPECIFICACIONES

Voltaje: 120 V CA	Voltaje: 100 V CA (Japón)
Intensidad: 11,5 (+2 CV de pico*)	Potencia: 900 (más de 2 CV de pico*)
12,5 (más de 3 CV de pico*)	Potencia: 975 (más de 3 CV de pico*)
Hz: 50/60	Hz: 50/60
Voltaje: 220-240 V CA	Voltaje: 120 V CA CEM (Taiwán)
Potencia: 750-850 (más de 2 CV de pico*)	Intensidad: 11,5 (más de 2 CV de pico*)
Potencia: 1100-1200 (más de 3 CV de pico*)	Hz: 60
Hz: 50/60	

*Varía en función del voltaje









VITA-PREP® E VITA-PREP® 3

VM0101D e VM0103D

SEZIONI

Inglese.....	1
Tedesco.....	7
Svedese.....	13
Francese.....	19
Russo.....	25
Spagnolo.....	31
Italiano.....	37
Portoghese.....	43
Arabo.....	49

SIMBOLI

	Avvertenza		Attenzione
	Non toccare MAI le parti in movimento. Tenere mani e utensili lontani dal contenitore		Mettere in funzione con il coperchio e il relativo tappo installati
	Pericolo di scosse elettriche		Leggere e comprendere il manuale di istruzioni
	Temperatura elevata durante la miscelazione di liquidi caldi		Non immergere
	NON inserire nulla nel contenitore mentre il frullatore è in funzione		On/Off
	Scollegare quando non è in uso, prima di effettuare la pulizia, di cambiare gli accessori o di avvicinarsi alle parti che si muovono durante l'utilizzo del frullatore		

INFORMAZIONI SUL RICICLAGGIO

Questo prodotto è stato fornito da un produttore consapevole in materia ambientale.

Questo prodotto può contenere sostanze potenzialmente pericolose per l'ambiente se smaltite in luoghi (discariche) non conformi alle normative vigenti.

Questo prodotto presenta il simbolo del cassonetto barrato per incoraggiare il riciclaggio laddove possibile.

Preghiamo gli acquirenti di essere responsabili dal punto di vista ambientale e di riciclare questo prodotto tramite l'impianto di riciclaggio della propria zona al termine della vita utile del prodotto.



Vita-Mix® Corporation Commercial Division

8615 Usher Road, Cleveland, Ohio 44138 Stati Uniti
 Tel. (Stati Uniti e Canada): 1.800.437.4654
 Tel. (internazionale): 1.440.782.2450
 Assistenza tecnica: 1.800.886.5235
 E-mail: commercial@vitamix.com
commercialts@vitamix.com

Per conoscere la serie completa dei prodotti Vitamix, visitare il sito vitamix.com.

⚠ AVVERTENZA



Per evitare lesioni.

Leggere e comprendere il manuale d'istruzioni prima di utilizzare la macchina. Seguire le precauzioni di sicurezza di base, che comprendono quanto segue.



⚠ AVVERTENZA



Pericolo di scosse elettriche.

Utilizzare SOLO una presa collegata a terra.

NON rimuovere la messa a terra.

NON utilizzare un adattatore.

NON utilizzare una prolunga.

L'inosservanza delle istruzioni può causare la morte o scosse elettriche.

LEGGERE TUTTE LE ISTRUZIONI, LE MISURE DI SICUREZZA E LE AVVERTENZE PRIMA DI ATTIVARE IL FRULLATORE.

1. Leggere tutte le istruzioni.
2. È necessaria una stretta sorveglianza quando qualsiasi apparecchio è utilizzato da o in presenza di bambini o persone incapaci.
3. Questo frullatore non è previsto per essere utilizzato da persone con ridotte capacità fisiche, sensoriali o mentali, o prive di esperienza e conoscenza, salvo il caso in cui una persona responsabile della loro sicurezza non abbia fornito loro supervisione o istruzioni circa l'uso dell'apparecchio.
4. Per evitare il rischio di scosse elettriche, non immergere la base del frullatore in acqua o altri liquidi.
5. Scollegare l'apparecchio dalla presa quando non è utilizzato, prima di aggiungere o togliere componenti e prima di pulirlo.
6. Evitare il contatto con parti in movimento.
7. NON utilizzare alcun apparecchio se il cavo o la spina sono danneggiati, dopo che l'apparecchio ha presentato problemi di funzionamento, è caduto o è stato danneggiato in qualsiasi modo. Contattare immediatamente il dettagliante o distributore per farlo esaminare, riparare, sostituire o per qualsiasi regolazione elettrica o meccanica.
8. L'alterazione o la modifica di qualsiasi parte o componente del gruppo del frullatore, incluso l'uso di qualsiasi parte, componente o accessorio che non è originale o autorizzato da Vitamix, può causare incendi, folgorazioni o infortuni.
9. L'uso di accessori non espressamente autorizzati o venduti da Vitamix per essere utilizzati con questo frullatore, tra cui barattoli, può provocare incendi, scosse elettriche o lesioni.
10. Se l'apparecchio è dotato di regolatore di velocità, iniziare sempre con l'impostazione di velocità più bassa.
11. NON utilizzare l'apparecchio per scopi diversi da quello di destinazione.
12. Il normale carico massimo è pari ai litri (once) indicati sul contenitore, ad es. 64 once / 2,0 L, 48 once / 1,4 L e notevolmente inferiore con composti densi.
13. NON utilizzare all'aperto.
14. NON lasciare che il cavo penzoli dal bordo del tavolo o del bancone, oppure tocchi superfici calde, incluso il piano di cottura.
15. Tenere le mani e gli utensili fuori dal contenitore durante la miscelazione, per ridurre il rischio di lesioni personali gravi o danni al frullatore. Il pestello può essere usato durante la miscelazione nel contenitore. È possibile utilizzare un raschietto di gomma o una spatola, ma solo quando il frullatore non è in funzione. Non lasciare il pestello, il raschietto o qualsiasi altro utensile nel contenitore mentre è in funzione o quando il motore è spento.
16. Le lame sono affilate. Durante la pulizia del contenitore, prestare attenzione onde evitare infortuni.
17. Per ridurre il rischio di infortuni, non posizionare mai il gruppo lame sulla base motore quando non è assemblato con il contenitore.
18. NON lasciare oggetti estranei, come cucchiari, forchette, coltelli o il tappo del coperchio, in entrambi i contenitori, in quanto si potrebbero danneggiare le lame e gli altri componenti quando si avvierà l'apparecchio, con la possibilità di infortuni.
19. Non cercare mai di azionare il frullatore se le lame sono danneggiate.
20. Il coperchio e il tappo del coperchio DEVONO essere saldamente in posizione durante la miscelazione. Il tappo del coperchio deve essere rimosso solo quando si aggiungono gli ingredienti e si utilizza il pestello.
21. Durante la preparazione di burro a base di frutta secca o cibi oleosi, non lavorare per più di un minuto dopo che il composto ha iniziato a circolare all'interno del contenitore. Le lavorazioni protratte per lunghi periodi possono causare pericolosi surriscaldamenti.
22. **AVVERTENZA:** Durante la lavorazione di liquidi caldi:
 - Il coperchio a due elementi deve essere saldamente fissato in posizione. Ciò consente al vapore di fuoriuscire normalmente e impedisce che il coperchio si stacchi quando viene azionata la macchina.
 - Non iniziare la lavorazione di liquidi caldi a velocità ELEVATA. Iniziare la lavorazione di liquidi caldi sempre a BASSA velocità, quindi passare alla velocità ELEVATA mentre la macchina è in funzione.
 - Prestare attenzione con i liquidi caldi. I liquidi che potrebbero schizzare da sotto il coperchio o il vapore che fuoriesce potrebbero causare scottature.
 - Non frullare ingredienti caldi con il coperchio Vitamix non fissato saldamente.

CONSERVARE QUESTE ISTRUZIONI

NOTE IMPORTANTI

Le istruzioni presenti in questo manuale d'uso e manutenzione non possono coprire tutte le condizioni e situazioni possibili che potrebbero verificarsi. Quando si utilizza o si effettua manutenzione su qualsiasi apparecchio bisogna sempre adottare buon senso e attenzione.

IMPORTANTI ISTRUZIONI PER LA SICUREZZA D'USO

Non lasciare incustodito il frullatore Vitamix durante il funzionamento. Qualsiasi operazione di riparazione, manutenzione o sostituzione di parti, deve essere eseguita da Vitamix o da un tecnico di manutenzione autorizzato.

AVVISO: L'INOSSERVANZA DI UNA QUALSIASI DELLE MISURE DI SICUREZZA E DELLE ISTRUZIONI IMPORTANTI PER LA SICUREZZA D'USO È CONSIDERATA UN USO IMPROPRIO DEL FRULLATORE VITAMIX E PUÒ RENDERE NULLA LA GARANZIA E PROVOCARE IL RISCHIO DI LESIONI GRAVI.

Manutenzione del frullatore Vitamix®

Per tenere il prodotto Vitamix® in buone condizioni di funzionamento e prolungarne il più possibile la durata, è importante seguire alcuni suggerimenti di semplice manutenzione:

1. Ispezionare periodicamente la bussola per verificarne lo stato di usura, crepe o rotture. Se si riscontra un danno, sostituire la bussola con la bussola di ricambio inclusa al miscelatore. Per acquistare altre bussole di ricambio, contattare Vita-Mix® Corporation (di seguito denominata "Vitamix") al numero 1-800-437-4654. Per i clienti al di fuori degli Stati Uniti, contattare il proprio rivenditore autorizzato Vitamix o chiamare la divisione internazionale Vitamix al numero +1.440.782.2450, oppure inviare un'e-mail all'indirizzo commercial@vitamix.com (Stati Uniti e Canada) international@vitamix.com (al di fuori degli Stati Uniti e del Canada) per richiedere assistenza.
2. Ruotare manualmente il gruppo cuscinetti delle lame per accertarsi che ruotino agevolmente o che non girino troppo liberamente. Se la lama vacilla o gira troppo liberamente, contattare Vitamix per informazioni sulla garanzia o per avere il nominativo del rivenditore più vicino.
3. Non mettere mai in funzione la macchina senza il tappetino di centraggio correttamente installato sulla base e non rimuovere mai il contenitore dalla base prima che le lame abbiano smesso di muoversi.

Garanzia limitata - (salvo altrimenti previsto dal contratto)

Vita-Mix® Corporation (di seguito denominata "Vitamix") garantisce all'utente finale originario ("Acquirente") che i frullatori commerciali Vitamix (costituiti da base motore, contenitore e coperchio, di seguito collettivamente denominati "Apparecchiatura") sono privi di difetti di materiale e vizi di fabbricazione per i periodi di garanzia applicabili all'Apparecchiatura, come descritto nel presente documento e secondo le condizioni definite qui di seguito. È necessaria la prova di acquisto.

Qui di seguito sono indicati i soli rimedi per l'Acquirente e gli unici obblighi di garanzia di Vitamix.

Nessun dipendente di Vitamix o qualsiasi altra persona è autorizzata a rilasciare garanzie aggiuntive o modifiche delle seguenti garanzie.

Cosa è incluso nella Garanzia

A. Garanzia per base motore (che include pannello dei comandi e tastierino)

Vitamix garantisce all'utente finale originale che:

- Se la base motore si guasta a causa di difetti di materiale o vizi di fabbricazione entro trenta (30) giorni dalla data di acquisto, Vitamix sostituirà la base motore con una nuova.
- Se la base motore si guasta a causa di difetti di materiale o vizi di fabbricazione dopo trenta (30) giorni ma entro un (1) anno dalla data di acquisto, Vitamix si assumerà il costo di tutti i pezzi e della manodopera necessari per riparare la base motore.
- Se la base motore si guasta a causa di difetti di materiale o vizi di fabbricazione dopo il primo anno ma entro tre (3) anni dalla data di acquisto, Vitamix si assumerà il costo di tutti i pezzi necessari per riparare la base motore.

B. Garanzia per contenitore, coperchio, tappo del coperchio, tappetino di centraggio, gruppo lame, bussola e involucro di protezione acustica (se incluso).

Vitamix garantisce al primo utente finale che in caso di guasto di un involucro di protezione acustica, contenitore, coperchio, gruppo lame o bussola, a causa di difetti di materiale o vizi di fabbricazione, sopraggiunto entro un (1) anno dalla data di acquisto, Vitamix si assumerà il costo di tutti i pezzi e della manodopera necessari per riparare il componente.

Il solo obbligo a carico di Vitamix secondo le presenti disposizioni di garanzia è la riparazione o la sostituzione del pezzo o dei pezzi in garanzia, come determinato esclusivamente da Vitamix.

IN NESSUN CASO, SIA ESSO SU BASE CONTRATTUALE, RISARCITORIA, DI GARANZIA O ILLECITO (COMPRESA LA NEGLIGENZA), RESPONSABILITÀ INCONDIZIONATA O ALTRO, VITAMIX SARÀ RITENUTA RESPONSABILE DI QUALSIASI DANNO SPECIALE, INDIRETTO, ACCESSORIO O CONSEGUENZIALE DI QUALSIASI NATURA, IVI INCLUSI, MA NON SOLO, MANCATO PROFITTO, MANCATI UTILI E INTERRUZIONE D'ESERCIZIO. LA SUDETTA GARANZIA LIMITATA È IL SOLO RIMEDIO PER L'ACQUIRENTE, CHE, CON VITAMIX, RINUNCIA ESPRESSAMENTE, CON LA PRESENTE, A OGNI ALTRA GARANZIA O CONDIZIONE, ESPLICITA O IMPLICITA, DI LEGGE O AD ALTRO TITOLO, IVI COMPRESA QUALSIASI GARANZIA IMPLICITA DI COMMERCIALITÀ E ADEGUATEZZA A UNO SCOPO PARTICOLARE, E, IN VIA NON LIMITATIVA DI QUANTO PREVISTO IN GENERALE NELLE CLAUSOLE CHE PRECEDONO, CON VITAMIX ESPRESSAMENTE ESCLUDE, CON LA PRESENTE, PER QUANTO CONSENTITO DALLA LEGGE, L'APPLICAZIONE DI QUALSIASI NORMATIVA SULLA VENDITA DI BENI E DELLA CONVENZIONE DELLE NAZIONI UNITE SUI CONTRATTI PER LA VENDITA INTERNAZIONALE DI BENI, COME APPLICABILE.

Alcune giurisdizioni non consentono limitazioni sulle garanzie implicite o sui danni speciali, accidentali o consequenziali.

Cosa non è incluso nella Garanzia (esclusioni dalla copertura)

Queste garanzie non includono riparazioni necessarie a causa di:

- A. Normale usura;
- B. Abuso, uso improprio o negligente;

- C. Alterazione dell'Apparecchiatura, ivi compresi, ma non solo, base motore, contenitore, coperchio o involucro di protezione acustica;
- D. Esposizione a condizioni estreme; oppure
- E. Installazione impropria dell'Apparecchiatura, ivi compresi, ma non solo, mancata regola d'arte, insosservanza delle istruzioni fornite e/o ventilazione inadeguata dei modelli dell'unità di miscelazione "a incasso".

Applicabilità delle garanzie (condizioni di copertura)

Le garanzie contenute nel presente documento sono valide esclusivamente nei confronti dell'utente finale originario e non sono cedibili. Per avvalersi della garanzia è necessaria la prova di acquisto.

Qualsiasi garanzia offerta da Vitamix è valida solo se usata in conformità a: a) il manuale dell'utente a cui è possibile accedere anche sul sito www.vitamix.com; b) la garanzia esplicita; e c) tutte le istruzioni di manutenzione indipendentemente dal momento in cui sono fornite.

Cosa rende nulla la Garanzia

Tutte le garanzie del prodotto divengono nulle se:

- Il miscelatore viene collocato in un involucro di protezione acustica non prodotto da Vitamix.
- Qualsiasi componente di un'Apparecchiatura o pezzo coperto da garanzia viene modificato, alterato, "ricondizionato" o riparato da persone che esulano da Vitamix, dai suoi centri assistenza autorizzati o dai suoi rivenditori autorizzati.
- Qualsiasi componente Vitamix coperto da garanzia viene usato con un componente non espressamente autorizzato da Vitamix per iscritto (ovvero l'uso di un contenitore Vitamix con una base motore non Vitamix e/o l'uso di una base motore Vitamix con un contenitore non Vitamix) o
- Qualsiasi parte del frullatore non è correttamente installata, ivi compresi, ma non solo, mancata regola d'arte, insosservanza delle istruzioni fornite e/o ventilazione inadeguata dei modelli "a incasso".

Come ottenere la copertura della garanzia e la riparazione

Chi contattare per assistenza e riparazione in garanzia. Qualora il miscelatore Vitamix necessiti di assistenza o riparazione coperta dai termini della presente garanzia, chiamare Vita-Mix Corporation, un centro di assistenza autorizzato o un rivenditore locale per assistenza sulla garanzia.

- Per l'Apparecchiatura acquistata o utilizzata negli Stati Uniti e in Canada, contattare il Servizio assistenza clienti Vitamix al numero: 800-437-4654.
- Se l'acquisto è stato effettuato al di fuori degli Stati Uniti continentali, contattare il proprio rivenditore autorizzato Vita-Mix, o chiamare la divisione internazionale Vita-Mix al numero +1.440.782.2450, oppure inviare un'e-mail all'indirizzo international@vitamix.com per avere il nominativo del rivenditore più vicino.

Verrà richiesto di fornire la prova di acquisto dell'Apparecchiatura. Se il servizio di assistenza tecnica da remoto non può risolvere il problema dell'Apparecchiatura da remoto, l'Apparecchiatura dovrà essere sottoposta a riparazione. Il reparto di assistenza aiuterà l'acquirente a localizzare un centro di assistenza autorizzato oppure organizzerà la spedizione di reso dell'Apparecchiatura a Vitamix.

Come spedire l'Apparecchiatura a Vitamix per assistenza

- A. Ottenere un codice di autorizzazione del reso prima della spedizione. Non restituire l'Apparecchiatura senza previa approvazione di Vitamix. Vitamix non sarà in alcun caso responsabile del costo di qualsiasi riparazione non autorizzata. Tutti i resi devono riportare chiaramente sull'imballo esterno il Codice di autorizzazione del reso ("RA"). Qualsiasi Apparecchiatura inviata a Vitamix senza previa autorizzazione o approvazione verrà rispedita all'indirizzo del mittente "così com'è", senza riparazione.
- B. Imballare correttamente il reso. Qualsiasi articolo inviato a Vitamix deve essere reso nell'imballo originale o con un imballo adeguato.

1 Interruttore di accensione/spengimento: Spingere verso l'alto per accendere (I). Spingere verso il basso per spegnere (O).

2 Pannello dei comandi: Per ulteriori informazioni, fare riferimento a Pannello dei comandi a pagina 9.

! ATTENZIONE: i coperchi e i pestelli non sono intercambiabili tra contenitori di diverso modello, tipo e dimensione.

3 Contenitore di capacità pari a 2 litri (64 once) con coperchio a due elementi:

- **Utilizzare sempre il coperchio e il relativo tappo quando la macchina è in funzione.**
- **Non azionare mai il frullatore senza il coperchio saldamente in posizione.**
- Once, millilitri e tazze sono chiaramente contrassegnati.
- Inserire il tappo del coperchio attraverso il coperchio e fissarlo ruotandolo in senso orario.
- Rimuovere il tappo del coperchio per utilizzare il pestello o aggiungere ingredienti.

4 Pestello: L'utilizzo del pestello mantiene stabile la distribuzione evitando la formazione di bolle d'aria.

5 Coperchio a due elementi: (coperchio e tappo del coperchio)

Per bloccare il coperchio in posizione: il coperchio deve essere sempre fissato durante la lavorazione, soprattutto con liquidi caldi che potrebbero provocare ustioni. **Non azionare mai il frullatore senza il coperchio saldamente in posizione.** Il coperchio presenta un bordo continuo che si incastra nelle linguette del contenitore. Spingere un lato del bordo sotto una linguetta e spingere verso il basso, sulla linguetta opposta, per far scattare il coperchio in posizione.

Per rimuovere il coperchio: Posizionare le mani attorno al coperchio, premendo con i pollici su una delle linguette del contenitore. Spingere e sollevare verso l'esterno.

Per rimuovere il tappo del coperchio: ruotare il tappo del coperchio in senso antiorario dalla posizione di "blocco" a quella di "sblocco" e sollevarlo.

6 Cavo di alimentazione: Il cavo elettrico del frullatore è provvisto di spina tripolare (con messa a terra) compatibile con una presa di corrente tripolare standard. Questo cavo varia per i Paesi fuori dagli Stati Uniti d'America.

Sono disponibili adattatori per prese bipolari. Non tagliare o rimuovere il terzo polo (di terra) dalla spina o dal cavo elettrico. Consultare il proprio elettricista se non si ha la certezza che la presa di corrente sia collegata a terra mediante il cablaggio della struttura. Con una presa di corrente bipolare con adeguata messa a terra, collegare a terra la macchina fissando la linguetta sull'adattatore al coperchio della presa di corrente per mezzo della vite al centro del coperchio.

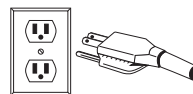
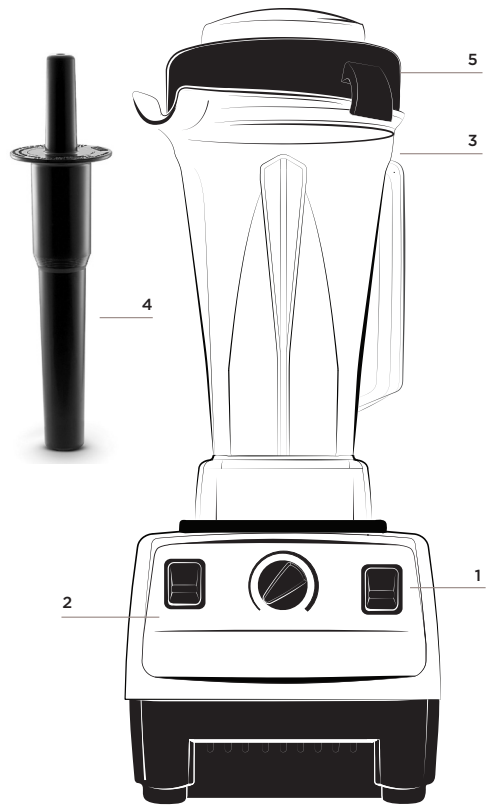


FIGURA A

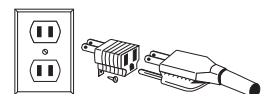
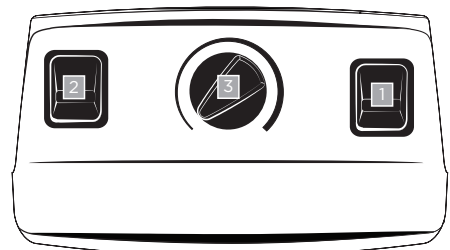


FIGURA B

PANNELLO DEI COMANDI

- 1 Interruttore di accensione/spengimento:** spingere verso l'alto per accendere (I). Spingere verso il basso per spegnere (O).
- 2 Interruttore di velocità Alta/Variabile:** Alta (Δ) è la velocità massima disponibile. Passare a Variabile (◀) per attivare le velocità variabili. **Assicurarsi sempre che l'interruttore di velocità Alta/Variabile sia impostato su Variabile (◀) prima di sollevare l'interruttore On/Off in posizione On (I).** Non avviare la macchina a velocità Alta (Δ).
- 3 Selettore di velocità variabile:** seleziona diverse impostazioni di velocità. È attivo solo quando l'interruttore di velocità Alta/Variabile è impostato sulla posizione Variabile (◀).



ATTENZIONE**Le lame rotanti possono causare danni.**

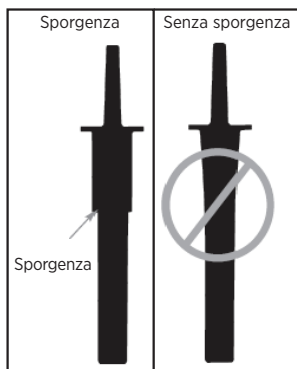
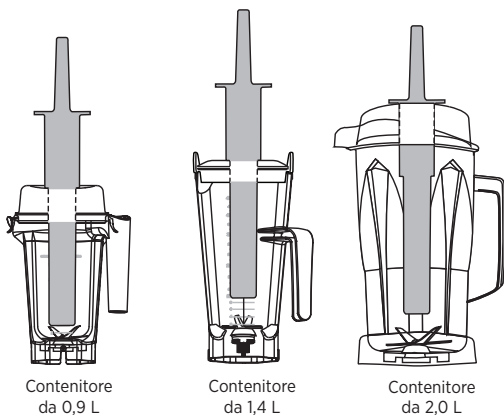
I coperchi e i pressini non sono intercambiabili tra contenitori di diverso modello, tipo e dimensione. Usare il pestello in dotazione con la macchina.

Come scegliere il pestello da utilizzare con il contenitore

Il pestello è progettato per essere usato in sicurezza e in maniera efficiente con i contenitori commerciali. **Se il pestello è in dotazione, significa che è l'utensile adatto al contenitore.**

Per verificare che si sta usando il pestello corretto, posizionare il coperchio su un contenitore vuoto, rimuovere il tappo del coperchio e inserire il pestello. Il pestello deve adattarsi facilmente all'apertura del coperchio, ma non deve venire a contatto con le lame comunque si muova il pestello all'interno del contenitore. **SE IL PESTELLO TOCCA LE LAME CON QUALSIASI ANGOLAZIONE, NON UTILIZZARLO CON IL CONTENITORE.**

Qualora non si disponga del pestello adeguato al contenitore in proprio possesso, contattare l'assistenza clienti Vitamix negli Stati Uniti e in Canada al numero 800-886-5235 oppure inviare un'e-mail a commercial@vitamix.com. Al di fuori degli Stati Uniti e del Canada al numero +1.440.782.2450 o inviare un'e-mail a international@vitamix.com. Qualora fosse necessaria un'assistenza tecnica, inviare un'e-mail a: commercialts@vitamix.com.

**AVVERTENZA****Le lame rotanti possono causare gravi lesioni.**

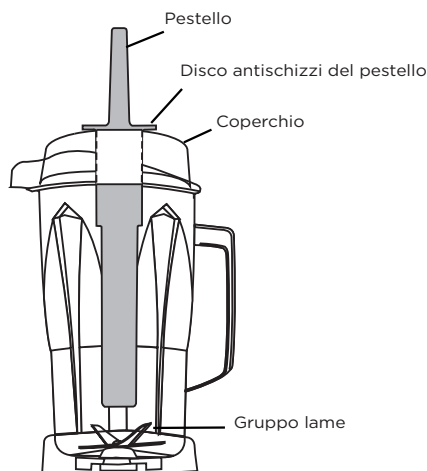
NON inserire mani, spatole, ecc. all'interno del contenitore durante il funzionamento dell'apparecchio o quando il contenitore si trova ancora sulla base.

I coperchi e i pressini non sono intercambiabili tra contenitori di diverso modello, tipo e dimensione. Usare il pestello in dotazione con la macchina.

Non forzare il pestello all'interno del contenitore da 32 once. Non utilizzare un pestello senza sporgenze in un contenitore commerciale Vitamix.

**IMPORTANTE**

- Il disco antischizzi (accanto alla parte superiore del pestello) e il coperchio impediscono al pestello di urtare le lame quando il coperchio è fissato correttamente in posizione di chiusura.
- Il contenitore non deve essere riempito per più di due terzi quando si utilizza il pestello durante la miscelazione.
- Per evitare surriscaldamento durante la miscelazione, **NON** usare il pestello per più di 30 secondi consecutivi.
- Se il cibo non viene distribuito, all'interno della macchina potrebbe esservi una bolla d'aria. Rimuovere con cura il tappo del coperchio e assicurarsi invece che il coperchio rimanga saldamente in posizione. Sbloccare la bolla d'aria inserendo il pestello attraverso l'apertura del tappo del coperchio.
- È possibile che la movimentazione degli ingredienti non sia agevolata se si tiene il pestello in posizione verticale. Se necessario, muovere il pestello verso i lati o gli angoli del contenitore. **NON** provare a forzare il pressino più in profondità all'interno del contenitore.



AVVERTENZA

Il tappo del coperchio deve essere rimosso solo quando si aggiungono gli ingredienti e si utilizza il pestello.

Avviare sempre il miscelatore con il selettore di velocità variabile impostato su 1 e l'interruttore Alta/Bassa in posizione Bassa. Durante la miscelazione di liquidi caldi, non avviare mai a velocità superiore a 1 o con l'interruttore Alta/Bassa in posizione Alta in modo da evitare possibili ustioni.



- **Lavorare all'impostazione Alta (Δ) per il maggior tempo di lavorazione possibile per ottenere succhi, zuppe, frullati, composti congelati, puree, burro di arachidi e per macinare grani. Generalmente, i tempi di lavorazione sono inferiori a un minuto (la maggior parte di essi richiedono meno di 30 secondi).**
 - **SUGGERIMENTO: Una miscelazione prolungata a un'impostazione di velocità troppo bassa provoca il surriscaldamento della macchina e il conseguente spegnimento di quest'ultima dovuto alla protezione da sovraccarico automatica. La miscelazione a velocità Alta (Δ) utilizza la ventola di raffreddamento del motore per evitare il surriscaldamento.**
 - A velocità Alta (Δ), se il cibo non circola, rimuovere con cura il tappo del coperchio e assicurarsi che il coperchio rimanga saldamente al proprio posto. Sbloccare il composto inserendo il pestello attraverso l'apertura del tappo del coperchio. Se i problemi di distribuzione continuano, la velocità della macchina sarà ridotta. Una velocità inferiore permette la distribuzione del cibo, ma una velocità superiore no. Aggiungere del liquido, se necessario. NON riempire eccessivamente. Quando il cibo viene distribuito liberamente, aumentare nuovamente la velocità ad Alta (Δ) e continuare con la lavorazione.
 - Durante la preparazione di burro a base di frutta secca o cibi oleosi, non lavorare per più di un minuto dopo che il composto ha iniziato a circolare all'interno del contenitore. La lavorazione durante un periodo di tempo maggiore può causare danni al contenitore e surriscaldamento del motore.
 - **Protezione da sovraccarico automatica:** il motore di Vitamix è stato progettato con protezione contro il surriscaldamento. Se il motore si spegne, disattivare l'interruttore di alimentazione per 45 minuti per ripristinare.
1. Verificare che il selettore di velocità variabile sia impostato su 1.
 2. Riempire il contenitore prima di collocarlo sulla base del motore. Inserire, per primi, liquidi o alimenti morbidi nel contenitore, e da ultimi alimenti solidi e ghiaccio.
 3. Serrare saldamente il coperchio a due elementi. Usare sempre il coperchio a due elementi completo durante la miscelazione (a meno che il pestello non sia inserito attraverso l'apertura del tappo del coperchio). Quando la miscelatura avviene con ingredienti caldi, verificare che il coperchio sia ben fissato.
 4. Con il motore spento, posizionare il contenitore con lame per taglio ucido sulla base del motore allineandolo sopra il tappetino di centraggio. Non tentare di posizionare un contenitore su una base del motore in funzione oppure di attivare una base del motore senza un contenitore ben collocato in posizione.
 5. Iniziare con l'interruttore di velocità Alta/Variabile in posizione Variabile (↙). Azionare sempre il frullatore impostandolo sulla Velocità variabile 1. Attivare il frullatore posizionando l'interruttore On/Off su On (I) e, in seguito, aumentare gradualmente la velocità al livello desiderato. Il contenitore si sposterà e si allineerà.
 6. **Prestare molta attenzione durante la manipolazione e la lavorazione di ingredienti caldi e la preparazione di zuppe e salse calde.**
 7. Data la velocità della macchina, i tempi di lavorazione sono molto più rapidi se comparati con gli apparecchi standard.
 8. Dopo aver spento la macchina, attendere il completo arresto delle lame prima di rimuovere il coperchio o il contenitore dalla base del motore.

AVVERTENZA**Pericolo di scosse elettriche.**

Scollegare la macchina dall'alimentazione prima di pulirla.

L'inosservanza delle istruzioni può causare scosse elettriche o infortuni mortali.

**Pulizia normale:**

1. Riempire per metà il contenitore con acqua tiepida e aggiungervi un paio di gocce di detergente liquido per piatti. Chiudere finché non si avverte uno scatto o spingere il coperchio a due elementi in posizione di chiusura.
2. Selezionare la velocità variabile 1. Accendere la macchina e aumentare gradualmente la velocità fino a 10 e successivamente ad Alta. Far funzionare la macchina a velocità Alta per 30-60 secondi.
3. Spegnerla la macchina. Risciacquare e svuotare il contenitore.

Per igienizzare:

1. Seguire le istruzioni per la pulizia normale elencate qui sopra.
2. Riempire per metà il contenitore con acqua e 1 cucchiaino e mezzo di candeggiane liquido. Chiudere finché non si avverte uno scatto o spingere il coperchio a due elementi in posizione di chiusura.
3. Selezionare la velocità variabile 1. Accendere la macchina e aumentare gradualmente la velocità fino a 10 e successivamente ad Alta. Far funzionare la macchina a velocità Alta per 30-60 secondi.
4. Spegnerla la macchina e lasciare il composto nel contenitore per circa 1 minuto e ½.
5. Svuotare la miscela sterilizzante. Lasciare asciugare il contenitore all'aria. Non sciacquare dopo la sterilizzazione.

Coperchio, tappo del coperchio e pestello

Separare il coperchio e il tappo del coperchio. Lavare le parti in acqua tiepida saponata. Sciacquare sotto acqua corrente e asciugare. Riasssemblare prima dell'uso.

Base del motore:

1. Scollegare il cavo elettrico.
2. Lavare la superficie esterna con un panno morbido o una spugna umidi, precedentemente sciacquati in una soluzione delicata di detergente liquido e acqua tiepida. Non collocare la base del motore in acqua.
3. Il tappetino di centraggio può essere rimosso per una pulizia più scrupolosa.
4. Pulire meticolosamente gli interruttori per consentire loro di funzionare liberamente. L'uso può renderli appiccicosi. Inumidire un batuffolo di cotone con un comune sgrassatore o detergente e pulire le scanalature attorno agli interruttori. Asciugare immediatamente tutte le superfici.
5. Ripulire con un panno morbido.

SPECIFICHE

Volt: 120 V CA
A: 11,5 (2+ CV picco*)
12,5 (3+ CV picco*)
Hz: 50/60

Volt: 100 V CA (Giappone)
Watt: 900 (2+ CV picco*)
Watt: 975 (3+ CV picco*)
Hz: 50/60

Volt: 220-240 V CA
Watt: 750-850 (2+ CV picco*)
Watt: 1100-1200 (3+ CV picco*)
Hz: 50/60

Volt: 120 V CA EMC (Taiwan)
A: 11,5 (2+ CV picco*)
Hz: 60

*varia in base alla tensione












VITA-PREP® E VITA-PREP® 3

VM0101D e VM0103D

SECÇÕES

Inglês.....	1
Alemão.....	7
Sueco.....	13
Francês.....	19
Russo.....	25
Espanhol.....	31
Italiano.....	37
Português.....	43
Árabe.....	49

SÍMBOLOS

	Aviso		Atenção
	NUNCA toque em peças em movimento. Mantenha mãos e utensílios fora do recipiente		Utilize com a tampa e o tampão corretamente colocados
	Perigo de choque elétrico		Leia e compreenda o manual do utilizador
	Temperatura elevada durante a mistura de líquidos quentes		Não coloque em água
	NÃO introduza qualquer utensílio no recipiente com o liquidificador em funcionamento		On/Off
	Desligue a ficha da tomada quando não estiver a utilizar o liquidificador, antes de o limpar, ao trocar de acessórios ou ao aproximar peças que se movem com o liquidificador em funcionamento		

INFORMAÇÕES SOBRE RECICLAGEM

Este produto foi fornecido por um fabricante com consciência ambiental.

Este produto pode conter substâncias que podem prejudicar o ambiente se eliminadas em locais (aterros) não adequados de acordo com a legislação.

O símbolo de "caixote do lixo com uma cruz" é colocado neste produto para incentivar a reciclagem sempre que possível.

Seja ambientalmente responsável e recicle este produto através das instalações de reciclagem disponíveis no final da respetiva vida útil.



Vita-Mix® Corporation Departamento comercial

8615 Usher Road, Cleveland, Ohio 44138 U.S.A.
Tel. (EUA e Canadá): 1.800.437.4654
Tel. (Internacional): 1.440.782.2450
Serviços técnicos: 1.800.886.5235
E-mail: commercial@vitamix.com
commercialts@vitamix.com

Para consultar a gama completa de produtos Vitamix,
visite vitamix.com.

⚠ AVISO



Para evitar ferimentos.

Leia e compreenda o manual de instruções antes de utilizar esta máquina. As precauções de segurança básicas devem ser seguidas, incluindo as seguintes.



⚠ AVISO



Perigo de choque elétrico.

Utiliza APENAS uma tomada ligada à terra.

NÃO retire a ligação à terra.

NÃO utilize um adaptador.

NÃO utilize uma extensão.

O não cumprimento destas instruções pode causar morte ou choque elétrico.

LEIA TODAS AS INSTRUÇÕES, MEDIDAS DE SEGURANÇA E AVISOS ANTES DE UTILIZAR A MISTURADORA.

1. Leia todas as instruções.
2. É necessária uma supervisão próxima quando qualquer aparelho for utilizado por ou junto de crianças ou pessoas incapacitadas.
3. Esta misturadora não se destina à utilização por pessoas com capacidades físicas, sensitivas ou mentais reduzidas ou sem experiência e conhecimentos, salvo sejam supervisionadas ou instruídas em relação à utilização do aparelho por uma pessoa responsável pela respetiva segurança.
4. Para evitar o risco de choques elétricos, não coloque a base do liquidificador em água ou outro líquido.
5. Desligue o aparelho da tomada quando não estiver a ser utilizado, antes de colocar ou retirar peças e antes de limpar.
6. Evite o contacto com peças em movimento.
7. NÃO utilize qualquer aparelho com uma ficha ou cabo danificado ou se o aparelho estiver avariado, assim como depois de ter caído ou sofrido danos de alguma forma. Entre imediatamente em contacto com o seu revendedor ou distribuidor para avaliação, reparação, substituição ou ajuste mecânico ou elétrico.
8. A alteração ou modificação de qualquer peça ou componente do conjunto da misturadora, incluindo a utilização de qualquer peça, componente ou acessório que não seja uma peça original autorizada pela Vitamix, pode resultar em incêndio, choque elétrico ou ferimentos.
9. A utilização de acessórios que não sejam expressamente autorizados ou vendidos pela Vitamix para utilização com esta misturadora, incluindo frascos de conserva, podem resultar em incêndio, choque elétrico ou ferimentos.
10. Se a sua máquina estiver equipada com uma funcionalidade de velocidade variável, inicie sempre no ajuste de menor velocidade.
11. NÃO utilize o aparelho para fins que não envolvam a respetiva utilização pretendida.
12. A carga normal máxima é equivalente aos litros (onças) indicados no recipiente, por exemplo 2,0 l /64 oz., 1,4 l /48 oz. e substancialmente menos com misturas espessas.
13. NÃO utilize no exterior.
14. NÃO deixe o cabo pendurado sobre a extremidade da mesa ou da bancada de trabalho nem permita que entre em contacto com superfícies quentes, incluindo o fogão.
15. Mantenha mãos e utensílios fora do recipiente durante o funcionamento da misturadora, de modo a reduzir o risco de lesões graves em pessoas ou de danos na misturadora. O acessório de compactação pode ser utilizado durante o processamento no recipiente. É possível utilizar uma espátula ou raspador de borracha, mas apenas quando o liquidificador não estiver a funcionar. Não deixe o acessório de compactação, a espátula ou qualquer outro utensílio no recipiente durante o funcionamento nem quando o motor estiver parado.
16. As lâminas são afiadas. Ao limpar o recipiente, tenha cuidado para evitar ferimentos.
17. Para reduzir o risco de ferimentos, nunca coloque a unidade da lâmina na base do motor montada no recipiente.
18. NÃO deixe objetos estranhos, tais como colheres, garfos, facas ou o tampão num dos recipientes, uma vez que isto irá danificar as lâminas e outros componentes quando ligar a máquina e pode resultar em ferimentos.
19. Nunca tente operar o liquidificador com lâminas danificadas.
20. A tampa e o respetivo tampão TÊM de estar firmemente colocadas durante o processamento. O tampão apenas deve ser removido para adicionar ingredientes e para utilizar o acessório de compactação.
21. Quando fizer manteigas vegetais ou alimentos à base de óleo, não processe durante mais de um minuto após a mistura começar a circular no recipiente. O processamento durante longos períodos de tempo pode resultar num sobreaquecimento perigoso.
22. AVISO: Ao processar líquidos quentes:
 - A tampa articulada de duas partes tem de estar bem fixa no lugar. Isso permite que o vapor seja libertado naturalmente e impede que a tampa saia quando a máquina é ligada.
 - Não comece a processar líquidos quentes a ALTA velocidade. Comece sempre a processar os líquidos quentes a BAIXA velocidade e depois passe para uma velocidade mais ALTA com a máquina em funcionamento.
 - Tenha cuidado com os líquidos quentes. Os líquidos podem sair pelo tampão da tampa ou o vapor quente pode provocar queimaduras.
 - Não processe ingredientes quentes com uma tampa Vitamix que não fixe.

GUARDE ESTAS INSTRUÇÕES

NOTAS IMPORTANTES!

As instruções constantes deste Manual de Utilização e Manutenção não abrangem todas as condições e situações que possam ocorrer. Deve ter sempre senso comum e cuidado ao utilizar e manter qualquer aparelho.

INSTRUÇÕES IMPORTANTES PARA UMA UTILIZAÇÃO SEGURA

Não deixe o seu liquidificador Vitamix sem vigilância quando em funcionamento.

Qualquer reparação, assistência ou substituição de peças deve ser realizada pela Vitamix ou por um técnico de assistência autorizado.

OBSERVAÇÃO: O NÃO SEGUIMENTO DE QUAISQUER MEDIDAS DE SEGURANÇA IMPORTANTES E INSTRUÇÕES IMPORTANTES PARA A UTILIZAÇÃO SEGURA REPRESENTA UMA UTILIZAÇÃO INCORRETA DA SUA MISTURADORA VITAMIX QUE PODE ANULAR A SUA GARANTIA E CRIAR O RISCO DE LESÕES GRAVES.

Manutenção da Misturadora Vitamix®

De modo a maximizar a vida do seu produto Vitamix® e mantê-lo em bom funcionamento, é importante que siga algumas dicas simples de manutenção:

1. Inspeção periodicamente a chave de caixa para desgaste visível, rachas ou partes quebradas na chave. Se encontrar danos, substitua a chave de caixa com a chave de caixa extra incluída com a sua misturadora. Para adquirir chaves de caixa adicionais para substituição, contacte a Vita-Mix® Corporation (daqui em diante "Vitamix") através do número 1-800-437-4654. Para clientes fora dos E.U.A., contacte o seu distribuidor local autorizado Vitamix, ou o Departamento Internacional da Vitamix através do telefone +1 440 782 2450 ou através do endereço de correio comercial@vitamix.com (EUA e Canadá) internacional@vitamix.com (fora dos EUA e do Canadá) para obter assistência.
2. Rode manualmente o conjunto de rolamento da lâmina para se certificar de que o mesmo funciona sem intermitências ou de que não gira demasiado livremente. Se a lâmina funciona intermitentemente ou gira demasiado livremente, contacte a Vitamix para informação sobre a garantia ou um distribuidor perto de si.
3. Nunca opere a máquina sem que o encaixe centralizador esteja corretamente colocado na base e nunca remova o recipiente da base antes de as lâminas estarem completamente paradas.

Garantia limitada - (Salvo em caso contrário de cobertura por Contrato)

A Vita-Mix® Corporation (daqui em diante "Vitamix") garante ao consumidor final original ("Comprador") que as suas misturadoras comerciais Vitamix (compostas por uma base de motor, recipiente e tampa, daqui em diante referidas coletivamente como o "Equipamento") estarão livres de defeitos de material e mão de obra durante os períodos de garantia aplicáveis ao Equipamento tal como aqui descrito e sujeitos às condições abaixo apresentadas. É necessário comprovativo de compra.

Os recursos descritos em seguida são os únicos de que o Comprador dispõe e as condições as únicas obrigações de garantia da Vitamix.

Nenhum empregado da Vitamix ou qualquer outra pessoa está autorizada a acrescentar alguma garantia ou fazer modificações às seguintes garantias.

O que é coberto pela garantia**A. Garantia da Base do Motor (inclui o painel de controlo e o touch pad)**

A Vitamix garante ao consumidor final original que:

- Se a base do motor falhar devido a defeitos de material ou mão de obra num prazo de trinta (30) dias após a data de compra, a Vitamix substituirá a base do motor por uma nova.
- Se a base do motor falhar devido a defeitos de material ou mão de obra após o prazo de trinta (30) dias posteriores à compra mas dentro de um (1) ano depois da data de compra, a Vitamix assumirá o custo de todas as peças e mão de obra necessárias para a reparação da base do motor.
- Se a base do motor falhar devido a defeitos de material ou mão de obra após o primeiro ano mas dentro de três (3) anos a partir da data de compra, a Vitamix assumirá o custo de todas as peças necessárias para a reparação da base do motor.

- B. Garantia do Recipiente, Tampa, Tampão, Encaixe Centralizador, Unidade da Lâmina, Chave de Caixa e Cobertura Insonorizante (se incluída).** A Vitamix garante ao consumidor final que se uma cobertura insonorizante, recipiente, tampa, unidade da lâmina ou chave de caixa falhar devido a defeitos de material ou mão de obra no prazo de um (1) ano após a data de compra, a Vitamix assumirá o custo de todas as peças e mão de obra necessárias para a reparação do componente.

Sob estas garantias, a única obrigação da Vitamix é reparar ou substituir a peça ou peças abrangidas pela garantia tal como exclusivamente determinado pela Vitamix.

EM CASO ALGUM, BASEADO EM CONTRATO, INDEMNIZAÇÃO, GARANTIA, DANO (INCLUINDO NEGLIGÊNCIA), RESPONSABILIDADE OBJETIVA OU OUTRA, SERÁ A VITAMIX RESPONSÁVEL POR QUAISQUER DANOS ESPECIAIS, INDIRETOS, ACIDENTAIS OU SUBSEQUENTES INCLUINDO, SEM LIMITAÇÃO, PERDA DE LUCROS OU RECEITAS. A GARANTIA LIMITADA ACIMA É UM RECURSO EXCLUSIVO SEU E O COMPRADOR E A VITAMIX VÊM POR ESTE MEIO REJEITAR TODAS AS OUTRAS GARANTIAS OU CONDIÇÕES, EXPRESSAS OU IMPLÍCITAS, LEGAIS OU DE OUTRA NATUREZA, INCLUINDO QUALQUER GARANTIA IMPLÍCITA DE MERCANTIBILIDADE E QUALQUER GARANTIA IMPLÍCITA DE ADEQUAÇÃO PARA UM PROPÓSITO PARTICULAR E, SEM LIMITAR A GENERALIDADE DO ANTERIORMENTE DESCRITO, O COMPRADOR E A VITAMIX VÊM POR ESTE MEIO EXCLUIR EXPRESSAMENTE, ATÉ ONDE PERMITIDO POR LEI, A APLICAÇÃO DE QUALQUER LEGISLAÇÃO DE VENDA DE BENS BEM COMO A CONVENÇÃO SOBRE CONTRATOS PARA A VENDA INTERNACIONAL DE BENS DAS NAÇÕES UNIDAS, TAL COMO PODERÁ SER APLICÁVEL.

Algumas jurisdições não permitem a limitação de garantias implícitas ou de danos especiais, acidentais ou subsequentes.

O que não é coberto pela garantia (exclusões de cobertura)

Estas garantias não incluem reparações necessárias devido a:

- A. Desgaste natural;
- B. Abuso, utilização incorreta, utilização negligente;
- C. Alteração do Equipamento incluindo, mas não limitado a, base do motor, recipiente, tampa ou cobertura insonorizante;
- D. Exposição a condições extremas; ou
- E. Instalação imprópria do Equipamento, incluindo mas não limitado a, fraca mão de obra, falha em seguir as especificações providenciadas e/ou ventilação inadequada do modelo "incorporado no balcão" da unidade de mistura.

Casos em que a garantia se aplica (Condições de Cobertura)

As garantias aqui contidas aplicam-se apenas ao consumidor final original e não são transferíveis. Para fazer uma reclamação ao abrigo da garantia, é necessário um comprovativo de compra.

Qualquer garantia oferecida pela Vitamix só é válida se usada de acordo com: a) o manual do utilizador que pode ser acessado a partir de www.vitamix.com; b) a garantia expressa; e c) todas as instruções de manutenção, independentemente do momento em que são fornecidas.

Causas para a anulação da garantia

Todas as garantias de produto são nulas se:

- A misturadora for colocada numa cobertura insonorizante não fabricada pela Vitamix.
- Qualquer componente do Equipamento ou peça coberta tiver sido modificado, alterado, "recondicionado" ou reparado por pessoas que não de um Distribuidor Vitamix autorizado, Centro de Assistência Vitamix autorizado ou da própria Vitamix.
- Qualquer componente Vitamix coberto tiver sido utilizado com um componente não autorizado expressamente por escrito pela Vitamix (i.e. utilizar um recipiente Vitamix com uma base do motor que não da Vitamix e/ou utilizar uma base do motor Vitamix com um recipiente que não da Vitamix); ou
- Qualquer parte da misturadora for instalada de forma imprópria, incluindo (mas não limitado a) fraca mão de obra, falha em seguir as especificações providenciadas e/ou ventilação inadequada do modelo "incorporado no balcão" da unidade de mistura.

Como obter cobertura da garantia e reparação

Contactos para serviço de garantia e reparação. No caso de a sua misturadora Vitamix necessitar de assistência ou reparação coberta pelos termos desta garantia, contacte a Vitamix, um centro de assistência autorizado ou um distribuidor local para ajuda relativa à garantia.

- Para Equipamento adquirido e localizado nos EUA e no Canadá, contacte o Apoio ao Cliente Vitamix através do número: 800-437-4654.
- Para aquisições fora do território continental dos E.U.A., contacte o seu Distribuidor Vita-Mix autorizado ou o Departamento Internacional da Vita-Mix através do telefone +1 440 782 2450 ou através do endereço de correio eletrónico international@vitamix.com para saber qual o distribuidor mais próximo.

Ser-lhe-á pedido que forneça um comprovativo de compra do Equipamento. Se a equipa de apoio técnico remoto não conseguir consertar o Equipamento remotamente, este terá de ser entregue para reparação. A equipa ajudá-lo-á a localizar um centro de assistência autorizado ou tratar dos procedimentos necessários para que o Equipamento seja enviado de volta à Vitamix.

Como enviar o Equipamento para receber assistência na Vitamix

- A. Obtenha um número de autorização de devolução antes do envio. Nunca devolva ou envie Equipamento sem a aprovação da Vitamix. A Vitamix não se responsabilizará, em qualquer circunstância, pelo custo de quaisquer reparações não autorizadas. Todas as devoluções de Equipamento devem ter o Número de Autorização de Devolução ("RA") marcado claramente no exterior da caixa. Qualquer equipamento que seja enviado à Vitamix sem autorização ou aprovação prévia será devolvido ao remetente sem qualquer reparação.
- B. Embale adequadamente o item devolvido. Qualquer item enviado à Vitamix deve estar na embalagem original ou então adequadamente embalado.

1 Interruptor de Ligar/Desligar: Empurre para cima para Ligar (I). Prima para Desligar (O).

2 Painel de Controlo: Para obter mais informações, consulte o Painel de Controlo.

⚠ ATENÇÃO: as tampas e os acessórios de compactação não podem ser utilizados entre recipientes de estilo, tipo e tamanhos diferentes.

3 Recipiente de 64 oz. de capacidade com tampa de 2 peças:

- Utilize sempre a tampa e o tampão com a misturadora em funcionamento.
- Nunca utilize a misturadora sem a tampa estar devidamente bloqueada.
- As onças, os mililitros e as chávenas estão devidamente assinaladas.
- Introduza o tampão na tampa e fixe-o rodando no sentido dos ponteiros do relógio.
- Retire o tampão para utilizar o acessório de compactação ou adicionar ingredientes.

4 Acessório de compactação: A utilização do acessório de compactação mantém a circulação, evitando a formação de bolsas de ar durante a mistura.

5 Tampa de duas peças: (tampa e tampão)
Para fixar a tampa no lugar: A tampa tem de estar sempre fixa durante o processamento, especialmente para líquidos quentes que possam queimar. **Nunca utilize a misturadora sem a tampa estar devidamente bloqueada.** A tampa tem um aro contínuo que encaixa nas patilhas do recipiente. Prima um lado do aro para baixo de uma patilha e prima a patilha oposta para encaixar a tampa na devida posição.

Para retirar a tampa: Coloque as mãos à volta do aro, premindo com os polegares acima de uma das patilhas do recipiente. Prima e levante.

Para retirar o tampão da tampa: Rode o tampão da tampa no sentido dos ponteiros do relógio da posição "bloqueada" para a posição "desbloqueada" e levante-o.

6 Cabo de alimentação: O cabo de alimentação da misturadora está equipado com uma ficha de três pinos (terra) que se liga a uma tomada de três pinos padrão. O cabo é diferente para os países que não os Estados Unidos da América.

Estão disponíveis adaptadores para as tomadas de dois pinos. Não corte ou retire o terceiro pino (terra) da ficha ou do cabo de alimentação. Consulte um electricista se não tiver a certeza de que a tomada está ligada à terra através das ligações do edifício. Com uma tomada de dois pinos devidamente ligada à terra, ligue a máquina à terra fixando a patilha do adaptador à tomada através do parafuso no centro da mesma.

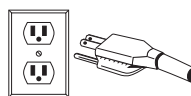
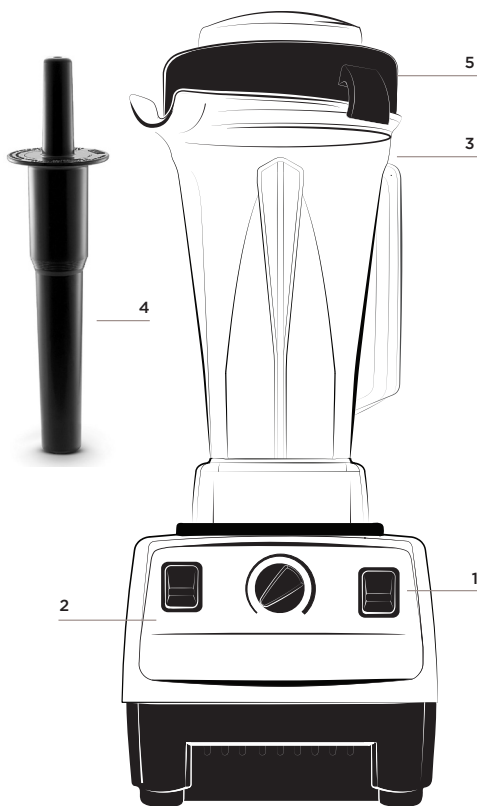


FIGURA A

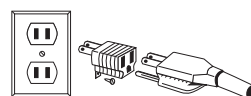
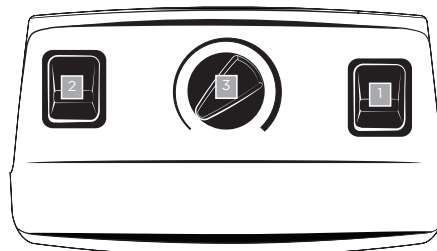


FIGURA B

PAINEL DE CONTROLO

- 1 Interruptor de Ligar/Desligar:** Empurre para cima para Ligar (I). Prima para Desligar (O).
- 2 Interruptor Elevada/Variável:** Elevada (Δ) é a velocidade mais rápida que se encontra disponível. Mude para Variável (∇) para ativar as velocidades variáveis. **Certifique-se sempre de que o interruptor Elevada/Variável está na posição Variável (∇) antes de levantar o interruptor de Ligar/Desligar para a posição de Ligar (I).** Não inicie a máquina na velocidade Elevada (Δ).
- 3 Controlo de Velocidade Variável:** Seleccione entre diversas configurações de velocidade. Apenas está ativo quando o interruptor Elevada/Variável está definido para a posição Variável (∇).



⚠ ATENÇÃO



As lâminas em rotação podem causar danos.

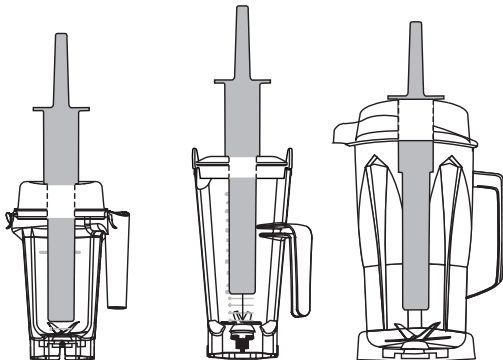
As tampas e os acessórios de compactação não podem ser utilizados entre recipientes de estilo, tipo e tamanhos diferentes. Utilize o acessório de compactação fornecido com a sua máquina.

Como determinar qual é o acessório de compactação que se pode utilizar no seu recipiente

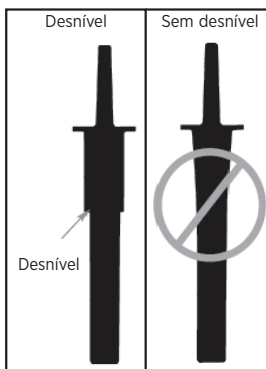
O acessório de compactação foi concebido para ser utilizado de forma segura e eficiente com os recipientes comerciais. **Se o seu recipiente for fornecido com um acessório de compactação, esse será o adequado ao recipiente.**

Para verificar que está a utilizar o acessório de compactação correto, coloque a tampa num recipiente vazio, retire o tampão da tampa e insira o acessório de compactação. O acessório de compactação deve encaixar facilmente na abertura da tampa, mas não entrar em contacto com as lâminas independentemente de como mover o acessório de compactação dentro do recipiente. **SE O ACESSÓRIO DE COMPACTAÇÃO TOCAR NAS LÂMINAS EM QUALQUER ÂNGULO, NÃO O UTILIZE COM O RECIPIENTE.**

Se não tiver o acessório de compactação correto para o seu recipiente, contacte o serviço de Apoio ao Cliente Vitamix nos EUA e no Canadá através do número 800-886-5235 ou envie um e-mail para commercial@vitamix.com. Fora dos EUA e do Canadá para o número +1.440.782.2450 ou para o e-mail international@vitamix.com. Se for necessária assistência técnica, envie um e-mail para: commercialts@vitamix.com.



Recipiente de 32 oz. Recipiente de 48 oz. Recipiente de 64 oz.



⚠ AVISO



As lâminas em rotação podem causar lesões graves.

NÃO coloque as mãos, espátulas, etc. no recipiente durante o funcionamento da máquina ou se o recipiente continuar na base.

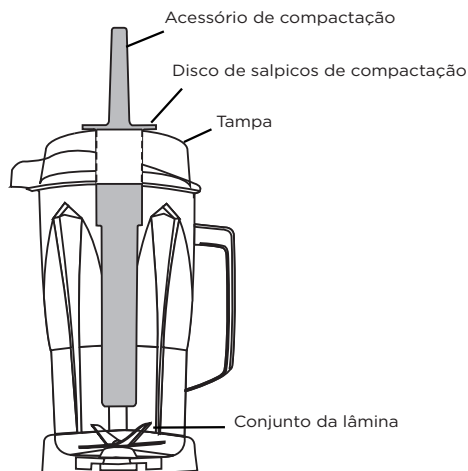
As tampas e os acessórios de compactação não podem ser utilizados entre recipientes de estilo, tipo e tamanhos diferentes. Utilize o acessório de compactação fornecido com a sua máquina.

Não tente forçar o acessório de compactação no recipiente de 32 oz. Não utilize um acessório de compactação sem um desnível em qualquer recipiente comercial Vitamix.



IMPORTANTE!

- O disco de salpicos (perto da parte de cima do acessório de compactação) e a tampa impedem que o acessório de compactação entre em contacto com as lâminas quando a tampa está devidamente fixa na posição de bloqueio.
- O recipiente não deve estar cheio a mais de dois terços quando o acessório de compactação for utilizado durante o processamento.
- Para impedir o sobreaquecimento durante o processamento, **NÃO** utilize o acessório de compactação durante mais de 30 segundos consecutivos.
- Se os alimentos não circularem, a máquina pode ter bolhas de ar retidas. Retire cuidadosamente o tampão da tampa certificando-se de que a tampa está firmemente encaixada no lugar. Liberte as bolhas de ar inserindo o acessório de compactação pela abertura do tampão da tampa.
- Mover o acessório de compactação diretamente para baixo pode prejudicar a circulação dos ingredientes. Se necessário, aponte o acessório de compactação em direção aos lados ou aos cantos do recipiente. **NÃO** tente forçar o acessório de compactação mais para baixo no recipiente.



AVISO

O tampão apenas deve ser removido para adicionar ingredientes e para utilizar o acessório de compactação.



Ligue sempre a misturadora com o botão de velocidade variável definido para 1 e o interruptor Elevada/Baixa na posição baixa. Nunca comece a velocidades acima de 1 ou com o interruptor Elevada/Baixa na posição elevada ao processar líquidos quentes para evitar possíveis queimaduras.

- **Processe na definição Alta (Δ) durante o tempo de processamento possível para fazer com ingredientes inteiros sumos, sopas, batidos, misturas congeladas, purés, manteigas vegetais e para moer grãos. De um modo geral, os tempos de processamento serão inferiores a um minuto (a maior parte demora menos de 30 segundos).**
- **DICA: O processamento durante demasiado tempo a uma velocidade demasiado baixa provoca o sobreaquecimento da máquina e faz com que a Proteção Automática de Sobrecarga desligue a máquina. O processamento na opção Elevada (Δ) utiliza a ventoinha de arrefecimento do motor para evitar o sobreaquecimento.**
- Na opção Elevada (Δ), se os alimentos não circularem, retire cuidadosamente o tampão da tampa certificando-se de que a tampa permanece firmemente no lugar. Liberte a mistura inserindo o acessório de compactação pela abertura do tampão da tampa. Se os problemas de circulação continuarem, reduza a velocidade da máquina. Uma velocidade inferior pode permitir que os alimentos circulem quando isso não é possível a velocidades superiores. Adicione líquido, se necessário. NÃO encha demasiado. Quando os alimentos estiverem a circular livremente, aumente a velocidade para a opção Elevada (Δ) e continue a processar.
- Quando fizer manteigas vegetais ou alimentos à base de óleo, não processe durante mais de um minuto após a mistura começar a circular no recipiente. O processamento durante períodos mais longos pode causar danos ao recipiente e sobreaquecimento do motor.
- **Proteção automática contra sobrecarga:** O seu motor Vitamix está concebido para se autoprotger do sobreaquecimento. Se o motor desligar, desligue a alimentação até 45 minutos para reiniciar.

1. Certifique-se de que o botão de velocidade variável está definido para 1.
2. Encha o recipiente antes de o colocar na base do motor. No recipiente, introduza líquidos e alimentos moles antes dos sólidos e do gelo.
3. Fixe devidamente a tampa de duas peças. Utilize sempre a tampa completa de duas peças durante as misturas (exceto quando o acessório de compactação estiver introduzido na abertura da tampa). Ao misturar ingredientes quentes, certifique-se de que a tampa está devidamente fechada.
4. Com o motor desligado, coloque o recipiente para ingredientes líquidos na base do motor, alinhando-o no encaixe centralizador. Não tente colocar um recipiente numa base de motor em funcionamento nem ligar a base do motor sem um recipiente adequado colocado.
5. Comece com o interruptor Elevada/Variável na posição Variável (Δ). Inicie sempre a máquina na velocidade variável 1. Ative a máquina rodando o Interruptor On/Off para On (I) e, em seguida, aumente lentamente até à velocidade pretendida. O recipiente assume uma posição alinhada.
6. **Tenha cuidado ao manusear e processar ingredientes, sopas e molhos quentes.**
7. Graças à velocidade da máquina, a duração do processamento é muito mais rápida do que os aparelhos convencionais.
8. Após desligar a máquina, espere até que as lâminas parem totalmente antes de remover a tampa ou o recipiente da base do motor.

AVISO**Perigo de choque elétrico.**

Desligue da corrente antes de limpar a máquina.

O não cumprimento destas instruções pode causar morte ou choque elétrico.

**Limpeza normal:**

1. Encha metade do recipiente com água quente e adicione umas gotas de detergente líquido de lavar loiça. Coloque a tampa completa de 2 peças na posição de bloqueio.
2. Selecione a Velocidade Variável 1. Ligue a máquina e aumente lentamente a velocidade para a velocidade variável 10 e, em seguida, para Elevada. Deixe a máquina a funcionar à velocidade Elevada durante 30 a 60 segundos.
3. Desligue a máquina. Enxague e drene o recipiente.

Para desinfetar:

1. Siga as instruções de limpeza normal acima.
2. Encha o recipiente até meio com água e 1-1/2 colheres de chá de lixívia. Coloque a tampa completa de 2 peças na posição de bloqueio.
3. Selecione a Velocidade Variável 1. Ligue a máquina e aumente lentamente a velocidade para a velocidade variável 10 e, em seguida, para Elevada. Deixe a máquina a funcionar à velocidade Elevada durante 30 a 60 segundos.
4. Desligue a máquina e deixe a mistura repousar dentro do recipiente durante mais 1-12 minutos.
5. Retire a mistura de lixívia. Deixe o recipiente secar ao ar. Não enxague depois de desinfetar.

Tampa, tampão e acessório de compactação

Separe a tampa e o tampão. Lave as peças com água morna e sabão. Enxague debaixo de água corrente e seque. Volte a encaixá-lo antes de usar.

Base do motor:

1. Desligue o cabo de alimentação.
2. Lave a superfície exterior com uma esponja ou um pano suave húmido, que tenha sido molhado numa solução suave de detergente líquido e água quente. Não coloque a base do motor em água.
3. O encaixe centralizante pode ser retirado para uma limpeza mais eficaz.
4. Limpe bem os interruptores para que funcionem livremente. Podem ficar pegajosos e deixar de funcionar corretamente. Humedeça um cotonete com um desengordurante ou um detergente de limpeza e limpe as ranhuras em redor dos interruptores. Seque imediatamente todas as superfícies.
5. Limpe com um pano macio.

ESPECIFICAÇÕES

Volts:	120 V CA	Watts:	900 (2+ pico cv*)
Amperes:	11,5 (2+ pico cv*)	Watts:	975 (3+ pico cv*)
	12,5 (3+ pico cv*)	Hertz:	50/60
Hertz:	50/60		
Volts:	220-240 V CA	Volts:	120 V CA EMC (Taiwan)
Watts:	750-850 (2+ pico cv*)	Amperes:	11,5 (2+ pico cv*)
Watts:	1100-1200 (3+ pico cv*)	Hertz:	60
Hertz:	50/60		
Volts:	100 V CA (Japão)		

*varia com a voltagem

أجهزة VITA-PREP® 3 و VITA-PREP® الطرازات VM0103D و VM0101D

الطرازات VM0103D و VM0101D

الأقسام

1.....	اللغة الإنجليزية.....
7.....	اللغة الألمانية.....
13.....	اللغة السويدية.....
19.....	اللغة الفرنسية.....
25.....	اللغة الروسية.....
31.....	اللغة الإسبانية.....
37.....	اللغة الإيطالية.....
43.....	اللغة البرتغالية.....
49.....	اللغة العربية.....

الرموز

تنبيه	تحذير
يرجى تشغيل الجهاز مع وجود الغطاء وسدادة الغطاء في مكانهما	لا تلمس الأجزاء المتحركة على الإطلاق. لا تضع يديك أو أدوات المطبخ في الوعاء
يرجى قراءة دليل المالك وفهمه	خطر التعرض للصعق بالكهرباء
لا يجب غمر الجهاز في السوائل	درجة حرارة عالية عند خلط السوائل الساخنة
On/Off (التشغيل / إيقاف التشغيل)	لا تقم بإدخال أشياء في الوعاء أثناء استخدام الخلاط
افصل الجهاز عن مصدر الطاقة عند عدم الاستخدام أو قبل التنظيف أو عند تغيير الملحقات أو عند لمس الأجزاء التي تتحرك أثناء استخدام الخلاط	

معلومات إعادة التدوير



لقد تم تزويد هذا المنتج من جهة تصنيع مسؤولة بيئيًا. يمكن أن يحتوي هذا المنتج على مواد يمكن أن تكون ضارة للبيئة إذا تم التخلص منها في أماكن (مطامر نفايات) غير مناسبة وفقًا للتشريعات. تم وضع رمز "الحاوية المشطوبة عليها" على هذا المنتج لتشجيعك على إعادة تدويره متى أمكن. الرجاء التحلي بالمسؤولية تجاه البيئة وإعادة تدوير هذا المنتج من خلال منشأة إعادة تدوير المنتجات المتاحة لديك بعد انتهاء عمره الإنتاجي.

Vita-Mix Corporation Commercial Division

.Usher Road, Cleveland, Ohio 44138 U.S.A 8615

الهاتف (الولايات المتحدة وكندا): 1.800.437.4654

الهاتف (الدول الأخرى): 1.440.782.2450

الخدمة الفنية: 1.800.886.5235

البريد الإلكتروني: commercial@vitamix.com

commercialts@vitamix.com

للاطلاع على المجموعة الكاملة من منتجات Vitamix،

يرجى التفضل بزيارة vitamix.com.

تحذير ⚠



لتجنب التعرض للإصابة.
يرجى قراءة دليل الإرشادات وفهمه قبل استخدام هذا الجهاز. ينبغي اتباع احتياطات السلامة الأساسية، بما يتضمن التالي.



تحذير ⚠

خطر التعرض للصعق بالكهرباء.

لا تستخدم إلا المآخذ المؤرض.
لا تقم بإزالة الطرف الأرضي.
يجب ألا يتم استخدام محول.
يجب ألا يتم استخدام كابل إطالة.
قد يؤدي عدم اتباع الإرشادات إلى التعرض للوفاة أو الصعق بالكهرباء.



- قم بقراءة كل التعليمات ووسائل الحماية والتحذيرات قبل تشغيل الخلاط.
1. يرجى قراءة جميع الإرشادات.
 2. من الضروري وجود المراقبة الكاملة عند استخدام أي جهاز بواسطة أو بالقرب من الأطفال أو الأشخاص العاجزين.
 3. هذا الخلاط غير مخصص للاستخدام بواسطة الأشخاص ذوي القدرات الجسدية، أو الحسية، أو الذهنية المحدودة، أو الأشخاص الذين تتقصم الخبرة والمعرفة، وذلك ما لم يتم الإشراف عليهم أو توجيههم فيما يتعلق باستخدام الجهاز من قبل شخص مسؤول عن سلامتهم.
 4. لا يجب وضع قاعدة الخلاط في المياه أو أي سائل آخر لتجنب خطر التعرض للصعق بالكهرباء.
 5. افصل الجهاز عن مأخذ الطاقة عندما لا يتم استخدامه، وقيل تركيب أو إزالة الأجزاء، وقيل التنظيف.
 6. تجنب لمس الأجزاء المتحركة.
 7. لا يجب تشغيل أي جهاز ذي كابل أو قابس تالف، أو بعد تعطل الجهاز أو سقوطه أو تضرره بأي طريقة كانت. اتصل بالتاجر أو الموزع الذي تتعامل معه على الفور لإجراء العنصر أو الإصلاح أو الاستبدال أو التعديل الكهربائي أو الميكانيكي.
 8. يمكن أن يؤدي تغيير أو تعديل أي جزء أو مكون من مجموعة الخلاط، بما في ذلك استخدام أي أجزاء أو مكونات أو ملحقات غير أصلية أو معتمدة من خلال Vitamix، إلى نشوب حريق أو التعرض للصعق بالكهرباء أو للإصابة.
 9. يمكن أن يؤدي استخدام الملحقات غير المعتمدة صراحةً من قبل Vitamix أو التي لا يتم بيعها بمعرفتها لغرض الاستخدام من هذا الخلاط، بما في ذلك برطمانات حفظ الأغذية، إلى نشوب حريق أو التعرض للصعق بالكهرباء أو للإصابة.
 10. إذا كان الجهاز الخاص بك مزودًا بوظيفة سرعات متغيرة، فقد دائمًا بالبدء على إعداد السرعة الأقل.
 11. لا تستخدم الجهاز لأغراض بخلاف الاستخدامات المصمم لأجلها.
 12. الحد الأقصى للسعة الطبيعية يساوي عدد الأونصات (الترات) المسجلة على الوعاء، أي 64 أونصة / 2,0 لتر، أو 48 أونصة / 1,4 لتر، وتكون تلك السعة أقل بكثير مع الخلاطات السميكة.
 13. يجب ألا يتم استخدام الجهاز في الأماكن المفتوحة.
 14. لا تترك الكابل يتدلى من حافة الطاولة أو سطح العمل أو يلامس الأسطح الساخنة، بما في ذلك الصفيحة.
 15. يرجى الحفاظ على اليدين وأدوات المطبخ خارج الوعاء أثناء الخلط لتقليل احتمال تعرض الأشخاص للإصابة الخطيرة أو تلف الخلاط. يمكن استخدام المدك أثناء الخلط في الوعاء. يمكن استخدام مكشطة مطاطية أو سكين فرد عجين مطاطي لكن فقط عند عدم تشغيل الخلاط. لا تترك المدك أو المكشطة أو أي أدوات مطبخ أخرى في الوعاء سواء أثناء تشغيل الموتور أو أثناء توقفه عن العمل.
 16. الشفرات حادة. عند تنظيف الوعاء، توخ الحذر لتجنب التعرض للإصابة.
 17. للحد من خطر التعرض للإصابة، لا يجب وضع مجموعة الشفرات على قاعدة الموتور ما لم تكون موضوعة في وعاء.
- 18.** لا تترك الأشياء الغريبة، مثل الملاعق أو الشوكات أو السكاكين أو سداة الغطاء، في الوعاء، حيث إن ذلك يؤدي إلى إتلاف الشفرات وغير ذلك من المكونات عند بدء تشغيل الجهاز، كما أنها يمكن أن تتسبب في حدوث الإصابات.
- 19.** لا تحاول تشغيل الخلاط إذا كانت الشفرات تالفة.
- 20.** يجب أن يكون الغطاء وسداة الغطاء في مكانهما بإحكام أثناء الخلط. لا ينبغي إزالة سداة الغطاء إلا عند إضافة المكونات وعند استخدام المدك.
- 21.** عند تحضير زبد المكسرات أو الأطعمة القائمة على الزيوت، لا يجب الاستمرار في الخلط لأكثر من دقيقة واحدة بعد بدء دوران الخليط في الوعاء. يمكن أن تسبب المعالجة لفترات طويلة ارتفاع درجة حرارة الجهاز بشكل مفرط وخطير.
- 22.** تحذير: عند معالجة السوائل الساخنة:
- يجب أن يكون غطاء التثبيت المكون من جزأين مركبًا بشكل محكم في مكانه. فمن شأن ذلك أن يسمح بتسريب البخار بشكل طبيعي، كما يمنع خلع الغطاء عند تشغيل الجهاز.
 - لا تبدأ في معالجة السوائل الساخنة على السرعة المرتفعة. دائمًا ابدأ معالجة السوائل الساخنة على السرعة المنخفضة، ثم انتقل إلى السرعة المرتفعة أثناء تشغيل الجهاز.
 - توخ الحذر أثناء التعامل مع السوائل الساخنة. يمكن أن يصدر رذاذ من السوائل من تحت سداة الغطاء أو يمكن أن يسبب البخار المتسرب التعرض للحروق.
 - لا تقم بمعالجة المكونات الساخنة أثناء استخدام غطاء Vitamix الذي لا يتم تثبيته.
- يرجى الاحتفاظ بهذه الإرشادات
- ملاحظات هامة!**
- لا يمكن أن تغطي الإرشادات التي تظهر في دليل الاستخدام والعناية هذا كل الظروف والمواقف المحتملة التي يمكن أن تحدث. فيجب الاعتماد على الحس العام وتوخي الحذر عند تشغيل وصيانة أي جهاز.
- إرشادات مهمة للاستخدام الآمن**
- لا تترك خلاط Vitamix الخاص بك بدون متابعة أثناء تشغيله.
- يجب أن يتم إجراء أي عمليات إصلاح أو صيانة أو استبدال للأجزاء من خلال شركة Vitamix أو من خلال ممثل خدمة معتمد.
- إخطار:** ن عدم اتباع أي من وسائل الحماية المهمة والإرشادات المهمة للاستخدام الآمن يُعد بمثابة سوء استخدام لخلاط VITAMIX، الأمر الذي قد يُبطل الضمان ويؤدي إلى احتمال التعرض لإصابة خطيرة.

صيانة خلاط "Vitamix" الخاص بك

لزيادة العمر الافتراضي لمنتج® Vitamix لديك والمحافظة عليه في حالة عمل جيدة، من الأهيمية بمكان مراعاة بعض تعليمات الصيانة البسيطة:

1. افحص مقياس المحرك بشكل دوري للوقوف على البلى والتمزق الواضح أو التشقق أو الكسور المقيس. وفي حالة العثور على تلف، استبدل مقياس المحرك بمقياس محرك إصناعي مرفق بالخلاط لديك. لشراء مقياس محركات بديلة إضافية، اتصل بشركة Vita-Mix® Corporation (المشار إليها فيما بعد باسم "Vitamix") على الرقم 1-800-437-4654. وبالنسبة للمعامل خارج الولايات المتحدة الأمريكية، اتصل بموزع Vitamix المعتمد الذي تتعامل معه أو اتصل بقسم Vitamix الدولي على الرقم 1.440.782.2450+ أو أرسل بريدًا إلكترونيًا إلى commercial@vitamix.com (الولايات المتحدة وكندا) أو international@vitamix.com (خارج الولايات المتحدة وكندا) للحصول على المساعدة.
2. قم بإدارة مجموعة حمل الشفرات يدويًا للتحقق من أنها تدور بدون اهتزاز أو لا تدور بشكل فيه حرية كبيرة. في حالة دوران الشفرة بحرية كبيرة، اتصل بـ Vitamix للتعرف على معلومات الضمان أو أقرب بائع منك.
3. لا تقم بتشغيل الجهاز دون وضع وسادة التوسيط بطريقة صحيحة على القاعدة ولا تقم مطلقًا بإزالة الوعاء من القاعدة قبل توقف الشفرات عن الحركة.

الضمان المحدود - (ما لم يظهله العقد بطريقة أو بأخرى)

تضمن Vita-Mix® Corporation (المشار إليها فيما بعد باسم "Vitamix") للمستخدم النهائي الأصلي (المشار إليه باسم "المشتري") أن خلطات Vitamix التجارية الخاصة به (التي تتألف من قاعدة موتور ووعاء وغطاء، والتي يشار إليها مجتمعة باسم "الأجهزة") ستكون خالية من العيوب من المواد والتصنيع لفترات الضمان التي تنطبق على الأجهزة كما هو موصوف في هذا المستند ووفقًا للشروط المنصوص عليها أدناه. إتياب الشراء مطلوب.

الأشياء التالية هي التبعيضات الوحيدة للمشتري وهي توضح التزامات الضمان الوحيدة لشركة Vitamix. لا يصرح لأي موظف في Vitamix أو أي شخص آخر بتقديم أي ضمان بالإضافة إلى الضمانات التالية أو ملحقاتها.

الأشياء التي يغطيها الضمان

- أ. ضمان قاعدة الموتور (التي تتضمن لوحة التحكم ووسادة اللبس) تضمن Vitamix للمستخدم النهائي الأصلي أنه:
 - إذا تعطلت قاعدة المحرك نتيجة لعيوب في المواد أو الصناعة خلال ثلاثين (30) يومًا من تاريخ الشراء، فعندئذ ستقوم Vitamix باستبدال قاعدة المحرك بقاعدة محرك جديدة.
 - إذا تعطلت قاعدة المحرك نتيجة لعيوب في المواد أو الصناعة بعد ثلاثين (30) يومًا من تاريخ الشراء ولكن خلال عام (1) واحد من تاريخ الشراء، فعندئذ ستحتل Vitamix تكلفة كل الأجزاء والعمالة الضرورية لإصلاح قاعدة المحرك.
 - إذا تعطلت قاعدة المحرك نتيجة لعيوب في المواد أو الصناعة بعد عام أو لكان في نطاق ثلاثة (3) أعوام من تاريخ الشراء، فعندئذ ستحتل Vitamix تكلفة كل الأجزاء الضرورية لإصلاح قاعدة المحرك.

ب. ضمان الوعاء والغطاء وسادة الغطاء ووسادة التوسيط ومجموعة الشفرات ومقياس المحرك وحاوية الصوت (إذا كانت مرفقة). تضمن Vitamix للمستخدم النهائي الأصلي أنه في حالة تعطل حاوية صوت أو حاوية أو غطاء أو مجموعة شفرات أو مقياس محرك نتيجة لعيوب في المواد أو الصناعة خلال عام واحد (1) من تاريخ الشراء، فإن Vitamix ستحتل تكلفة كل الأجزاء والعمالة الضرورية لإصلاح المكونات.

يتمثل الالتزام الوحيد لشركة Vitamix بموجب هذه الضمانات في إصلاح الجزء أو الأجزاء الخاضعة للضمان أو استبدالها كما هو محدد بشكل حصري من قبل Vitamix.

لن تتحمل Vitamix بأي حال من الأحوال، سواء أكان يقوم ذلك على العقد أو التعويض أو الضمان أو الضرر (بما في ذلك الإهمال) أو المسؤولية الصارمة أو بآية طريقة أخرى، أية مسؤولية عن أي تلفيات خاصة أو غير مباشرة أو عرضية أو تبعية أيًا كان نوعها، بما في ذلك على سبيل المثال لا الحصر، فقد الأرباح أو الإيرادات. الضمان المحدود أعلاه هو الوسيلة الحصريه لك وتختلي، أنت وVITAMIX، بموجبه صراحة عن جميع الضمانات والشروط الأخرى، صريحة أو ضمنية، قانونية أو غير ذلك، بما في ذلك أي ضمان ضمني عن القابلية للتسويق وأي ضمان ضمني عن الملائمة لغرض معين وبدون تفيد عومية ما تقدم، تستنتي أنت وVITAMIX صراحة، إلى الحد الذي يسمح به القانون، تطبيق أي بيع لتشريع البضائع واتفاقية الأمم المتحدة المتعلقة بال عقود للبيع الدولي للبضائع، وفقًا لما ينطبق.

لا تسمح بعض السلطات القانونية بوجود قيود على الضمانات الضمنية أو على التلقيات الخاصة أو العرضية أو التبعية.

ما لا يشمل الضمان (استثناءات التغطية)

لا تشمل هذه الضمانات الإصلاحات اللازمة للأسباب التالية:

- أ. التلف والبيبي العادي؛
- ب. سوء الاستخدام والاستخدام بإهمال؛
- ج. تغيير المعدات بما في ذلك على سبيل المثال لا الحصر قاعدة المحرك أو الحاوية أو الغطاء أو حاوية الصوت؛
- د. التعرض لظروف قاسية؛ أو
- هـ. التركيب غير الصحيح للأجهزة، بما في ذلك على سبيل المثال لا الحصر، رداة التصنيع و / أو عدم اتباع المواصفات المرفقة و / أو التهورية غير الكافية لطرزات وحدة الخلط التي يتم تركيبها "في طاوله".

وقت تطبيق الضمانات (شروط التغطية)

تسري الضمانات الواردة في هذه الوثيقة فقط على المستخدم النهائي الأصلي وهي غير قابلة للتحويل. للمطالبة بضممان، يلزم توفير إثبات الشراء.

أي ضمان توفره Vitamix يسري فقط إذا تم الاستخدام وفقًا لما يلي: (أ) دليل المستخدم الذي يمكن الوصول إليه كذلك عبر موقع www.vitamix.com (وب) الضمان الصريح (و ج) أي تعليمات صيانة، وكل تلك التعليمات، بغض النظر عن وقت توفيرها.

الأشياء التي تتسبب في بطلان الضمان

يتم إبطال جميع ضمانات المنتج في الحالات التالية:

- إذا تم وضع الخلاط في حاوية صوت ليست من صنع Vitamix.
- إذا تم تعديل أي مكون أو جزء بقطعة خاضعة للتغطية من الأجهزة أو تغييره أو "تجديده" أو إصلاحه بواسطة أشخاص بخلاف Vitamix أو أحد مراكز خدمة Vitamix المعتمدة أو أحد موزعي Vitamix المعتمدين.
- إذا تم استخدام أي مكون من Vitamix خاضع للتغطية مع مكون لم يتم اعتماده صراحةً كتابيًا بواسطة Vitamix (أي استخدام وعاء Vitamix مع قاعدة موتور ليست من إنتاج Vitamix و / أو استخدام قاعدة موتور Vitamix مع وعاء ليس من إنتاج Vitamix)؛ أو
- إذا لم يتم تركيب أي جزء من الخلاط بشكل غير صحيح، بما في ذلك على سبيل المثال لا الحصر رداة التصنيع و / أو عدم اتباع المواصفات المرفقة و / أو التهورية غير الكافية لطرزات التي يتم تركيبها "في الطولة".

كيفية الحصول على تغطية الضمان والإصلاح

من يتم الاتصال به لخدمة الضمان والإصلاح. في حالة احتياج خلاط Vitamix لديك إلى خدمة أو إصلاح تمت تغطيته وفقًا لشروط هذا الضمان، يرجى الاتصال بشركة Vita-Mix Corporation أو أي مركز خدمة معتمد أو موزع محلي للحصول على مساعدة بشأن الضمان.

بالنسبة للأجهزة التي يتم شراؤها في الولايات المتحدة وكندا والموجودة بهما، اتصل بخدمة العملاء التجارية في شركة Vitamix على الرقم: 800-437-4654.

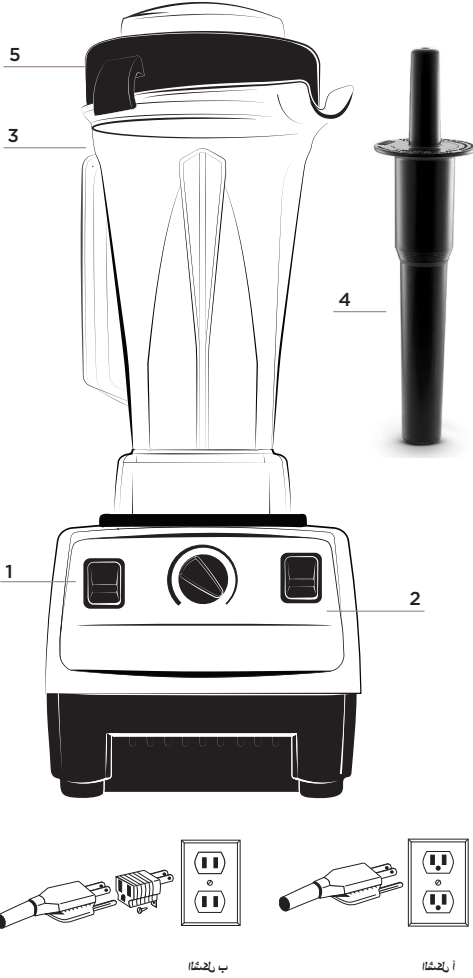
في حالة شراء الجهاز خارج نطاق الولايات المتحدة الأمريكية القارية، اتصل بموزع Vita-Mix المعتمد الذي تتعامل معه أو اتصل بقسم Vita-Mix الدولي على الرقم 1.440.782.2450+ أو أرسل بريدًا إلكترونيًا إلى international@vitamix.com للتعرف على أقرب موزع منك.

سيطلب منك تقديم إثبات الشراء للمعدات. وإذا تعذر على فريق الدعم الفني عن بُعد إصلاح المعدات من بُعد، فإن المعدات ستحتاج إلى الصيانة. سيساعدك الفريق إما في تحديد موقع مركز خدمة معتمد أو الترتيب لشحن المعدات مرة أخرى إلى Vitamix.

كيفية شحن الأجهزة إلى شركة Vitamix لأغراض الخدمة

- أ. احصل على رقم تحويل الإرجاع قبل الشحن. لا تقم بإرجاع المعدات أو إرسالها دون موافقة من Vitamix. ولن تكون Vitamix تحت أي ظروف مسؤولة عن تكلفة أية عمليات إصلاح غير معتمدة. يجب أن يكون لجميع عمليات إرجاع الأجهزة رقم تحويل الإرجاع ("RA") المسجل بوضوح على الجزء الخارجي من العبوة. وسيتم إرجاع أي أجهزة يتم إرسالها إلى Vitamix دون تصريح مسبق أو موافقة مسبقة على عنوان جهة الشحن "كما هي" دون إصلاح.

ب. قم بتعبئة العناصر المرتجعة بطريقة صحيحة. يجب أن يتم إرسال أي عنصر تم إرساله إلى Vitamix في عبوة أصلية أو كافية.



1 **مفتاح On/Off (التشغيل / إيقاف التشغيل):** ادفعه إلى أعلى للتشغيل (I). ادفعه إلى أسفل لإيقاف التشغيل (O).

2 **لوحة التحكم:** للحصول على المزيد من المعلومات، ارجع إلى لوحة التحكم.

تنبيه: لا يمكن تبديل الأغذية والمكاتب بين أنماط وأنواع ومقاسات الحاويات المختلفة.

3 **الوعاء سعة 64 أونصة المزود بغطاء مكون من جزأين:**

- دائماً استخدم الغطاء وسدادة الغطاء أثناء تشغيل الجهاز.
- لا تقم مطلقاً بتشغيل الخلاط بدون تثبيت الغطاء بإحكام في مكانه.
- الأونصات والمليمترات والأكواب مميزة بشكل واضح.
- ضع سدادة الغطاء عبر الغطاء وقم بتثبيتها من خلال إدارتها في نفس اتجاه حركة عقارب الساعة.
- قم بإزالة سدادة الغطاء لاستخدام المدك أو لإضافة المكونات.

4 **المدك:** يساعد استخدام المدك على الحفاظ على التوزيع من خلال منع تكون الحبوب الهوائية.

5 **الغطاء المكون من جزأين: (الغطاء وسدادة الغطاء)**

لتثبيت الغطاء في مكانه: يجب أن يتم، بصفة دائمة، تثبيت الغطاء أثناء المعالجة، خصوصاً عند معالجة السوائل الساخنة التي يمكن أن تؤدي إلى التسبب في الحروق. لا تقم مطلقاً بتشغيل الخلاط بدون تثبيت الغطاء بإحكام في مكانه. والغطاء يحتوي على حافة مستمرة يتم تثبيتها داخل أسنة الوعاء. ادفع أحد جوانب الحافة تحت أحد الأسنة وادفع اللسان المقابل لأسفل لتثبيت الغطاء في مكانه.

لإزالة الغطاء: ضع يدك حول الغطاء، مع الضغط بالإبهام على أحد أسنة الوعاء. اضغط وارفع لأعلى.

لإزالة سدادة الغطاء: قم بتدوير سدادة الغطاء عكس اتجاه حركة عقارب الساعة من موضع "الإغلاق" إلى موضع "الفتح" ثم ارفعها.

6 **سلك الطاقة:** يأتي سلك الطاقة الخاص بالخلاط بحيث يكون مزوداً بقياس ثلاثي السنون (للتأريض) يتناسب مع مأخذ جداري للسنون الثلاثة. ويختلف هذا السلك عن الأسلاك الأخرى المخصصة للدول الأخرى بخلاف الولايات المتحدة الأمريكية.

تتاح المحولات للمأخذ المستخدمة مع السنين. لا تقم بقص أو إزالة السن الثالث (الأرضي) من القابس أو سلك الطاقة. استشر الفني إذا لم تكن متيقناً مما إذا كان المأخذ الجداري لديك مورداً أم لا عبر أسلاك المبنى. عند استخدام مأخذ جداري ثنائي السنون ومورداً بشكل جيد، قم بتأريض الجهاز بالشكل الصحيح من خلال توصيل اللسان الموجود في المحول بغطاء المأخذ الجداري من خلال البرغي الموجود في وسط الغطاء.

لوحة التحكم



1 **مفتاح On/Off (التشغيل / إيقاف التشغيل):** ادفعه إلى أعلى للتشغيل (I). ادفعه إلى أسفل لإيقاف التشغيل (O).

2 **مفتاح High/Variable (السرعة العالية / المتغيرة):** السرعة العالية (High) هي أعلى سرعة متاحة. يرجى التبديل إلى السرعة المتغيرة (Variable) (Δ) لتفعيل السرعات المتغيرة. يرجى الحرص دائماً على ضبط مفتاح Variable (السرعة العالية / المتغيرة) على السرعة المتغيرة (Variable) (Δ).
مفتاح On/Off (التشغيل / إيقاف التشغيل) إلى موضع التشغيل (I). لا يجب بدء تشغيل الجهاز على السرعة العالية (Δ).

3 **قرص السرعة المتغيرة:** للتحديد من بين إعدادات السرعة المتعددة. يكون فعالاً فقط عند ضبط مفتاح High/Variable (السرعة العالية / المتغيرة) على موضع السرعة المتغيرة (Variable) (Δ).

تحذير



قد تؤدي الشفرات الدوارة إلى التعرض للإصابة الخطيرة.
لا يجب وضع اليدين، أو سكاكين فرد العجين، إلخ في الوعاء أثناء تشغيل الجهاز أو بينما لا يزال الوعاء على القاعدة.
لا يمكن تبديل الأغشية والمدكات بين الأنماط، والأنواع، والأحجام المختلفة للأوعية. يرجى استخدام المدك المرفق مع جهازك.
لا يجب محاولة دفع المدك بقوة في الوعاء سعة 32 أونصة.
لا تستخدم المدك غير المدرج في أي وعاء من الأوعية التي تنتجها شركة Vitamix.



تنبيه

يمكن أن تتسبب الشفرات الدوارة في حدوث تلف. لا يمكن تبديل الأغشية والمدكات بين الأنماط، والأنواع، والأحجام المختلفة للأوعية. يرجى استخدام المدك المرفق مع جهازك.



كيف يتم تحديد المدك الذي يمكن استخدامه مع الوعاء الخاص بك

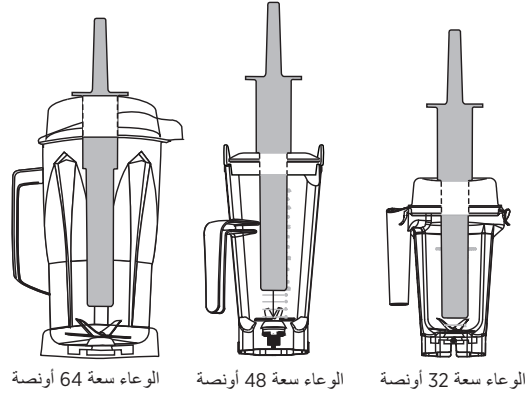
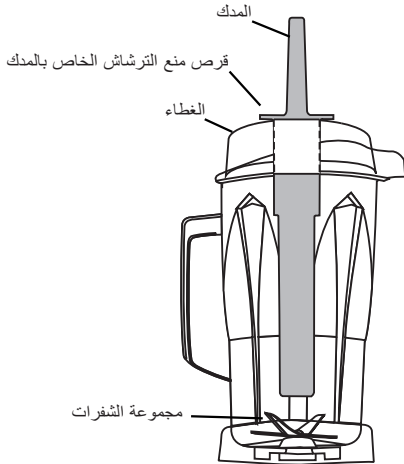
يتم تصميم المدك لكي يتم استخدامه بشكل آمن وفعال مع الأوعية التجارية. إذا كان الوعاء مزوّدًا بمدك، فإن هذا المدك هو الملائم للاستخدام معه.

للتحقق من أنك تستخدم المدك الصحيح، ضع الغطاء على وعاء فارغ، وقم بإزالة سداة الغطاء وأدخل المدك. يجب أن يتناسب المدك بكل سهولة مع فتحة الغطاء وألا يلامس الشفرات مهما قمت بتحريك المدك داخل الوعاء. إذا كان المدك يلامس الشفرات بأي زاوية، فلا تستخدم ذلك المدك مع الوعاء الخاص بك.

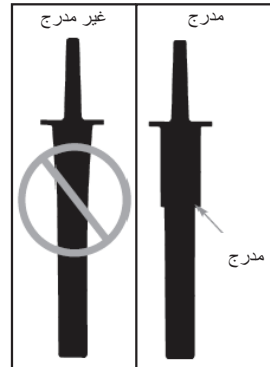
إذا لم يكن لديك المدك الصحيح للوعاء الخاص بك، فاتصل بخدمة عملاء Vitamix في الولايات المتحدة وكندا على الرقم 800-886-5235 أو قم بمراسلتها عبر البريد الإلكتروني commercial@vitamix.com. إذا كنت خارج الولايات المتحدة وكندا، يمكنك استخدام الهاتف +1.440.782.2450 أو البريد الإلكتروني international@vitamix.com. إذا لزم الحصول على المساعدة الفنية، فقم بالمراسلة عبر البريد الإلكتروني: commercialts@vitamix.com.

مهم!

- يحول قرص منع الترشاش (بالقرب من قمة المدك) والغطاء دون اصطدام المدك بالشفرات عندما يكون الغطاء ثابتًا بشكل سليم في موضع القفل.
- ينبغي ألا يكون الوعاء ممتلئًا بكمية أكثر من ثلثيه عند استخدام المدك أثناء الخلط.
- لتجنب سخونة الزائدة أثناء الخلط، لا يجب استخدام المدك لأكثر من 30 ثانية متتالية.
- إذا لم يتم تدوير الطعام، يمكن أن يكون السبب في ذلك احتجاز فقاعة هوائية بالجهاز. قم بإزالة سداة الغطاء بعناية مع التأكد من بقاء الغطاء في مكانه بإحكام. يرجى تحرير فقاعة الهواء بإدخال المدك عبر فتحة سداة الغطاء.
- قد لا يساعد الإمساك بالمدك بشكل مستقيم أسفل في دوران المكونات. إذا لزم الأمر، يرجى توجيه المدك ناحية جوانب الوعاء أو أركانه. لا يجب محاولة دفع المدك بقوة لمسافة أعمق في الوعاء.



الوعاء سعة 64 أونصة الوعاء سعة 48 أونصة الوعاء سعة 32 أونصة



تحذير



لا ينبغي إزالة سداة الغطاء إلا عند إضافة المكونات وعند استخدام المدك.

يرجى الحرص دائماً على بدء تشغيل الخلاط ومفتاح السرعة المتغيرة الدوار مضبوطاً على 1 مع وجود مفتاح السرعة العالية / المنخفضة في الموضع المنخفض. لا يجب مطلقاً بدء تشغيل الجهاز على سرعات أعلى من 1 أو مع وجود مفتاح High/Low (السرعة العالية / المنخفضة) في وضع السرعة العالية عند خلط السوائل الساخنة لتجنب احتمال التعرض لحروق.



- قم بمعالجة المكونات على الإعداد High (المرتفع) (Δ) لأكثر وقت ممكن أثناء المعالجة لعمل عصائر الأطعمة الكاملة والحساء والمخفوقات والخلاطات المجمدة والبيوريه وزيد المكسرات، بالإضافة إلى طحن الحبوب. تكون أوقات المعالجة، بصفة عامة، أقل من دقيقة واحدة (أغلبها يتطلب أقل من 30 ثانية).
- إرشاد: يؤدي الخطأ لفترات طويلة على سرعة منخفضة للغاية إلى التسبب في ارتفاع درجة حرارة الجهاز بشكل مفرط كما يؤدي إلى قيام الحماية التلقائية ضد الحمل الزائد بإيقاف تشغيل الجهاز. يؤدي الخطأ على الإعداد High (المرتفع) (Δ) إلى استخدام مروحة التبريد المتاحة في الموتور لتجنب ارتفاع درجة الحرارة.
- أثناء استخدام الإعداد High (المرتفع) (Δ)، وفي حالة عدم دوران الطعام، يرجى إزالة سداة الغطاء بعناية مع التأكد من بقاء الغطاء في مكانه بإحكام. قم بتحرير الخليط بإدخال المدك عبر فتحة سداة الغطاء. إذا استمرت مشكلات التدوير، فقم بتقليل سرعة الجهاز. يمكن أن تسمح السرعة المنخفضة للطعام بالتدوير عندما لا تسمح السرعة المرتفعة بذلك. قم بإضافة السوائل إذا لزم الأمر. لا يجب سكب السوائل بحيث تفيض من الجهاز. بمجرد دوران الطعام بحرية، قم بزيادة السرعة مرة أخرى إلى الإعداد High (مرتفع) (Δ) واستمر في المعالجة.
- عند تحضير زيد المكسرات أو الأطعمة القائمة على الزيوت، لا يجب الاستمرار في الخلط لأكثر من دقيقة واحدة بعد بدء دوران الخليط في الوعاء. قد يؤدي الخلط لفترات أطول إلى إتلاف الوعاء وسخونة الموتور بشكل زائد.
- الحماية التلقائية ضد الحمل الزائد: لقد تم تصميم موتور جهاز Vitamix الخاص بك لتوفير الحماية الذاتية لنفسه ضد ارتفاع درجات الحرارة بشكل مفرط. إذا توقف الموتور، فأوقف متتابع التشغيل لمدة تصل إلى 45 دقيقة لإعادة ضبط الجهاز.

1. تحقق من ضبط قرص Variable Speed (السرعة المتغيرة) على 1.
2. يرجى وضع المحتويات في الوعاء قبل وضعه على قاعدة الموتور. يرجى وضع السوائل والأطعمة اللينة في الوعاء أولاً، ثم الأشياء الصلبة، والتلج أخيراً.
3. يرجى تثبيت الغطاء ثنائي الأجزاء بإحكام. يرجى الحرص دائماً على استخدام الغطاء ثنائي الأجزاء عند الخلط (ما لم يتم إدخال المدك عبر فتحة سداة الغطاء). عند خلط المكونات الساخنة، تحقق من أن الغطاء مثبت بإحكام في مكانه.
4. بعد إيقاف تشغيل الموتور، قم بوضع وعاء الشفرات الرطبة على قاعدة الموتور من خلال محاذاته فوق وسادة التوسيط. ولا يجب محاولة وضع الوعاء على قاعدة الموتور وهو قيد التشغيل أو محاولة تشغيل قاعدة الموتور دون وضع الوعاء عليها بشكل سليم.
5. أبدأ العمل بحيث يكون مفتاح High/Variable (السرعة العالية / المتغيرة) في وضع السرعة Variable (المتغيرة) (Δ). قم دائماً بتشغيل الجهاز على السرعة المتغيرة 1. قم بتشغيل الجهاز من خلال إدارة مفتاح On/Off (التشغيل / إيقاف التشغيل) إلى وضع التشغيل (I)، ثم قم بزيادة السرعة ببطء للوصول إلى السرعة المرغوب فيها. يتحرك الوعاء لمحاذاة موضعه.
6. يرجى توخي الحذر الكافي عند التعامل مع المكونات الساخنة ومعالجتها، وكذلك عند تحضير الحساء والصلصات الساخنة.
7. بفضل سرعة الجهاز، تكون أوقات الخلط أسرع بكثير من الأجهزة القياسية.
8. بعد إيقاف تشغيل الجهاز، يرجى الانتظار حتى تتوقف الشفرات تماماً قبل إزالة الغطاء أو الوعاء من قاعدة الموتور.

تحذير



خطر التعرض للصعق بالكهرباء.

يرجى فصل الطاقة قبل تنظيف الجهاز.

قد يؤدي عدم اتباع الإرشادات إلى التعرض للوفاة أو الصعق بالكهرباء.



التنظيف المعتاد:

1. يرجى ملء الوعاء حتى المنتصف بالمياه الدافئة وإضافة نقطتين من سائل غسل الأطباق إلى الوعاء. يرجى إغلاق الغطاء ثنائي الأجزاء بأكمله أو دفعه في موضع القفل.
2. قم بتحديد السرعة المتغيرة 1. يرجى تشغيل الجهاز وزيادة السرعة ببطء إلى السرعة المتغيرة 10 ثم إلى السرعة العالية. يرجى تشغيل الجهاز بالسرعة العالية لمدة 30 إلى 60 ثانية.
3. قم بإيقاف تشغيل الجهاز. يشطف الوعاء ويجفف.

للتعميم:

1. قم بتنفيذ إرشادات "التنظيف المعتاد" الواردة أعلاه.
2. يرجى ملء الوعاء حتى المنتصف بالمياه مع 1 و1/2 ملعقة شاي من سائل مبيض. يرجى إغلاق الغطاء ثنائي الأجزاء بأكمله أو دفعه في موضع القفل.
3. قم بتحديد السرعة المتغيرة 1. يرجى تشغيل الجهاز وزيادة السرعة ببطء إلى السرعة المتغيرة 10 ثم إلى السرعة العالية. يرجى تشغيل الجهاز على السرعة High (المرتفعة) لمدة 30 إلى 60 ثانية.
4. قم بإيقاف تشغيل الجهاز، وترك الخليط في الوعاء لمدة 1 و1/2 دقيقة إضافية.
5. يرجى تبريق خليط المبيض. يرجى ترك الوعاء حتى يجف في الهواء. لا يجب الشطف بعد التعميم.

الغذاء، وسداة الغطاء، والمدك

يرجى فصل الغطاء وسداة الغطاء. يرجى غسل الأجزاء في مياه دافئة بصابون. يرجى الشطف للتنظيف تحت المياه الجارية، ثم التجفيف. يرجى إعادة التجميع قبل الاستخدام.

قاعدة الموتور:

1. يرجى فصل سلك الطاقة.
2. يرجى غسل السطح الخارجي باستخدام قطعة قماش ناعمة أو إسفنج رطبة ثم شطفها في محلول معتدل من سائل تنظيف ومياه دافئة. لا تضع قاعدة الموتور في المياه.
3. يمكن إزالة وسادة التوسيط لمزيد من التنظيف الشامل.
4. يرجى تنظيف المفاتيح تماماً حتى تعمل بحرية. قد تلتصق المفاتيح أو تصبح لزجة نتيجة الاستخدام. قم بتربيط عود تنظيف أذن باستخدام مزبل شحوم أو منظف منزلي وقم بتنظيف الحزوز الموجودة حول المفاتيح. قم بتجفيف كل الأسطح على الفور.
5. قم بالتلميع باستخدام قطعة قماش ناعمة.

المواصفات

فولت: 100 فولت تيار متردد (اليابان)	فولت: 120 فولت تيار متردد
الوات: 900 (2 الذروة الحصانية*)	أمبير: 11.5 (2+ الذروة الحصانية*)
الوات: 975 (3+ الذروة الحصانية*)	12.5 (3+ الذروة الحصانية*)
هرتز: 60/50	هرتز: 60/50

فولت: 120 فولت تيار متردد	فولت: 220 إلى 240 فولت تيار متردد
الوات: 750 (2+ الذروة الحصانية*)	الوات: 850 (2+ الذروة الحصانية*)
أمبير: 11.5 (2+ الذروة الحصانية*)	الوات: 1100 إلى 1200 (3+ الذروة الحصانية*)
هرتز: 60	هرتز: 60/50

*يختلف ذلك حسب الجهد



Vita-Mix® Corporation
8615 Usher Road
.Cleveland, OH 44138 U.S.A
vitamix.com

حقوق الطبع والنشر © لعام 2016 محفوظة لشركة Vita-Mix® Corporation. لا يجوز نسخ أي جزء من هذا المنشور، أو نقله بأي شكل أو بآلية وسيطة، أو تخزينه في قاعدة بيانات أو نظام استرجاع دون الحصول على إذن كتابي من Vita-Mix® Corporation.

ENG/FC/SPA 2016/11 المراجعة أ_124065